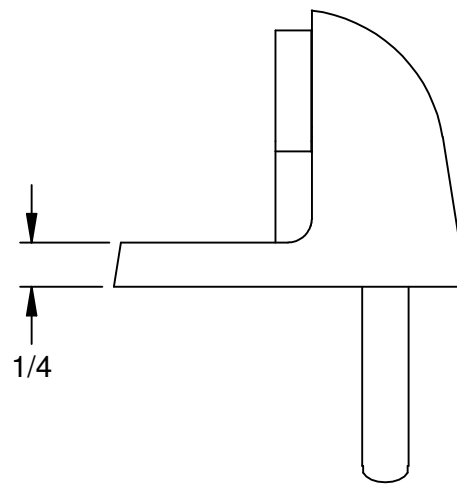
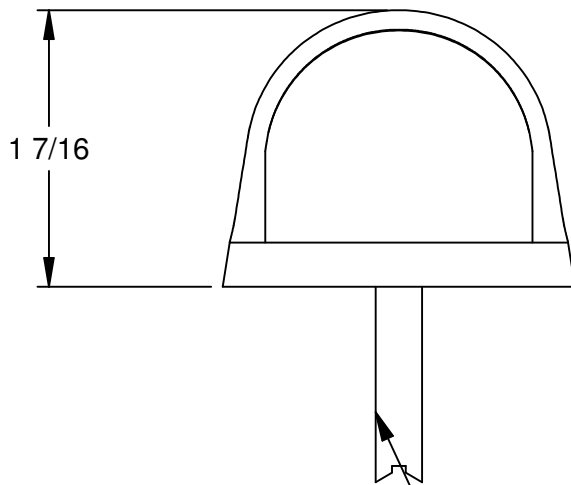


For wood floors: drill 3/16" dia pilot hole for wood screws  
For cement floors: drill 1/2" dia x 1 1/4" deep hole for lead anchor and machine screw



Drill 1/4" x 1" deep hole for anti-rotation lug  
for wood and cement floors

**FASTENERS PROVIDED:**  
1 ea 1/4-20 X 1" FH, PH, MS  
1 ea 1/4-20 Lead Anchor  
1 ea #14 X 1-1/2" FH, PH, SMS  
1 ea #14 Plastic Bantam

7-5-12 Revision supercedes 3/6/08 Version. Installation verbage added, and "drill 1/4 dia" for anti-rotation lug was "drill 5/8" dia".

**NOTE: This template is provided for use only on the job for which is was requested. Trimco reserves the right to make design changes without notice. Trimco will not be responsible for errors or damage caused by the use of out-of-date templates.**

**DATE**

**7/5/12, JG**