

INSTALLATION INSTRUCTIONS

- (1) TO LOCATE THE TOP MOUNTING HOLE FOR THE STABILIZERS MEASURE $5 \frac{13}{16}$ " DOWN FROM THE CENTERLINE OF THE STRIKE OR DEVICE. MEASURE DOWN ANOTHER $\frac{5}{8}$ " FOR THE LOWER HOLE. (FIG. 1)

THE VERTICAL CENTERLINE CAN BE LOCATED BY MEASURING $\frac{29}{32}$ " BACK FROM THE FRONT SURFACE OF THE MULLION EDGING. (FIG. 2) TWO #10-24 HOLES SHOULD BE TAPPED IN THE MULLION WHERE THE CENTERLINES INDICATE. INSERT STABILIZER SHIM FOR CORRECT HEIGHT.

- (2) FOR LOCATING THE CENTERLINE ON THE DOOR, MEASURE DOWN $5 \frac{13}{16}$ " FROM THE CENTERLINE OF DEVICE. THEN MEASURE DOWN $\frac{5}{8}$ " FOR THE LOWER HOLE. (FIG. 1)

TO LOCATE THE STABILIZER VERTICALLY ON THE DOOR, PULL THE DOOR CLOSED AND HOLD THE STABILIZER IN POSITION ON THE DOOR ALLOWING FOR THE $\frac{1}{16}$ " CLEARANCE. (FIG. 2) THE CENTERS CAN THEN BE MARKED. TWO #10-24 HOLES SHOULD THEN BE TAPPED IN THE DOOR AT THESE CENTERLINES.

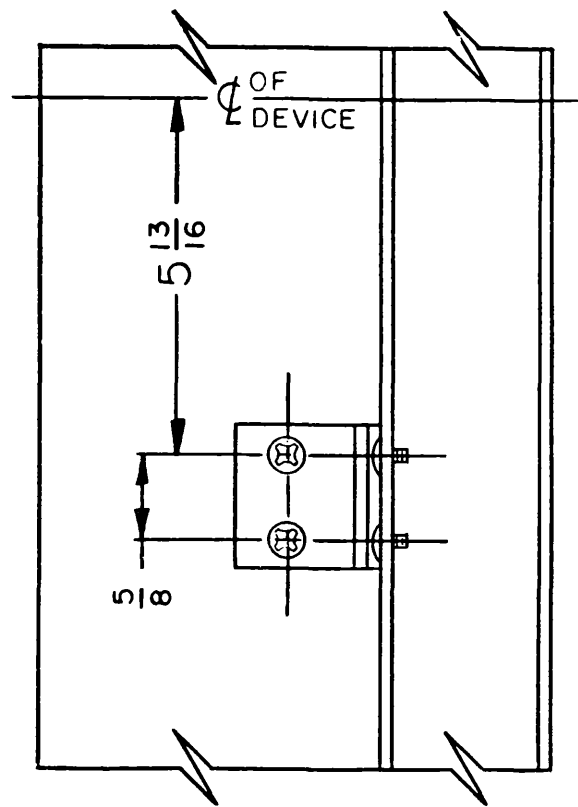


FIG. 1

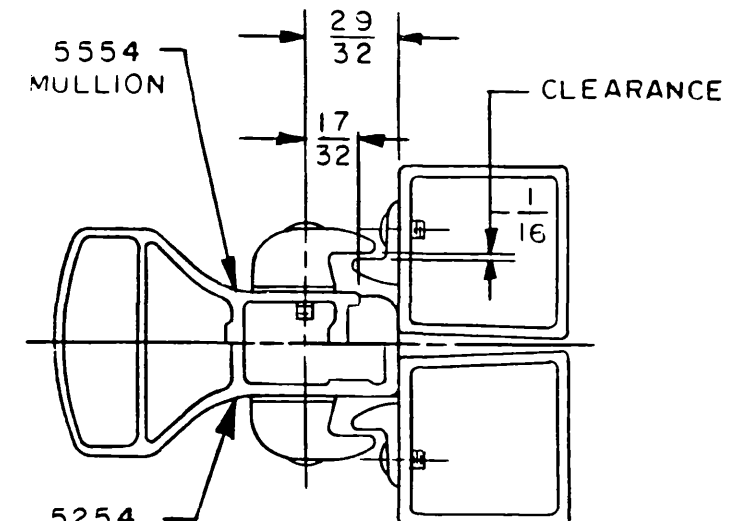


FIG. 2

DESCRIPTION: 154 MULLION STABILIZER	VON DUPRIN Part of worldwide Ingersoll-Rand	
	DIRECTION NUMBER: 941029-00(0)	DATE