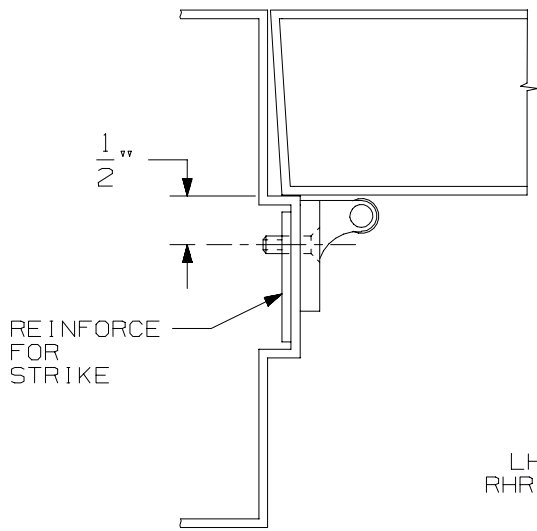
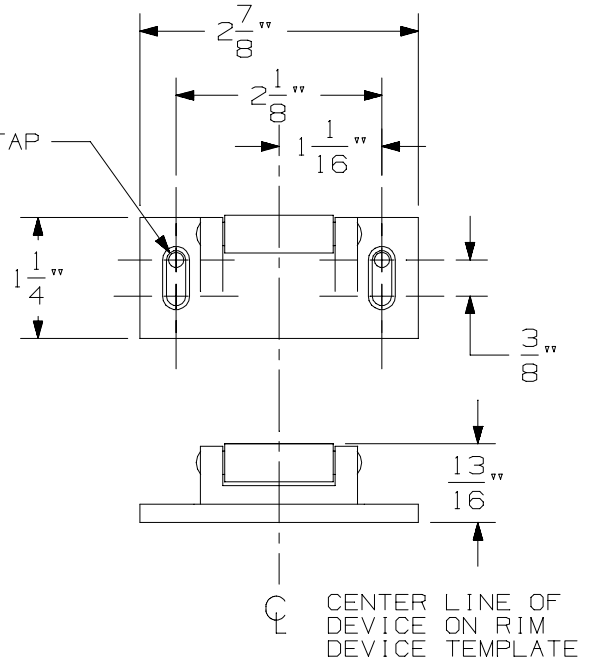


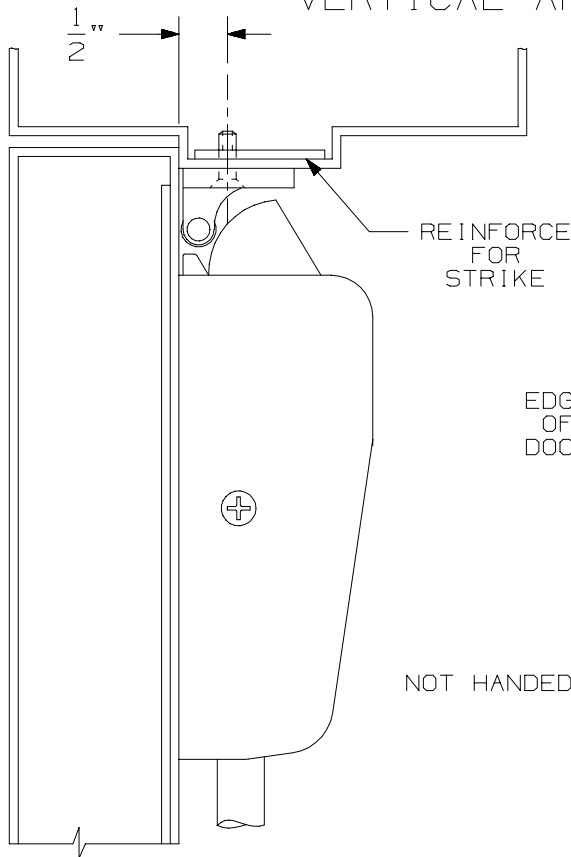
# RIM APPLICATION



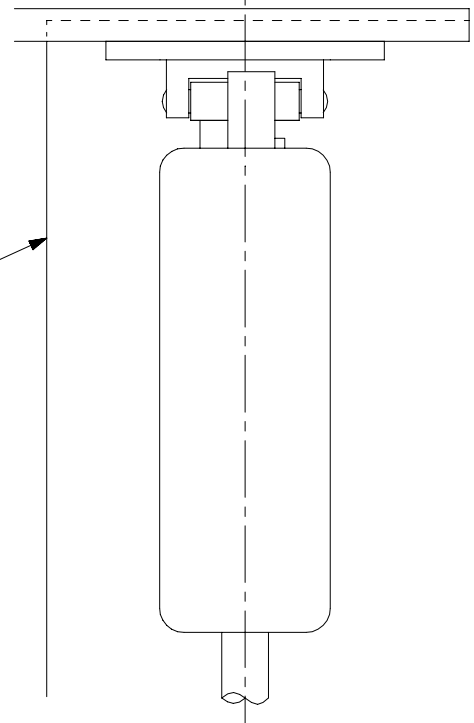
#10-24 TAP  
2 HOLES



# VERTICAL APPLICATION



Ⓞ LATCH CASE Ⓞ



NOTE: LATCH CASE MOUNTING HOLES TO BE PREPARED AT INSTALLATION ON DOOR.

299 & 299F STRIKE



NOTE:

TEMPLATE NUMBER:

30039\_9

DATE:

06-23-03