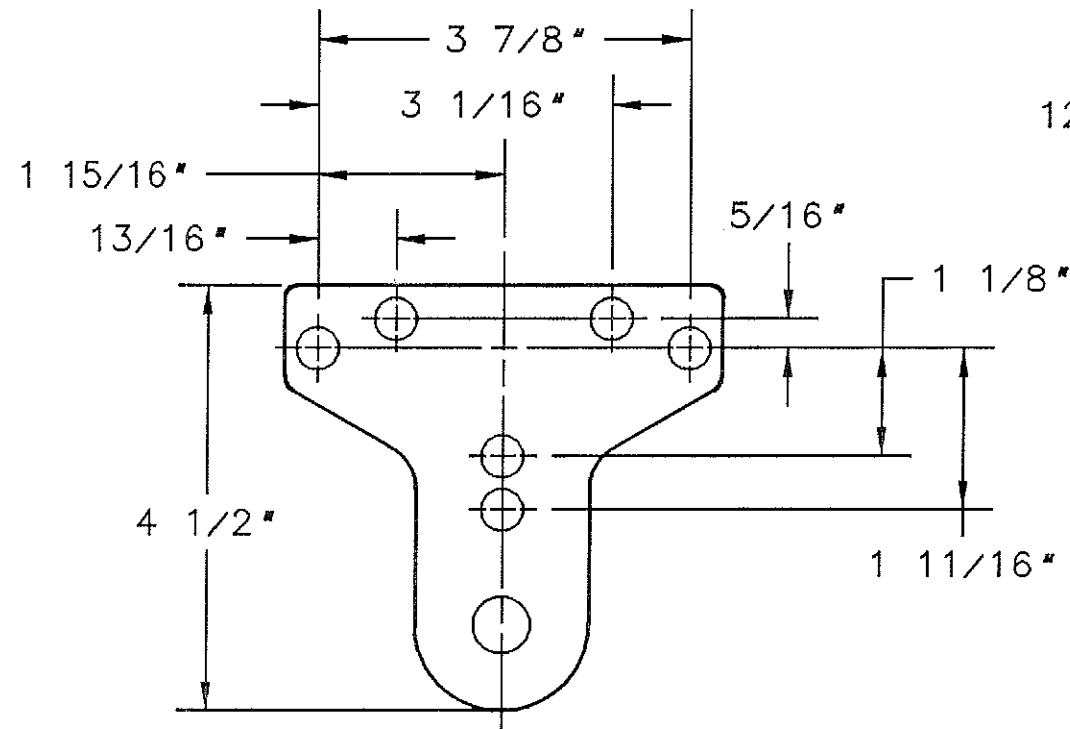
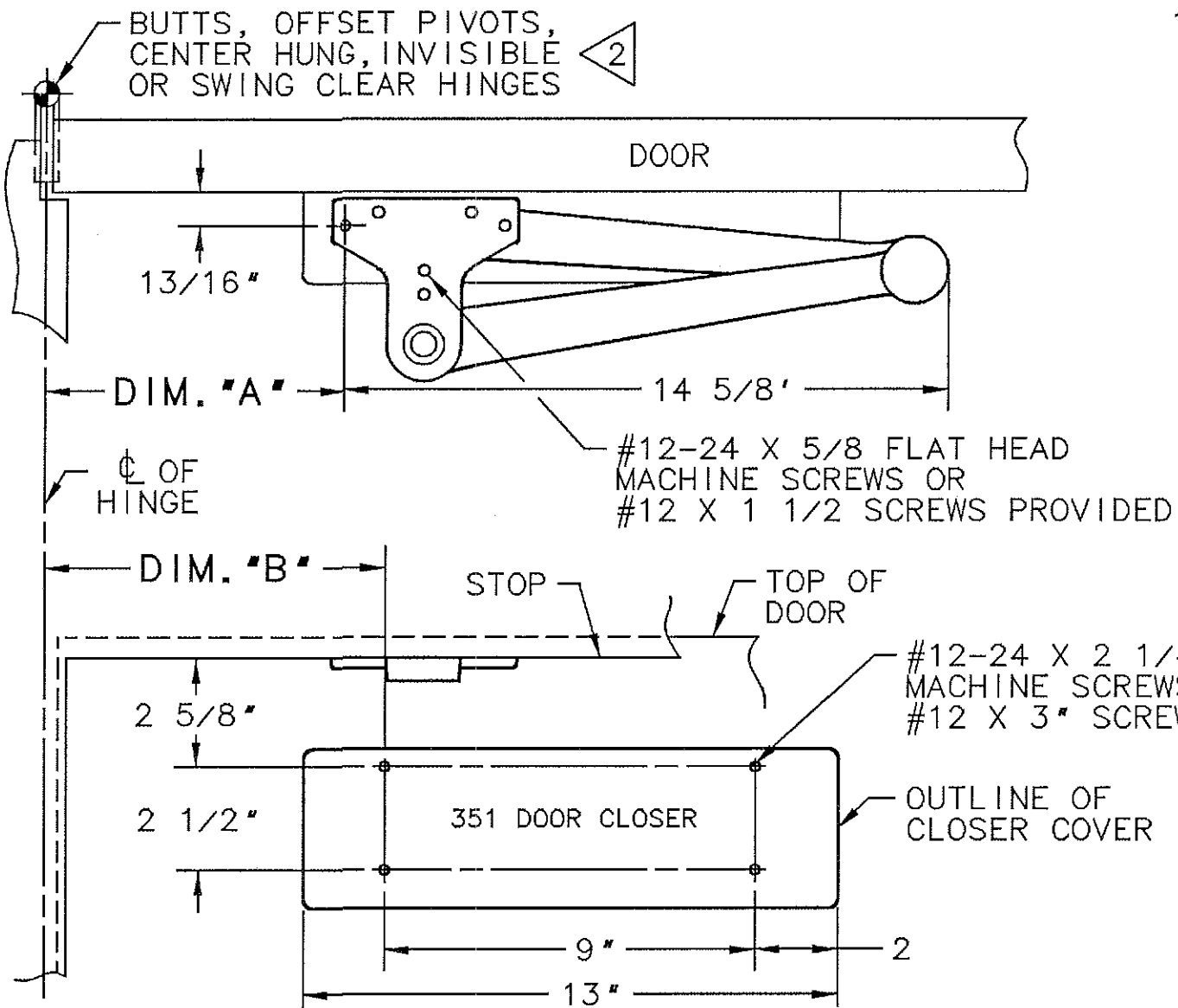
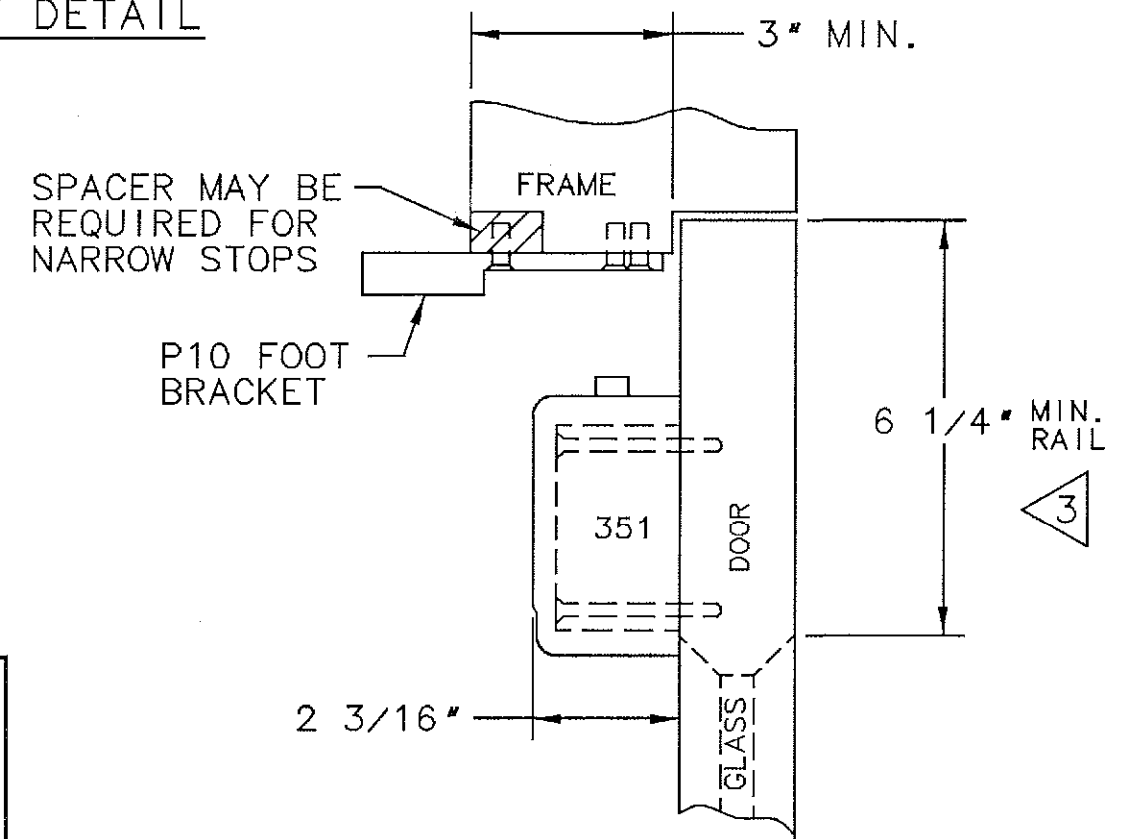
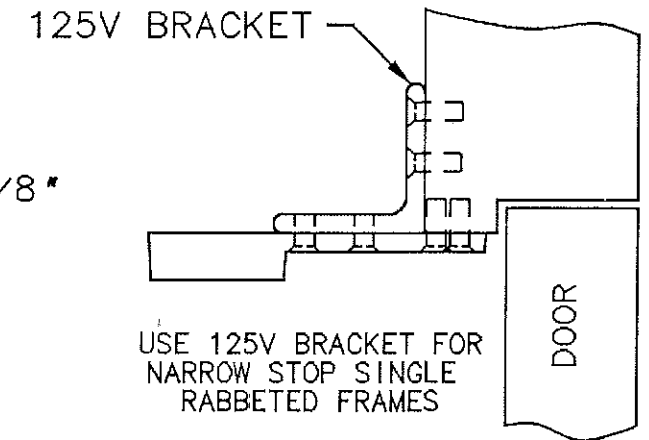


MAX. DEG. OF OPENING	"A"	"B"
120°	7 1/4"	8 1/4"
180°	2"	3"



P10 FOOT BRACKET DETAIL



NOTES:

1. REINFORCE METAL DOORS AND FRAMES PER ANSI A250-8 AND SDI-100 STANDARDS, 12 GAUGE RECOMMENDED.
2. DIM. "A" AND "B" ARE TAKEN FROM THE EDGE OF THE DOOR FOR INVISIBLE HINGES.
3. FOR THIN RAIL DOORS, USE 351-D PLATE, SEE TEMPLATE A6745.
4. LEFT HAND DOOR SHOWN. RIGHT HAND OPPOSITE.

SARGENT Manufacturing Company
100 Sargent Drive New Haven, CT 06511

DATA SHEET: 351 SERIES DOOR
CLOSER WITH P10 OR PH10 HEAVY
DUTY PARALLEL ARM

RELEASE DATE
November 05
TEMPLATE NO.
A7378 C