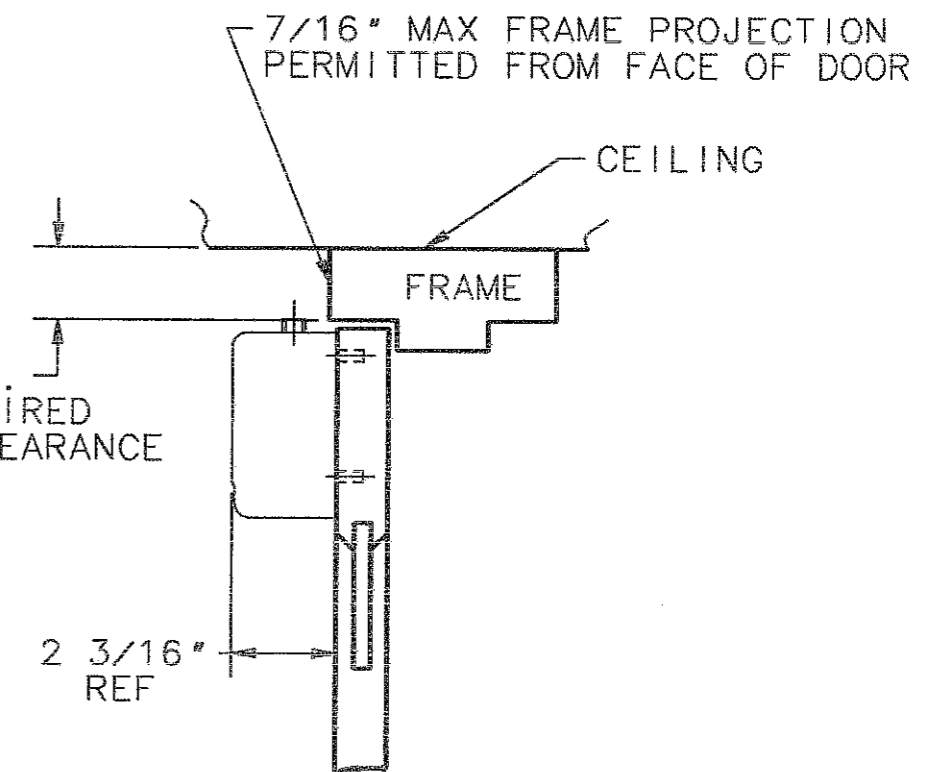
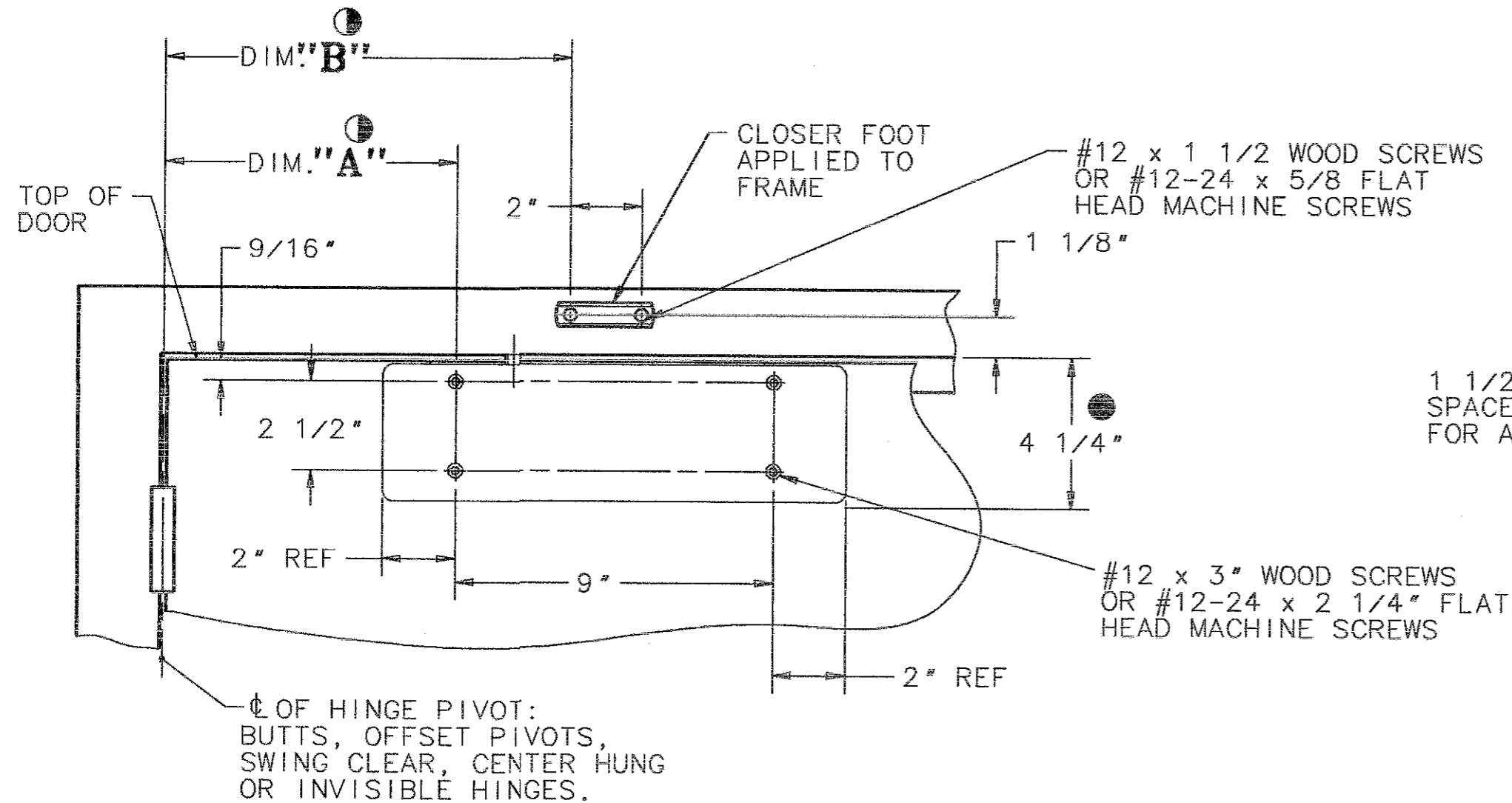


IMPORTANT: USE ALTERNATE MOUNTING IF DOOR CAN OPEN BEYOND LIMITS SHOWN FOR STANDARD MOUNTING

ARM TYPE	MOUNTING	MAX. DOOR OPENING	DIM. "A"	DIM. "B"
REGULAR ARM NO HOLDER	STANDARD	120°	8 3/16"	11 7/16"
	ALTERNATE	160°	6 13/16"	10 1/16"



- ③ IF BUTT, FRAME AND WALL CONDITIONS PERMIT, CLOSER WILL ALLOW DOOR TO OPEN 180°.
- ② RIGHT HAND DOOR SHOWN. LEFT HAND OPPOSITE.
- ① 12 GAUGE MIN. REINFORCEMENT REQUIRED FOR METAL DOORS & FRAMES.

- ⑤ 351-A MOUNTING PLATE MAY BE USED FOR DOOR WITH NARROW TOP RAIL. (SEE DATA SHEET A6772).
- ④ THIS DIMENSION IS TAKEN FROM HINGE EDGE OF DOOR FOR INVISIBLE HINGES.

SARGENT MANUFACTURING COMPANY		NEW HAVEN, CONN. 06511
DATA SHEET: 351 SERIES CLOSER x STANDARD ARM APPLICATION "0" ARM		EFFECTIVE DATE OCT 00
		TEMPLET NO. A6762 E