

STRIKEFORCE® 6111/6111DS Electric Strike

Double Door with Mullion Rim Application



Note: Check with factory for retrofit applications.

1. For lock or device preparation, see their directions. Also see application schedule on other side.
2. Prepare mullion for strike (see other side).
3. Wire strike (Figure 1). (Switches on 6111DS only.)

4. Test strike: Apply solenoid power. Fail secure (FSE) lip unlocks. Fail safe (FS) lip locks. Figure 1 shows status of switches.
5. Install strike with two #12-24 screws. Make sure clearance between latch bolt and strike lip is 1/32" (Figure 2).
6. If latch bolt does not extend far enough to actuate tripper, install extension (Figure 3). (Tripper on 6111DS only.)
7. Test door: With strike unlocked, door opens with latch bolt extended. When door closes, latch bolt rides over strike lip.

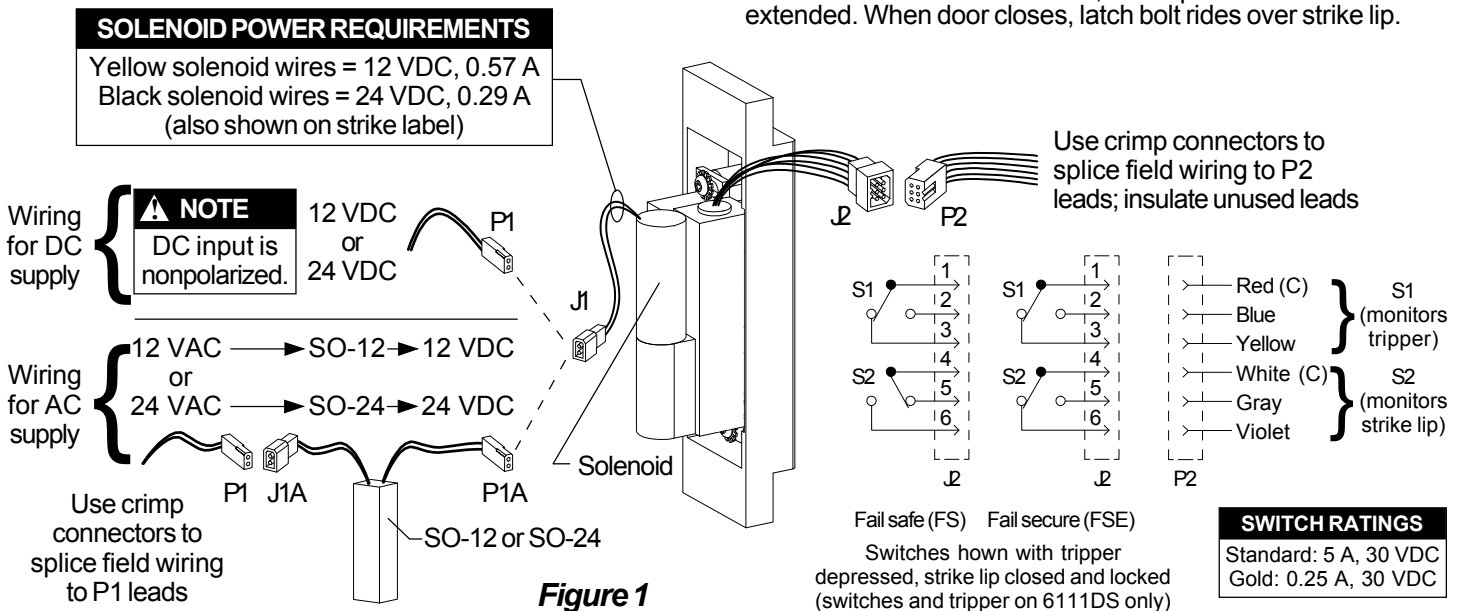


Figure 1

NOTE:
 Static Strength Rating 1500 lb.
 Dynamic Strength Rating 70ft.-lb.
 Endurance Rating 250,000 c.

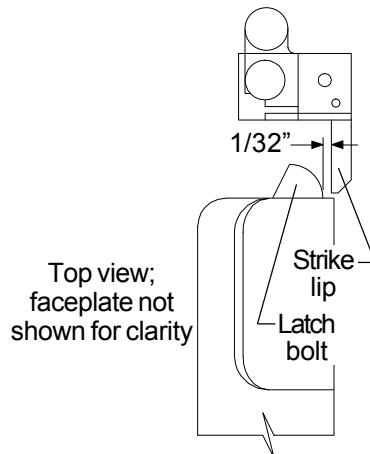


Figure 2

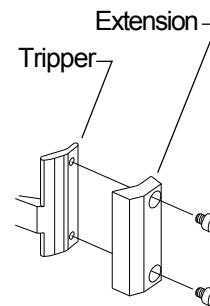
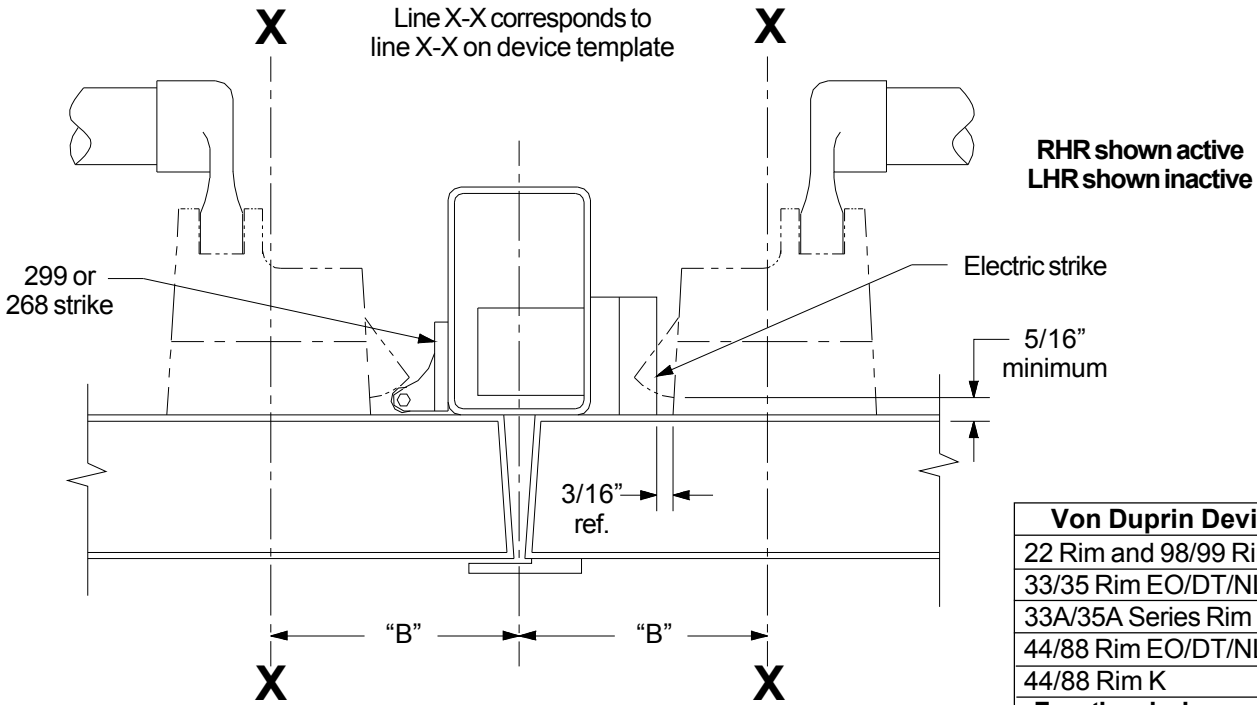
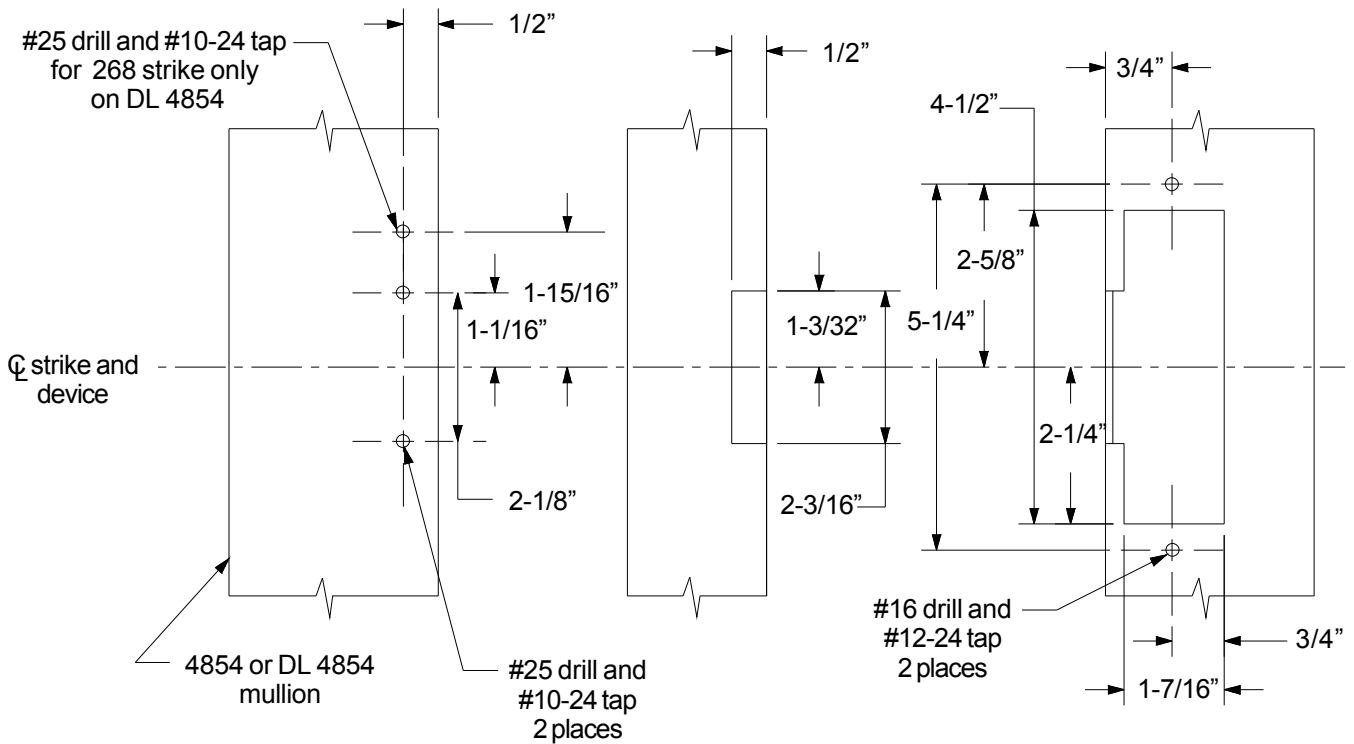


Figure 3



Von Duprin Device	"B"
22 Rim and 98/99 Rim	3-7/16"
33/35 Rim EO/DT/NL/TP	2-13/32"
33A/35A Series Rim	2-15/32"
44/88 Rim EO/DT/NL/TP	3-1/2"
44/88 Rim K	3-3/8"
For other devices, consult factory.	

Application Schedule



Mullion Preparation for Strike