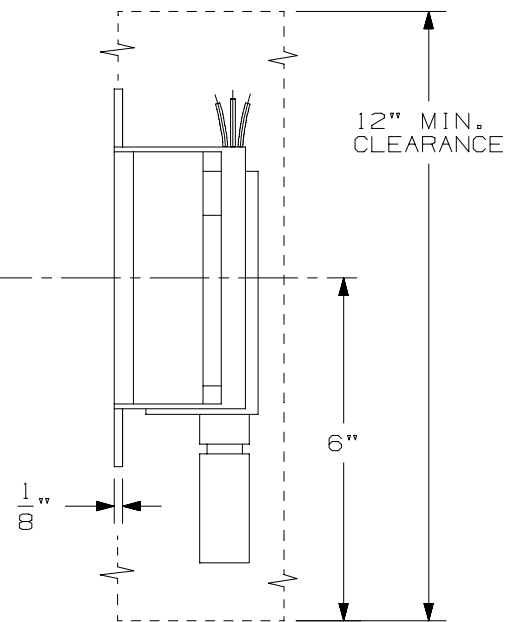
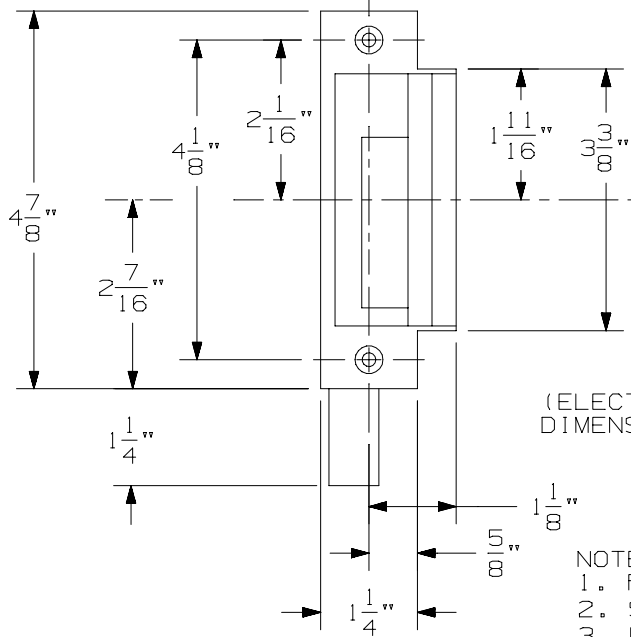
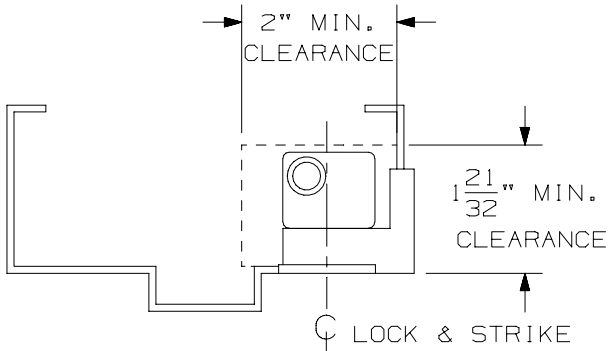
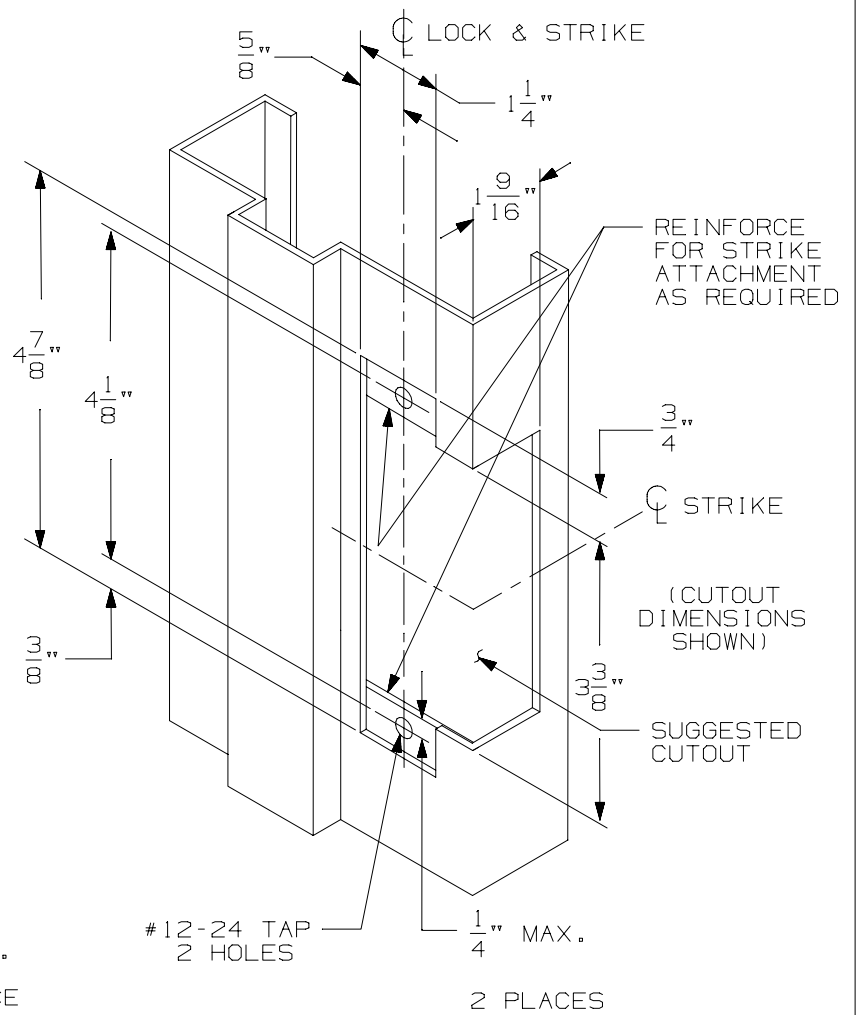


6210 COMPATIBLE WITH	
MANUFACTURER	MODEL #
CORBIN	765L-L9555
SARGENT	8104-LNL
BEST	30H
FALCON	LM521 DG
YALE	8705 F
SCHLAGE	L9000
VON DUPRIN	7500



- NOTE:
1. FEATURE SIZE TOLERANCES ARE +.015 -.000
 2. STRIKE MOUNTS IN STANDARD ANSI LOCATION.
 3. LHR APPLICATION SHOWN, RHR APPLICATION OPPOSITE.

6210 ELECTRIC STRIKE
METAL FRAME APPLICATION



NOTE: SEE MASTER SHEET NO. 10001 FOR SUGGESTED REINFORCING.

TEMPLATE NUMBER: 30001_3

DATE: 7-13-98