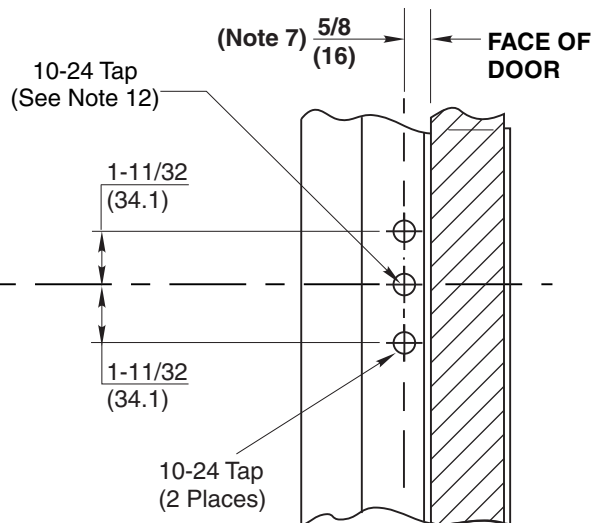
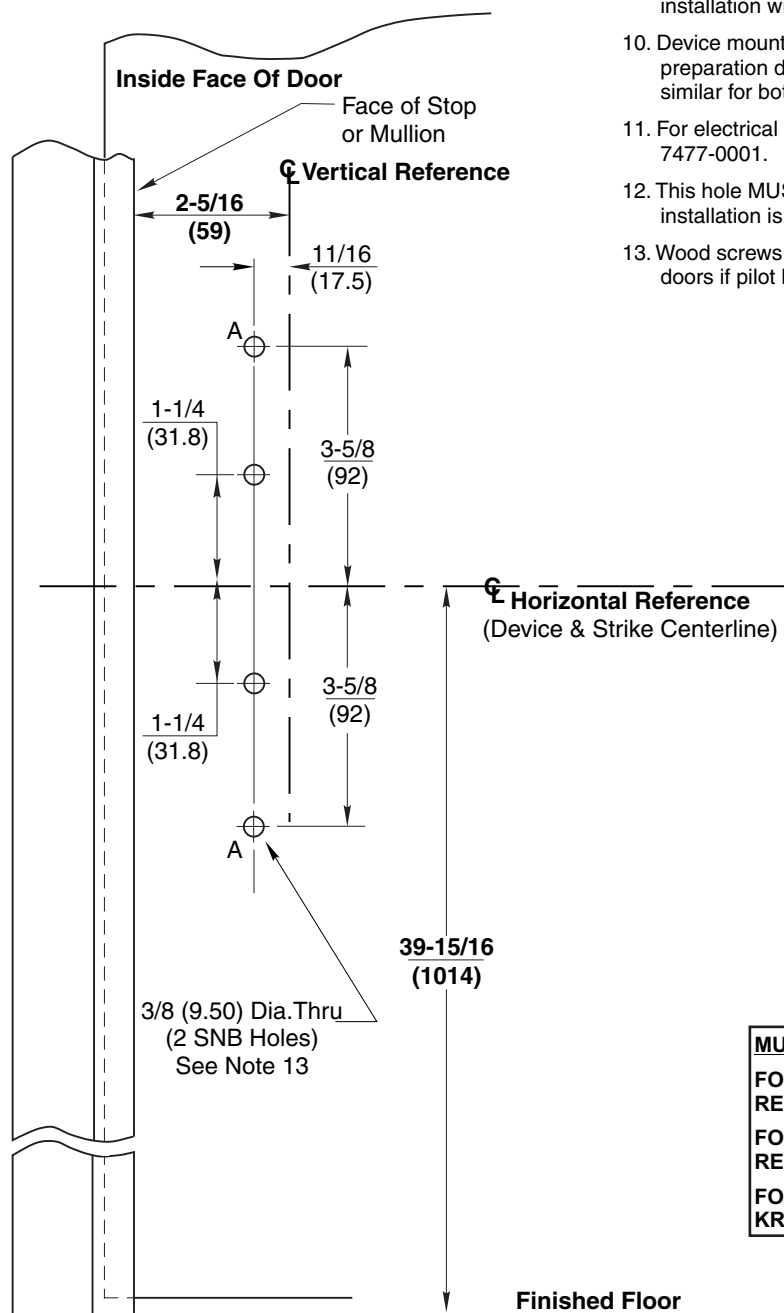


**Notes:**

1. Do not scale drawing.
2. Dimensions are in inches (mm).
3. LHR door shown. Preparation is typical for both door hands.
4. Minimum door stile width: 4-1/2(114).
5. Prepare mounting holes when installing the device.
6. Unreinforced frames require blind rivet nuts (by others) to mount the strike.
7. Dimension from door face.
8. For outside trim preparation see appropriate trim template.
9. Provide adequate structural support to maintain door integrity after device installation with power tools, door use, or abuse.
10. Device mount to hinge stile (not shown) requires hole location and preparation during device installation. Door structural requirements are similar for both door stiles.
11. For electrical devices (suffixes "-B", "-G", "-O", "-P", "-S") also see template 7477-0001.
12. This hole MUST be field located using physical part as template, after installation is complete and device is fully operational.
13. Wood screws (#14x1-1/4"RHWS, by others) permitted for solid core wood doors if pilot holes are used for installation.



**MULLION NOTE:**  
 FOR MULLION MODEL NUMBERS M100(F) AND KRM100(F) REFER TO TEMPLATE NUMBER 7400-0100.  
 FOR MULLION MODEL NUMBERS M200(F) AND KRM200(F) REFER TO TEMPLATE NUMBER 7400-0200.  
 FOR MULLION MODEL NUMBERS M200FWS AND KRM200FWS REFER TO TEMPLATE NUMBER 7400-0210.

**7150 and 7155 SquareBolt® Panic Devices with 757F Strike**  
 Application for Wood or Composite Door  
 and H.M. Frame or Mullion (Not for Fire Labeled Devices)



An ASSA ABLOY Group brand  
 www.yalecommercial.com

TEMPLATE NUMBER  
 7470-1050

DATE  
 03-08