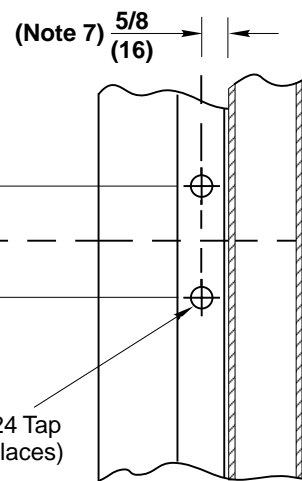
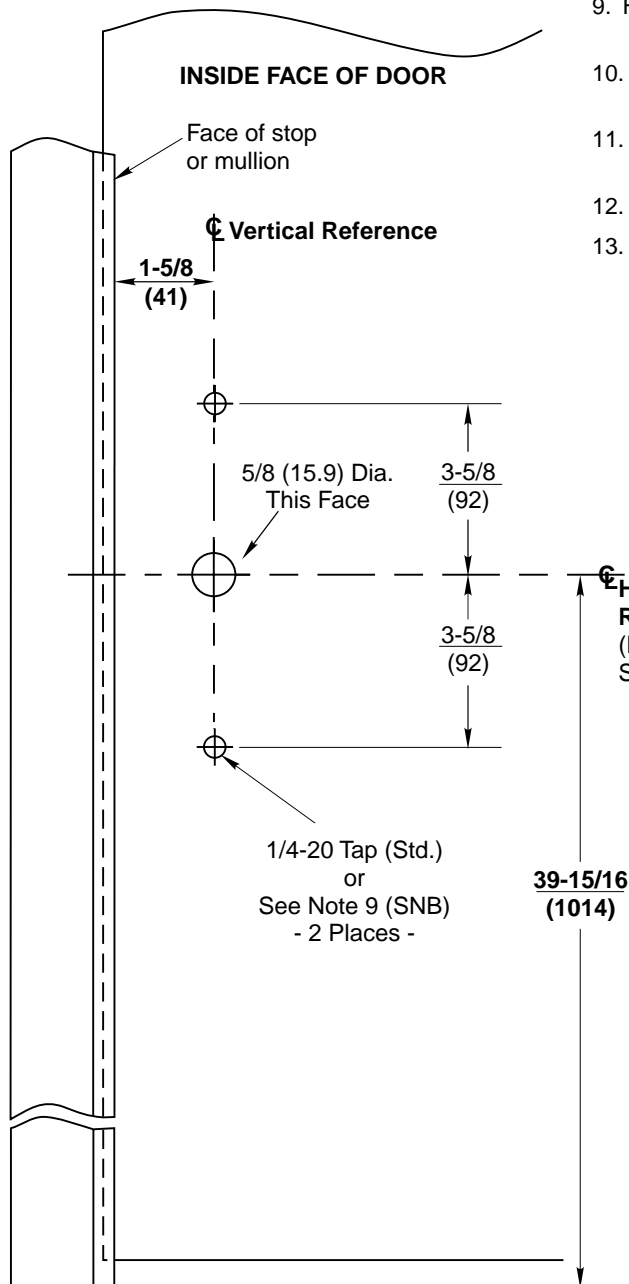


**Notes:**

1. Do not scale drawing.
2. Dimensions are in inches(mm).
3. LHR door shown. Preparation is typical for both door hands.
4. Minimum door stile width: 3-1/2(89).
5. Prepare mounting holes when installing the device.
6. Unreinforced frames require blind rivet nuts (by others) to mount the strike.
7. Dimension from door face.
8. For recommended door reinforcements see template 7400-0000. Unreinforced doors require SNB option to mount the device componenets.
9. Holes for optional SNB: 9/32(7.00) dia., inside door face; 3/8 (9.50) dia., outside door face.
10. Provide door stiffeners, as needed to prevent door collapse due to installation with power tools, door use, or abuse.
11. Device mount to hinge stile (not shown) requires hole location and preparation during device installation.
12. For trim preparation see appropriate trim template.
13. For electrical devices (suffixes "-B","-G","-O","-P","-S") also see template 7477-0001.



**Strike Preparation Detail**

**MULLION NOTE:**  
 FOR MULLION MODEL NUMBERS M100(F) AND KRM100(F) REFER TO TEMPLATE NUMBER 7400-0100.  
 FOR MULLION MODEL NUMBERS M200(F) AND KRM200(F) REFER TO TEMPLATE NUMBER 7400-0200.  
 FOR MULLION MODEL NUMBERS M200FWS AND KRM200FWS REFER TO TEMPLATE NUMBER 7400-0210.

**7200M & 7205M Rim Panic Devices  
 for Narrow Escutcheon Trim - 757 Strike**  
 Application for Metal Door and  
 Frame or Mullion (Not for Fire Labeled Devices)



An ASSA ABLOY Group brand  
 www.yalecommercial.com

TEMPLATE NUMBER  
 7473-0000

DATE  
 02-08