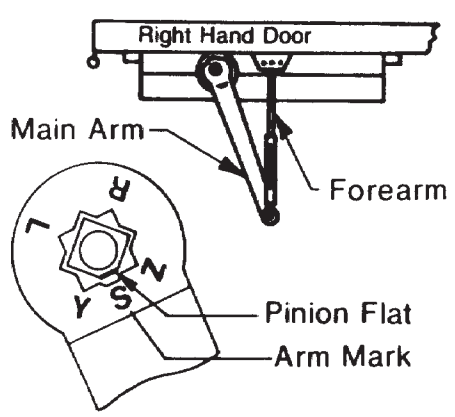
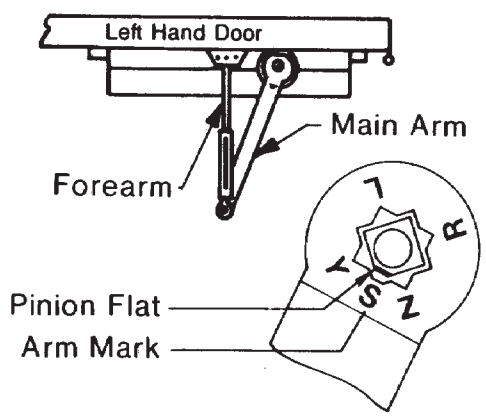


Opening	Dimension "A"	
	inches	mm.
To 100°	7-1/2	191
100° to 130°	6	152
Over 130°	4-1/2	114

**Position of Arm and Pinion Flat**



- Do not scale drawing.
- Right hand door shown.
- Dimensions are in inches (mm.).
- Hollow metal doors require channel or box type reinforcement when thru bolt mount is specified.
- Sex bolts required for wood or plastic faced fire door mounting.
- Minimum thickness recommended for reinforcements in hollow metal doors and frames: .1046" (2.66 mm.) unless otherwise noted.

**8000 Series Door Closer  
Regular Arm Application  
8100, 8300, and 8500  
Sizes 1 Thru 6**



ASSA ABLOY

www.nortondoorcontrols.com

TEMPLATE NUMBER

**7380-0101**

DATE

**09-08**