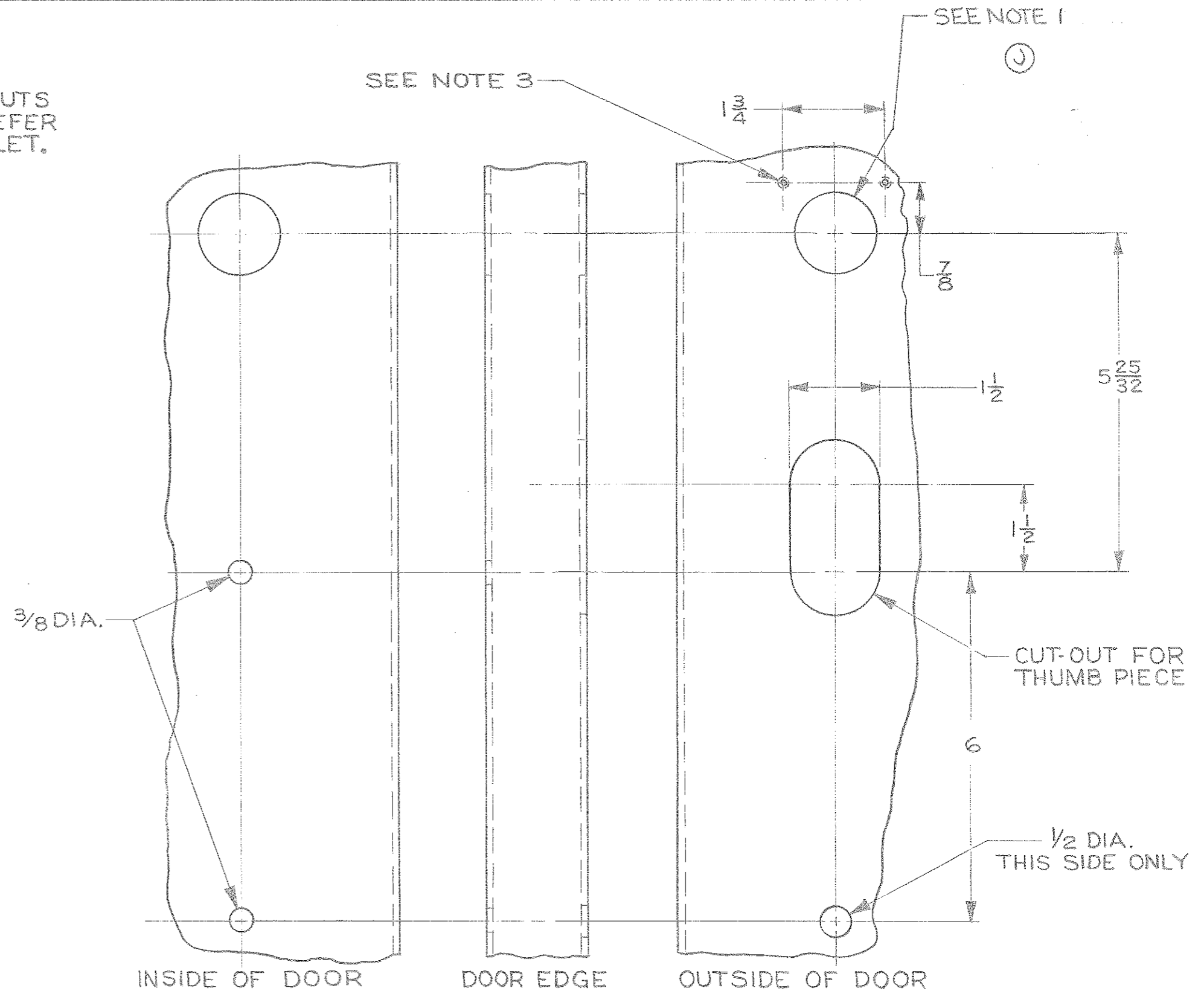
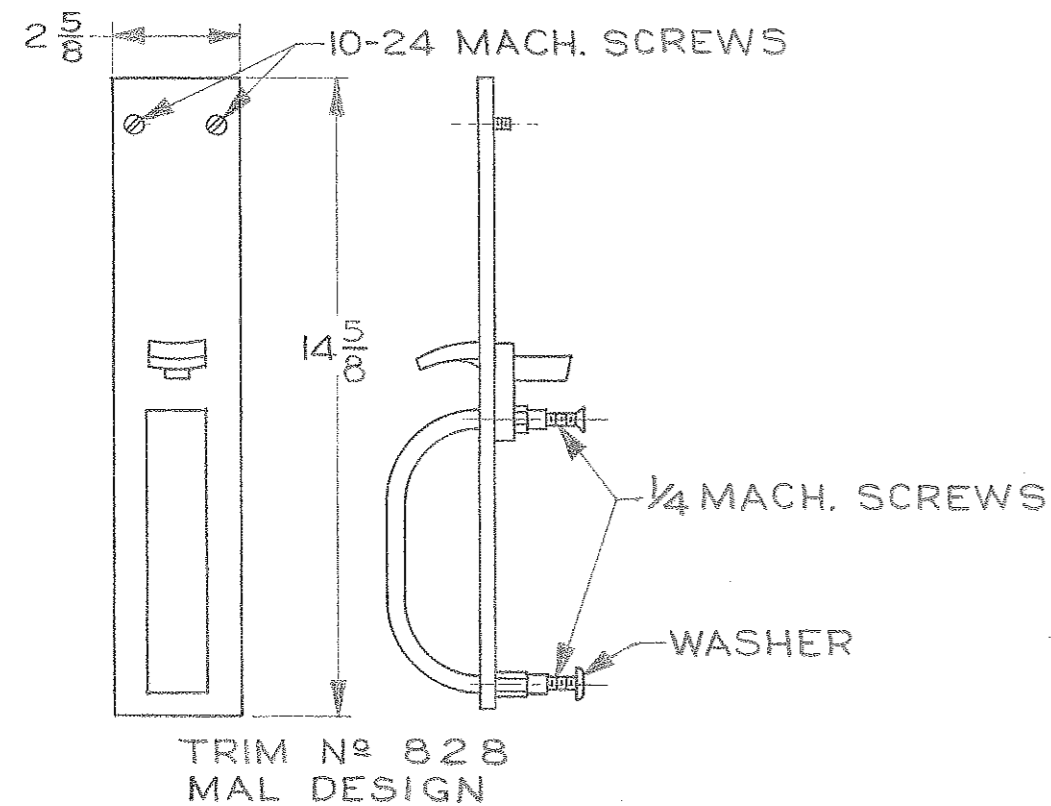


IMPORTANT:  
FOR ADDITIONAL CUT-OUTS  
ON INSIDE OF DOOR REFER  
TO EXIT DEVICE TEMPLT.



② REFER TO EXIT DEVICE TEMPLT FOR  
LOCATION OF VERTICAL AND HORIZONTAL  
CENTER LINE OF CYLINDER.

① 1  $\frac{3}{8}$ " DIA. HOLE THRU DOOR EXCEPT FOR 6300, ①  
12-6300, 8300, 12-8300, 9300 & 12-9300 EXIT DEVICE;  
HOLE OUTSIDE OF DOOR ONLY. OMIT THIS HOLE WHEN  
828 TRIM IS USED.

③ (2) 10-24 TAPPED HOLES. WE RECOMMEND  
THAT THESE BE DRILLED AND TAPPED  
WHEN APPLYING TRIM.

SARGENT & COMPANY

NEW HAVEN, CONN. 06509

METAL DOOR TEMPLT:  
MAL TRIM

RELEASE DATE

30 MAY 89

TEMPLT NO.

4024 J