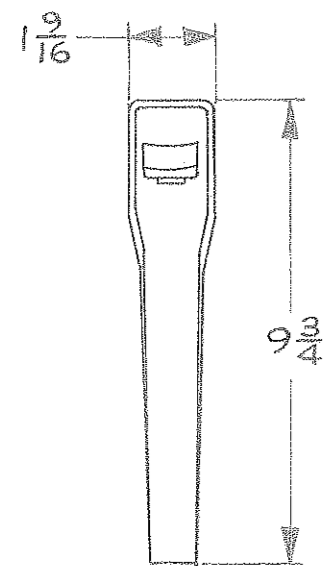
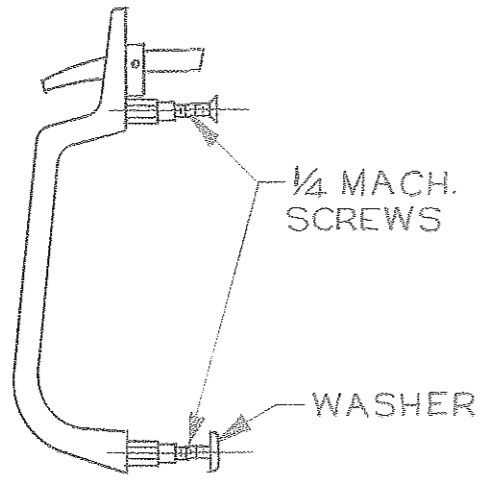
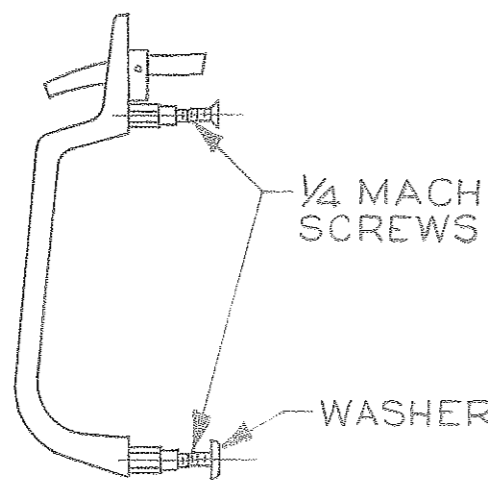


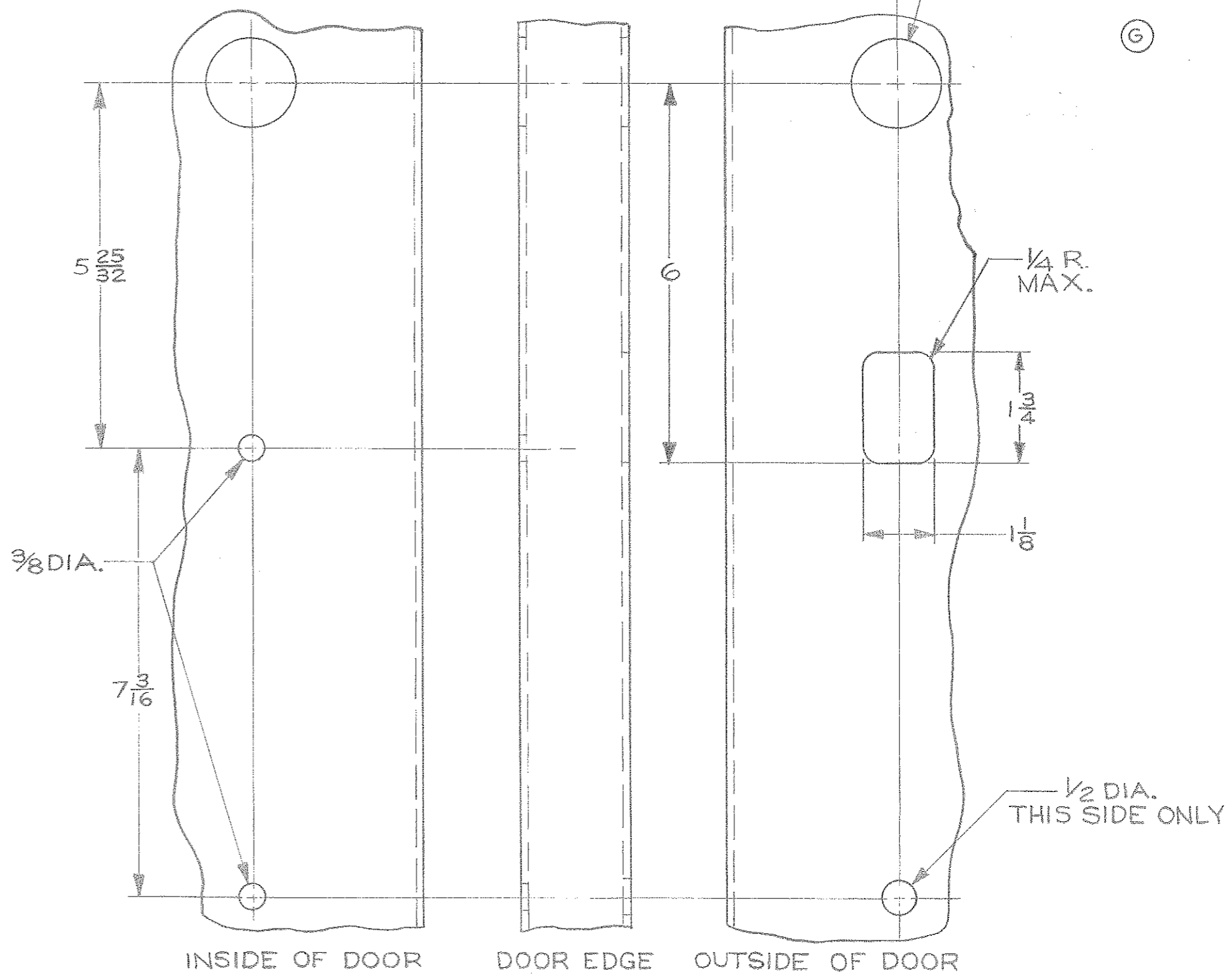
TRIM No 896
STS DESIGN



TRIM No 886
STS DESIGN



IMPORTANT:
FOR ADDITIONAL CUT-OUTS
ON INSIDE OF DOOR REFER
TO EXIT DEVICE TEMPLAT.



- ② REFER TO EXIT DEVICE TEMPLAT FOR LOCATION OF VERTICAL AND HORIZONTAL CENTER LINE OF CYLINDER.
- ① 1 3/8" DIA. HOLE THRU DOOR EXCEPT FOR 6300, 12-6300, 8300, 12-8300, 9300 AND 12-9300 EXIT DEVICE; HOLE OUTSIDE OF DOOR ONLY. OMIT THIS HOLE WHEN 886 TRIM IS USED.

SARGENT & COMPANY		NEW HAVEN, CONN. 06509	
METAL DOOR TEMPLAT; STS TRIM		RELEASE DATE	30 MAY 89
		TEMPLAT NO.	4021 G