



*In or Out... we make it Easy!*

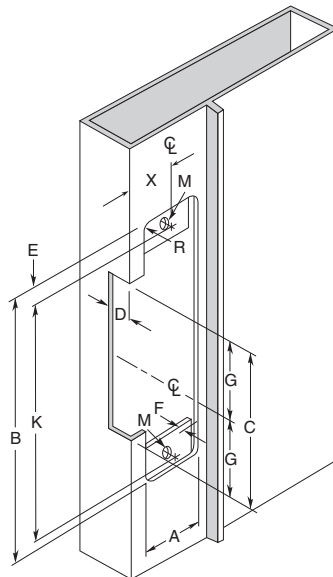
## Instructions

The L65 Low Profile version accepts 1/2" or 5/8" latch projection (perfect for narrow stile aluminum frames). The S65 Standard version is ideal when you require 3/4" latch projection.

- Determine the vertical centerline of the door lock face and the horizontal centerline of the latch.  
**IMPORTANT:** When determining the horizontal centerline observe the following:  
**FOR MORTISE LOCKS:** Align the angled ramps of the lip bracket with the deadlock trigger of the mortise latch.  
**FOR CYLINDRICAL LOCKS:** Align the center of the latch with the center of the strike opening.\*\*
- Transfer both the horizontal and vertical centerlines to the doorframe.\*\*
- Prepare the doorframe for cutting as shown in the appropriate drawing.
- If required, install the 'no weld' mounting brackets per page 4.
- Attach the strike faceplate to the lip bracket with the self-tapping screws provided. (It may be desirable to leave these screws slightly loose to facilitate insertion into the doorframe.)
- Connect the incoming wiring from the power supply (see wiring instructions).
- Install the door strike in the doorframe using the screws provided.

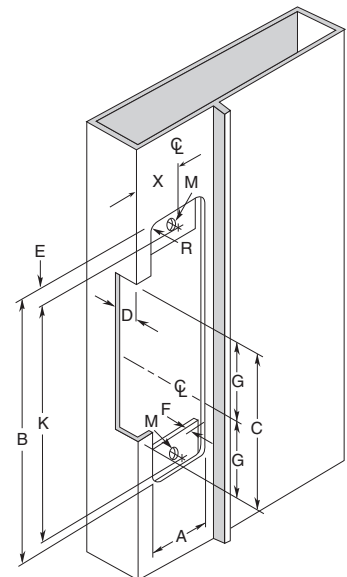
### S6504 Aluminum Frames, 1-3/16" D Modular AS65 with B604 faceplate

MEASUREMENT	FRACTIONAL INCHES	DECIMAL INCHES	METRIC mm
A	1-1/4	1.250	31.75
B	4-7/8	4.875	123.83
C	3-3/8	3.375	85.73
D	1-3/16	1.188	30.16
E	3/8	.375	9.53
F	1/8*	.125*	3.18*
G	1-11/16	1.688	42.86
X	Vertical Centerline of Door**		
R	5/32	0.156	3.97
K	4-1/8	4.125	104.78
M	12-24	—	—



### L6504 Aluminum Frames, 1-1/16" D Modular AL65 with B604 faceplate

MEASUREMENT	FRACTIONAL INCHES	DECIMAL INCHES	METRIC mm
A	1-1/4	1.250	31.75
B	4-7/8	4.875	123.83
C	3-3/8	3.375	85.73
D	1-3/32	1.094	27.78
E	3/8	.375	9.53
F	1/8*	.125*	3.18*
G	1-11/16	1.688	42.86
X	Vertical Centerline of Door**		
R	5/32	0.156	3.97
K	4-1/8	4.125	104.78
M	12-24	—	—



**NOTE:** Specifications subject to change without notice.

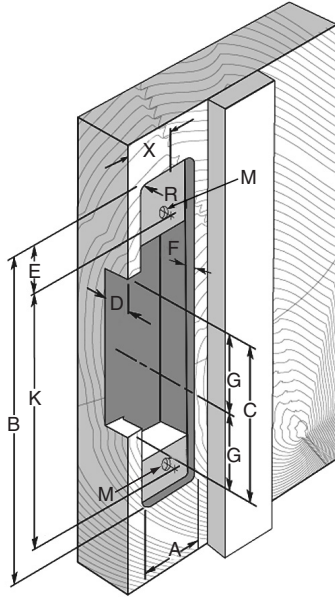
\* **Dimension F** is measured from face of mounting tab to face of frame and equates to the thickness of the faceplate.

\*\* **Dimension X** on the drawing is determined by the vertical centerline of the door. If the latch incorporates a deadlocking pin additional steps will be necessary to ensure proper operation of the deadlocking pin. Measure the thickness of the deadlocking pin and add this thickness to Dimension X to relocate the vertical centerline an appropriate distance on the frame.

## 6 Series Installation Instructions (Continued)

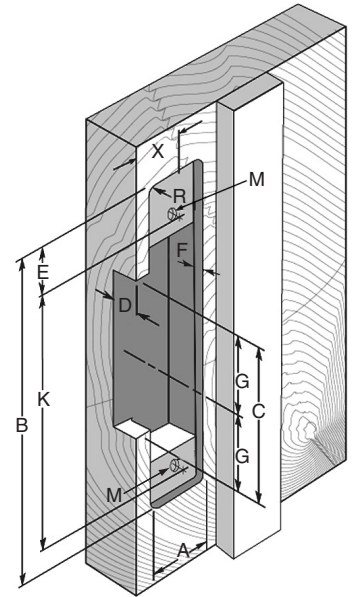
### S6505 Aluminum & Wood Frames, 1-3/16" D Modular AS65 with B605 faceplate

MEASUREMENT	FRACTIONAL INCHES	DECIMAL INCHES	METRIC mm
A	1-1/8	1.125	28.58
B	5-7/8	5.875	149.23
C	3-3/8	3.375	85.73
D	1-3/16	1.188	30.16
E	1/4	0.250	6.35
F	1/8*	.125*	3.18*
G	1-11/16	1.688	42.86
X	Vertical Centerline of Door**		
R	5/32	.156	3.97
K	5-3/8	5.375	136.53
M	12-24†	—	—



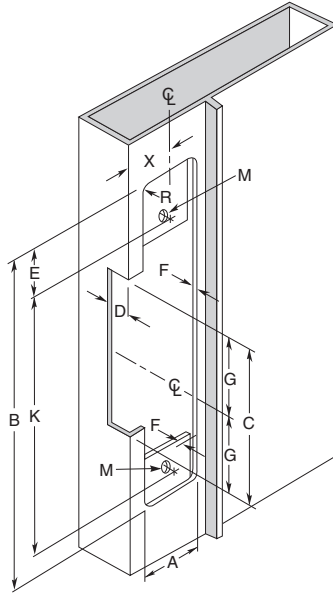
### L6505 Aluminum & Wood Frames, 1-1/16" D Modular AL65 with B605 faceplate

MEASUREMENT	FRACTIONAL INCHES	DECIMAL INCHES	METRIC mm
A	1-1/8	1.125	28.58
B	5-7/8	5.875	149.23
C	3-3/8	3.375	85.73
D	1-3/32	1.094	27.78
E	1/4	0.250	6.35
F	1/8*	.125*	3.18*
G	1-11/16	1.688	42.86
X	Vertical Centerline of Door**		
R	5/32	.156	3.97
K	5-3/8	5.375	136.53
M	12-24†	—	—



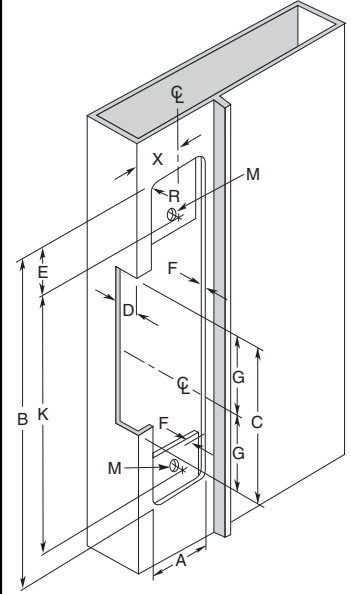
### S6507 Aluminum & Wood Frames, 1-3/16" D Modular AS65 with B607 faceplate

MEASUREMENT	FRACTIONAL INCHES	DECIMAL INCHES	METRIC mm
A	1-1/4	1.250	31.75
B	6-7/8	6.875	174.63
C	3-3/8	3.375	85.73
D	1-3/16	1.188	30.16
E	3/8	0.375	9.53
F	1/8*	.125*	3.18*
G	1-11/16	1.688	42.86
X	Vertical Centerline of Door**		
R	5/32	.156	3.97
K	6-1/8	6.125	155.58
M	12-24†	—	—



### L6507 Aluminum & Wood Frames, 1-1/16" D Modular AL65 with B607 faceplate

MEASUREMENT	FRACTIONAL INCHES	DECIMAL INCHES	METRIC mm
A	1-1/4	1.250	31.75
B	6-7/8	6.875	174.63
C	3-3/8	3.375	85.73
D	1-3/32	1.094	27.78
E	3/8	0.375	9.53
F	1/8*	.125*	3.18*
G	1-11/16	1.688	42.86
X	Vertical Centerline of Door**		
R	5/32	.156	3.97
K	6-1/8	6.125	155.58
M	12-24†	—	—



**NOTE:** Specifications subject to change without notice.

\* **Dimension F** is measured from face of mounting tab to face of frame and equates to the thickness of the frame material.

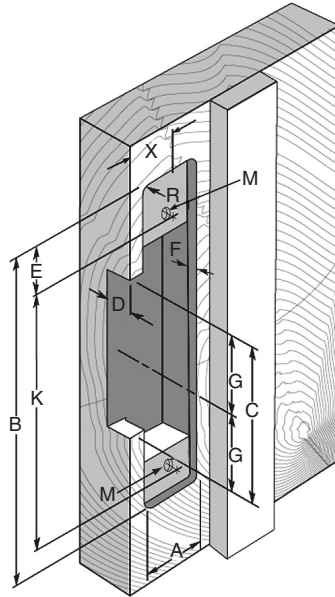
\*\* **Dimension X** on the drawing is determined by the vertical centerline of the door. If the latch incorporates a deadlocking pin additional steps will be necessary to ensure proper operation of the deadlocking pin. Measure the thickness of the deadlocking pin and add this thickness to Dimension X to relocate the vertical centerline an appropriate distance on the frame.

† For wood frame door installations, substitute #12 wood screws for dimension M.

## 6 Series Installation Instructions (Continued)

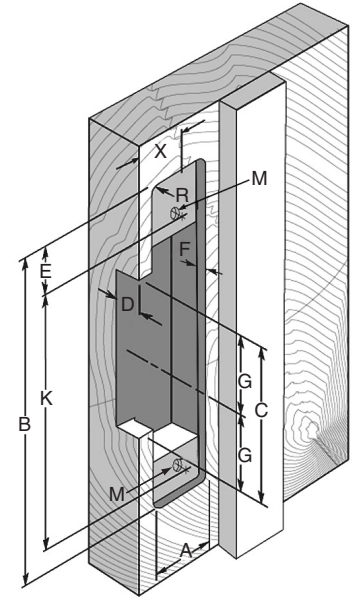
### S6508 Aluminum & Wood Frames, 1-3/16" D Modular AS65 with B608 faceplate

MEASUREMENT	FRACTIONAL INCHES	DECIMAL INCHES	METRIC mm
A	1-7/16	1.438	36.51
B	7-15/16	7.938	201.61
C	3-3/8	3.375	85.73
D	1-3/16	1.188	30.16
E	1/4	0.250	6.35
F	1/8*	.125*	3.18*
G	1-11/16	1.688	42.86
X	Vertical Centerline of Door**		
R	5/32	.156	3.97
K	7-7/16	7.438	188.91
M	12-24†	—	—



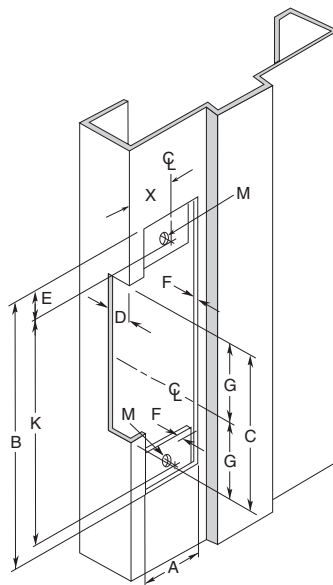
### L6508 Aluminum & Wood Frames, 1-1/16" D Modular AL65 with B608 faceplate

MEASUREMENT	FRACTIONAL INCHES	DECIMAL INCHES	METRIC mm
A	1-7/16	1.438	36.51
B	7-15/16	7.938	201.61
C	3-3/8	3.375	85.73
D	1-3/32	1.094	27.78
E	1/4	0.250	6.35
F	1/8*	.125*	3.18*
G	1-11/16	1.688	42.86
X	Vertical Centerline of Door**		
R	5/32	.156	3.97
K	7-7/16	7.438	188.91
M	12-24†	—	—



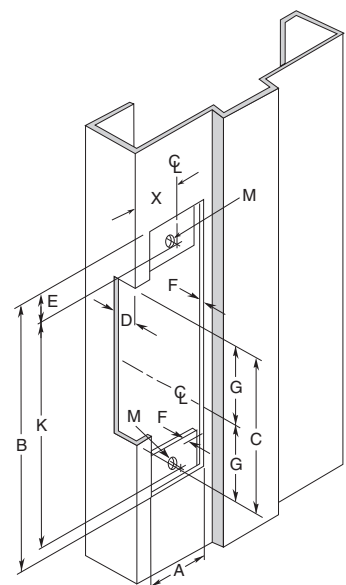
### S6514 Hollow Metal Frames, 1-3/16" D Modular AS65 with B614 faceplate

MEASUREMENT	FRACTIONAL INCHES	DECIMAL INCHES	METRIC mm
A	1-1/4	1.250	31.75
B	4-7/8	4.875	123.83
C	3-3/8	3.375	85.73
D	1-3/16	1.188	30.16
E	3/8	.375	9.53
F	1/8*	.125*	3.18*
G	1-11/16	1.688	42.86
X	Vertical Centerline of Door**		
K	4-1/8	4.125	104.78
M	12-24	—	—



### L6514 Hollow Metal Frames, 1-1/16" D Modular AL65 with B614 faceplate

MEASUREMENT	FRACTIONAL INCHES	DECIMAL INCHES	METRIC mm
A	1-1/4	1.250	31.75
B	4-7/8	4.875	123.83
C	3-3/8	3.375	85.73
D	1-3/32	1.094	27.78
E	3/8	.375	9.53
F	1/8*	.125*	3.18*
G	1-11/16	1.688	42.86
X	Vertical Centerline of Door**		
K	4-1/8	4.125	104.78
M	12-24	—	—



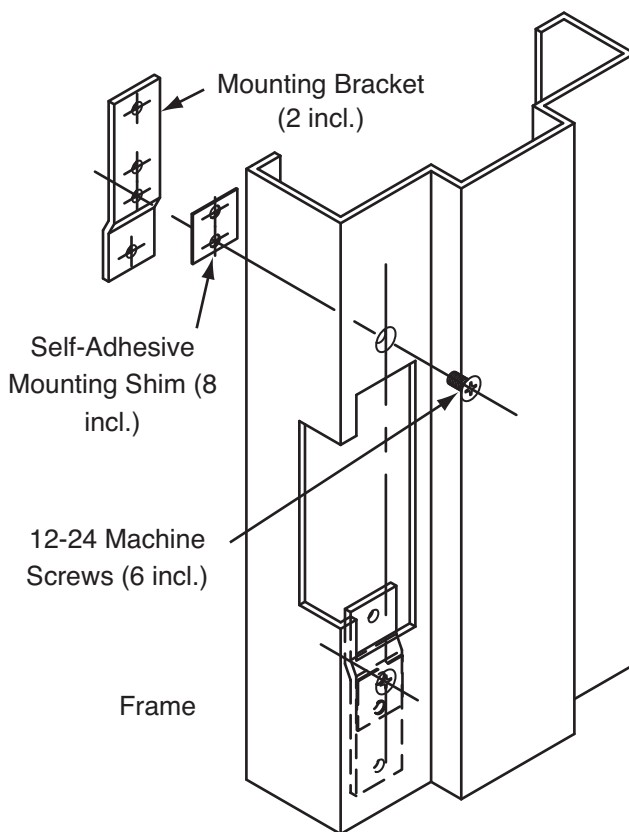
**NOTE:** Specifications subject to change without notice.

\* **Dimension F** is measured from face of mounting tab to face of frame and equates to the thickness of the frame material.

\*\* **Dimension X** on the drawing is determined by the vertical centerline of the door. If the latch incorporates a deadlocking pin additional steps will be necessary to ensure proper operation of the deadlocking pin. Measure the thickness of the deadlocking pin and add this thickness to Dimension X to relocate the vertical centerline an appropriate distance on the frame.

† For wood frame door installations, substitute #12 wood screws for dimension M.

## 6 Series Installation Instructions (Continued)



### Mounting Bracket Kit Instructions

**Mounting bracket kit is for use with aluminum and steel frames that do not have factory installed mounting tabs for electric strike installation.**

1. Prepare the frame as shown in the approximate drawing. Fasten the mounting bracket to the faceplate of the strike, selecting the appropriate shims for the installation.
2. Using the assembled strike and brackets as a template, place against the frame and mark the mounting hole locations. Remove and drill a 3/16" hole in frame for each mounting bracket and countersink the frame.
3. Remove the brackets from the faceplate and install in the frame using the 12-24 x 3/8" machine screws supplied. Tabs are zinc plated and drilled and tapped for this purpose.
4. Make final electrical connections per wiring instructions and mount strike to the brackets with the 12-24 x 3/8" machine screws.

## 6 Series Installation Instructions (Continued)

### Fail Unlocked

Rotate the adjustment screw so the dimple is fully rotated to opposite the faceplate side of the strike (fully counter clockwise). Your strike is now fail unlocked and requires power to lock. See Fig. 1.

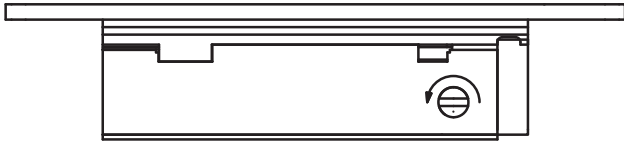


Fig. 1 Fail Unlocked = screw fully counter clockwise

### Fail Locked

Rotate the adjustment screw so the dimple is fully rotated to the faceplate side of the strike (fully clockwise). Your strike is now fail locked and requires power to unlock the door. See Fig 2.

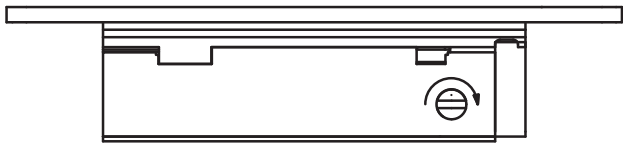


Fig. 2 Fail Locked = screw fully clockwise

### Lip Bracket Adjustment

If your door or latch is out of adjustment, the insert can be adjusted forward or back as required for proper alignment to the latch. See Fig. 3

1. Remove the strike from the frame.
2. Remove the faceplate from the strike.
3. 2 screws secure the lip bracket to the main insert.
4. Loosen these screws approximately 1-1/2 to 2 full turns to allow the insert to move forward or backward as required.
5. Once the adjustment is made tighten all screws and reinstall the strike in the frame.

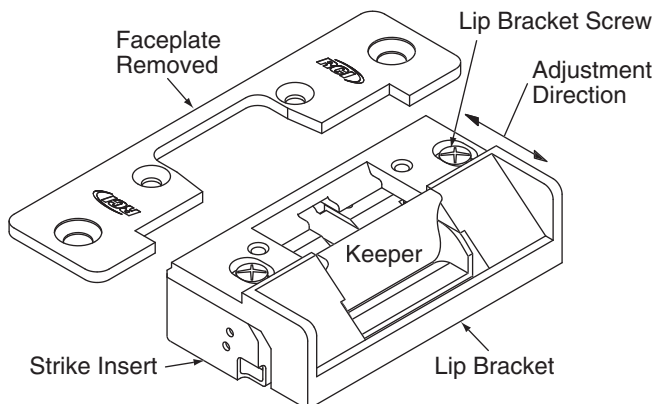


Fig. 3 Lip bracket adjustment

### Wiring Instructions

**NOTE: Overheated or Burnt Coils caused by incorrect input voltage / wire harness combinations will not be covered under warranty.**

Use 12VDC wire harness for 12VDC, 12-24VAC or 11-16VAC input power .

Use 24VDC wire harness for 24VDC input power only

Attach the red wire to (+) positive of the power supply. Attach the black wire to the (-) negative of the power supply (see Fig. 4). If using AC power, polarity is not observed.

**NOTE:** If a suppression diode is required for access control, observe proper polarity.

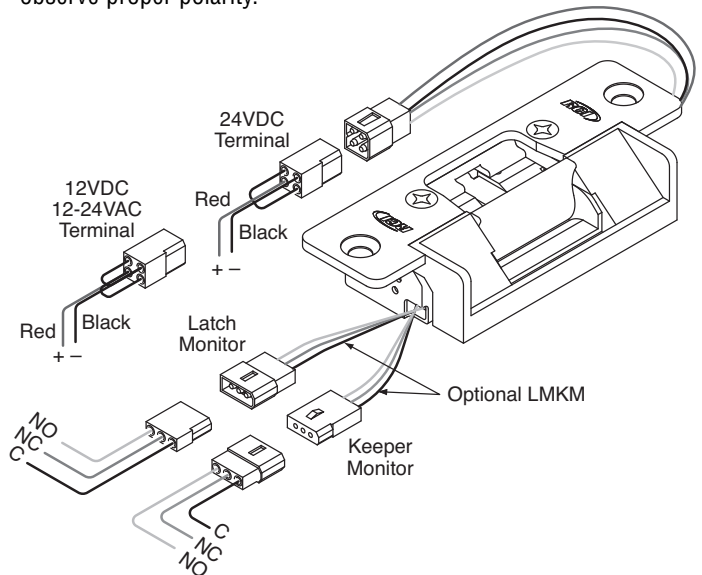


Fig. 4 Wiring the 6 Series electric strike

### Latch Monitor Wires

- Black = Common (C)
- Blue = Normally Close (NC)
- Orange = Normally Open (NO)

### Keeper Monitor Wires

- Black = Common (C)
- Yellow = Normally Closed (NC)
- Green = Normally Open (NO)

#### When using LMKM option:

If the lockset on the door has a 1/2" or 5/8" latch projection, The L65 model is appropriate.

If the lockset on the door has a 3/4" latch projection, you must use the S65 model.

**NOTE:** Contacts are indicated with the keeper in a closed and locked condition, with no latch present.

## 6 Series Troubleshooting

<b>Problem</b>	<b>Possible Causes</b>	<b>Solution</b>
1. <b>Strike will not lock or unlock properly</b>	<b>No power to the insert</b>	Using a multimeter, confirm that you have the correct output voltage at the power supply.  Using a multimeter, confirm that you have the correct input voltage at the strike.  Confirm that all connections are tight and secure.
	<b>Incorrect voltage used</b>	Confirm that the insert and power supply are the proper voltage.
	<b>Strike is binding</b>	Confirm that the strike keeper functions when the door is open. If the strike operates correctly, adjust door or strike to eliminate any backpressure.  Confirm that the strike cavity depth is compatible with the lock set.
2. <b>Strike releases but won't buzz</b>	<b>Improper power supply</b>	Replace the power supply with a correct voltage AC power supply, and the 12V connector. If this cannot be done, a DC piezo buzzer can be installed.
3. <b>Strike makes a buzzing sound</b>	<b>Improper power supply</b>	Replace the power supply with a correct voltage DC power supply.
	<b>Improper application</b>	A strike connected to an AC power supply will buzz unless a rectifier is installed.
4. <b>Insert has a burnt smell</b>	<b>Improper voltage</b>	Confirm that you have the correct output voltage at the power supply.
	<b>Improper installation</b>	Confirm that the correct connector was used when installing the strike 12V for 12VDC & 12-24VAC, 24V for 24VDC only.  Confirm that all connections are tight and secure.
5. <b>Mortise lock not dead latching</b>	<b>Improper Installation</b>	Check alignment of dead latch and lip bracket ramp.
	<b>Door has sagged</b>	Adjust door alignment.
6. <b>Cylindrical deadlatching not working</b>	<b>Improper Installation / Door has warped</b>	Adjust the strike horizontal adjustment. (See Installation Instructions).
7. <b>Door won't latch</b>	<b>Door has warped or sagged creating excessive back pressure</b>	Re-align door in frame or replace.
8. <b>Monitor switch is not functioning</b>	<b>Short in wiring</b>	Confirm that all connections are tight and secure.  Using a multimeter confirm continuity of the N/O & N/C sides of the switch.
	<b>Latch or keeper are not functioning properly</b>	Confirm that the keeper is closing properly and that the lever in the strike cavity is operating freely.