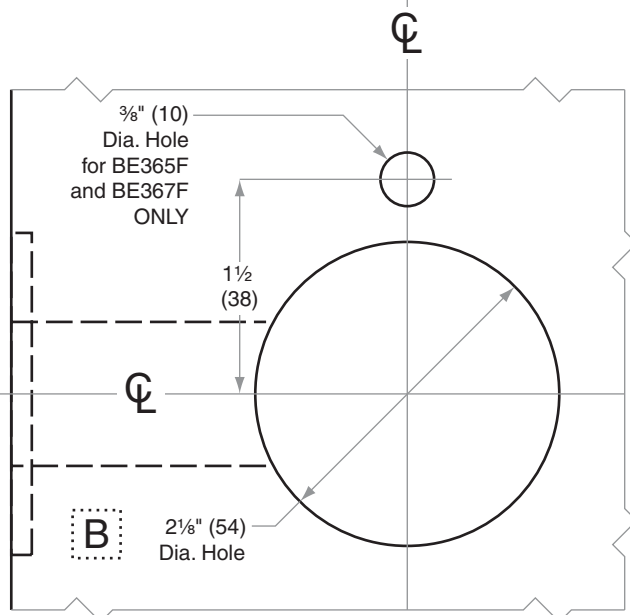
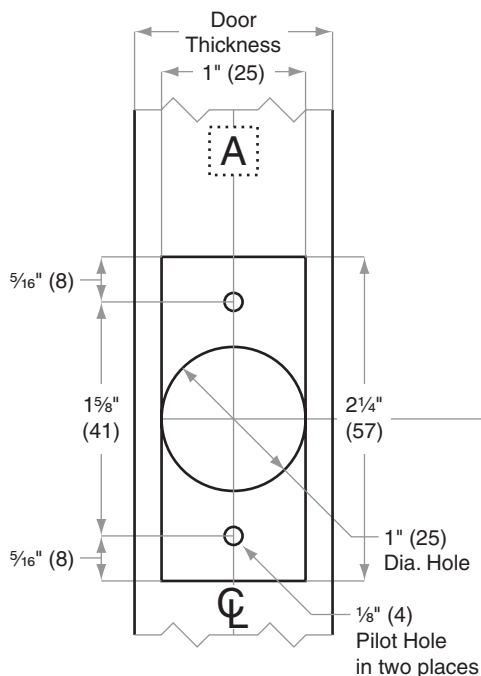
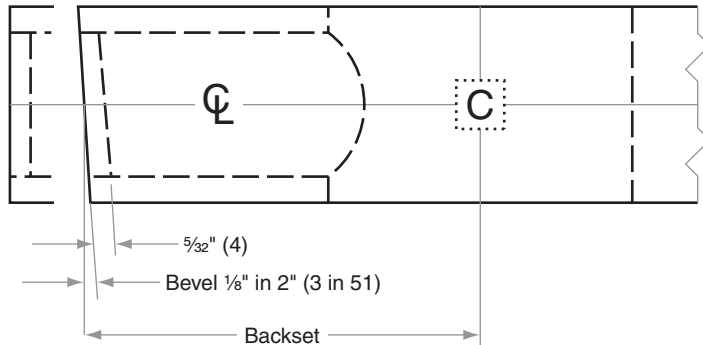
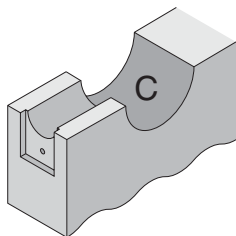
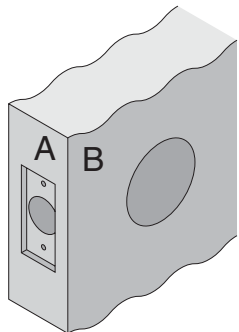


BE-Series

BE365, BE365F, BE367, BE367F

- Door Type:** Wood or Composite, Flat or Beveled
- Door Thickness:** 1 $\frac{3}{8}$ " (35mm)–1 $\frac{3}{4}$ " (44mm)
- Faceplate:** Square Corner, 1" (25mm) wide
- Backsets:** B922-C, 2 $\frac{3}{8}$ " (60mm) | B922-D, 2 $\frac{3}{4}$ " (70mm)



Dimensions shown in parentheses () are in millimeters

Job: _____

Date: _____

Door Thickness: _____

Remarks: _____

TEMPLATE
B922