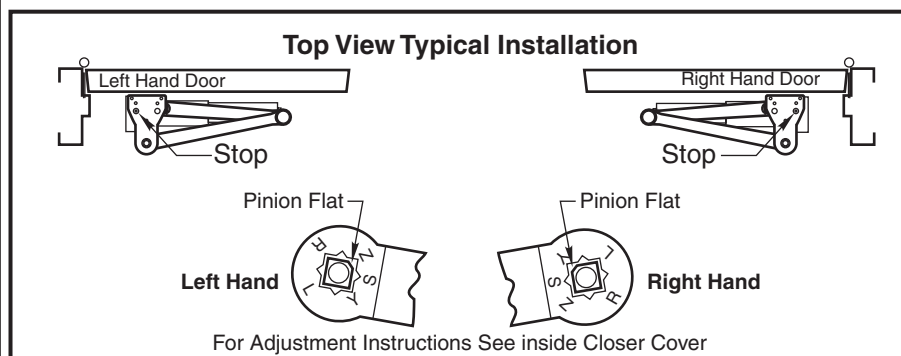
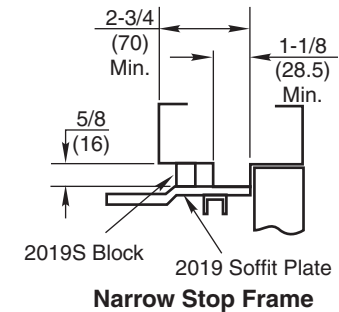
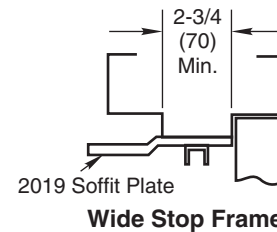
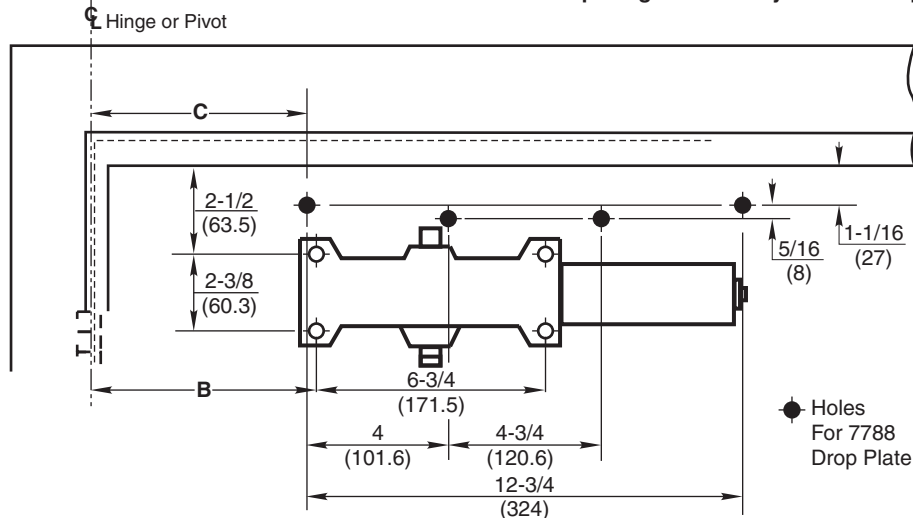


Opening ★	Dim. "A"		Dim. "B"		Dim. "C"	
	inches	mm	inches	mm	inches	mm
85°	10-5/8	270	10-1/8	257	9-7/8	251
90°	9-3/4	247.5	9-1/4	235	9	228.5
95°	9-1/8	232	8-5/8	219	8-3/8	212.5
100°	8-3/8	212.5	7-7/8	200	7-5/8	193.5
105°	7-7/8	200	7-3/8	187.5	7-1/8	181
110°	7-1/4	184	6-3/4	171.5	6-1/2	165

★ Template dimensions are for hold open/door stop within ±2° of charted door openings. Doors may overtravel up to 5° beyond the rest position.

NOTES:

1. Do not scale drawing.
2. Left hand door shown.
3. Dimensions are in inches (mm).
4. Hollow-metal doors require channel or box-type reinforcement when thru-bolt mount is specified.
5. Sex-bolts required for wood or plastic faced fire-door mounting.
6. Minimum thickness recommended for reinforcements in hollow- metal doors and frames: .0146" (2.66mm).
7. Hold Open function "T" Suffix, is not permitted in a fire-door assembly.
8. Maximum width hinges for this template are 5" (127mm)



Fasteners	Frame	Door	Drill-Sizes
#14 Type A Sheet Metal Screw	Wood	none	3/16" (4.8 mm) Pilot Hole Required
1/4" - 20 machine screw	Metal	none	Drill: #7 (0.201" dia.) or 5.1mm Tap: 1/4" - 20
Sleeve nuts and bolts	none	Hollow Metal	9/32" (7 mm) through; 3/8" (9.5 mm) door face opposite to closer
		Aluminum or Wood	3/8" (9.5 mm) through

CLP-7500, CLP-7700 CloserPlus® Arm Door Closer or CPS-7500, CPS-7700 CloserPlus Spring™ Arm Door Closer Parallel Arm Application With or Without 7788 Drop Plate Arm Function: Stop Only or Stop & Hold Open ("T" Suffix) Power Size 1-6 for 7500, 2, 3, 4, 5 or 6 for 7700



ASSA ABLOY

www.nortondoorcontrols.com

TEMPLATE NUMBER

7377-1301

DATE

02-11