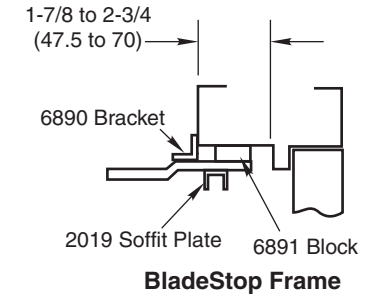
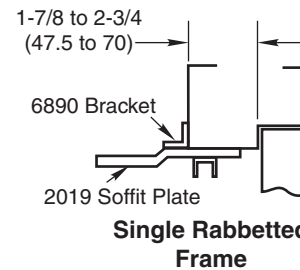
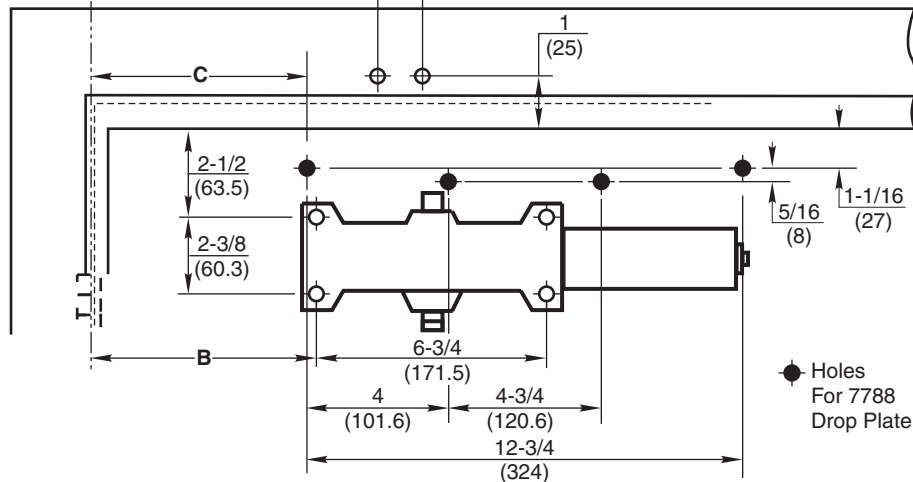


| Opening ★ | Dim. "A" | | Dim. "B" | | Dim. "C" | |
|--------------|----------|-------|----------|-------|----------|-------|
| | inches | mm | inches | mm | inches | mm |
| 85° | 10-5/8 | 270 | 10-1/8 | 257 | 9-7/8 | 251 |
| 90° | 9-3/4 | 247.5 | 9-1/4 | 235 | 9 | 228.5 |
| 95° | 9-1/8 | 232 | 8-5/8 | 219 | 8-3/8 | 212.5 |
| 100° | 8-3/8 | 212.5 | 7-7/8 | 200 | 7-5/8 | 193.5 |
| 105° | 7-7/8 | 200 | 7-3/8 | 187.5 | 7-1/8 | 181 |
| 110° | 7-1/4 | 184 | 6-3/4 | 171.5 | 6-1/2 | 165 |

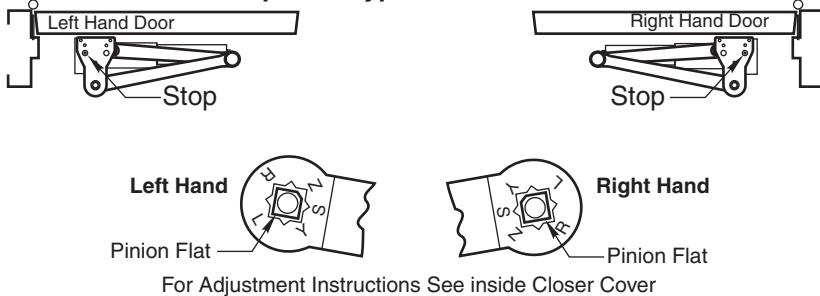
★ Template dimensions are for hold open/door stop within ±2° of charted door openings. Doors may overtravel up to 5° beyond the rest position.



NOTES:

1. Do not scale drawing.
2. Left hand door shown.
3. Dimensions are in inches (mm).
4. Hollow-metal doors require channel or box-type reinforcement when thru-bolt mount is specified.
5. Sex-bolts required for wood or plastic faced fire-door mounting.
6. Minimum thickness recommended for reinforcements in hollow- metal doors and frames: .0146" (2.66mm).
7. Hold Open function "T" Suffix, is not permitted in a fire-door assembly.
8. Maximum width hinges for this template are 5" (127mm).

Top View Typical Installation



| Fasteners | Frame | Door | Drill-Sizes |
|------------------------------|-------|------------------|--|
| #14 Type A Sheet Metal Screw | Wood | none | 3/16" (4.8 mm) Pilot Hole Required |
| 1/4" - 20 machine screw | Metal | none | Drill: #7 (0.201" dia.) or 5.1mm Tap: 1/4" - 20 |
| Sleeve nuts and bolts | none | Hollow Metal | 9/32" (7 mm) through; 3/8" (9.5 mm) door face opposite to closer |
| | | Aluminum or Wood | 3/8" (9.5 mm) through |

CPS-7500, CPS-7700 CloserPlus Spring™ Arm Parallel Arm Application with 6890 Reinforcing Bracket With or Without 7788 Drop Plate or 6891 Spacer Block Arm Function: Stop Only or Stop & Hold Open ("T" Suffix) Power Size) for 7500; 2, 3, 4, 5, or 6 for 7700



ASSA ABLOY

www.nortondoorcontrols.com

TEMPLATE NUMBER

7377-1302

DATE

07-08