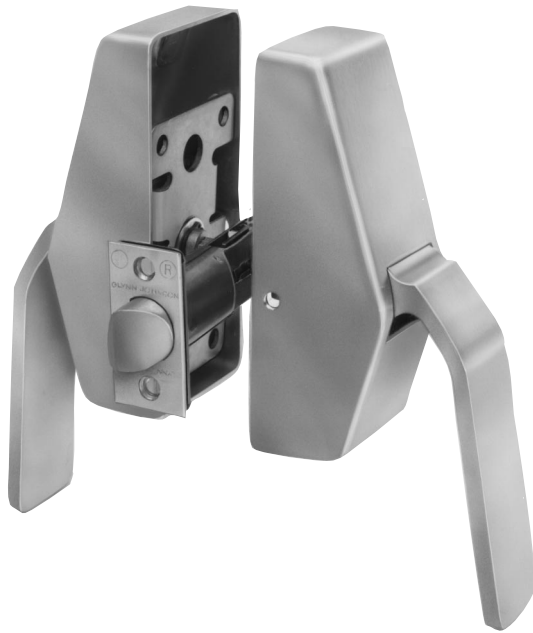


GLYNN-JOHNSON

PUSH / PULL LATCH

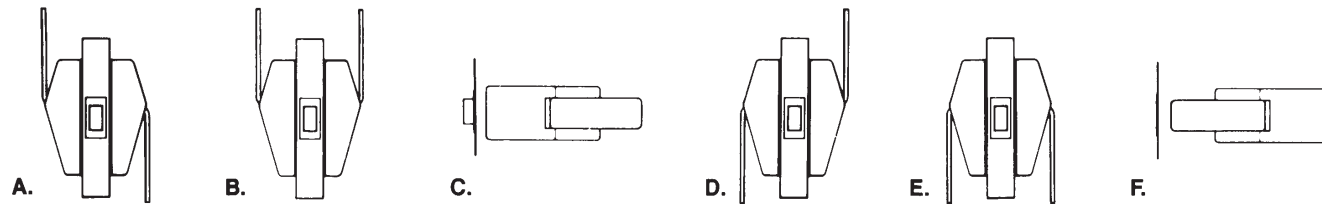
HL-6



Glynn-Johnson **HL-6** Push/Pull Latch for installation where both versatility and durability are critical. Ideal for use on commercial and institutional doors, including fire doors, up to 1¾". Functional and modern in design, these units can be mounted in any of 6 different positions and are available in 2¾", 3¾", 5" or 7" backsets. The short throw angle allows an easy push or pull action to open the door even when hands are not free. For doors over 1¾" contact the factory for information.

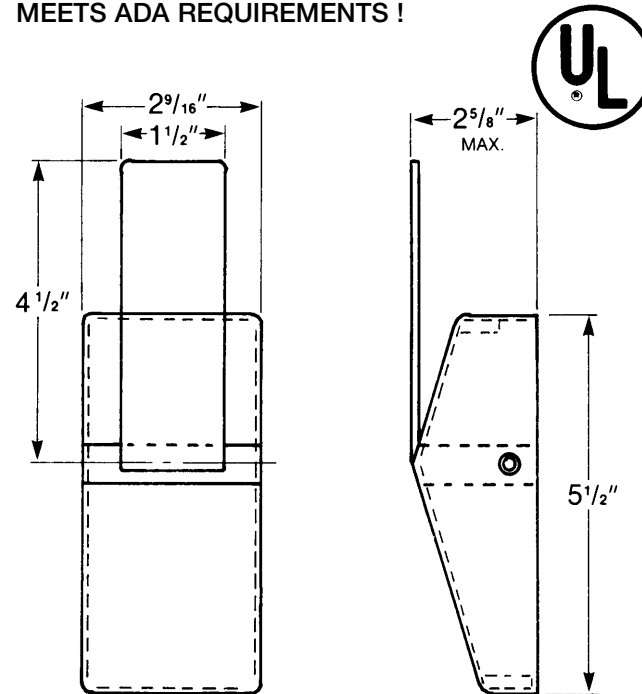
Units are available in a wide variety of finishes. US-28 and US-26D finishes are furnished on an aluminum base material for both escutcheons and levers. US3, 4, 10, 10B and 26 finishes are furnished on a brass

MOUNTING POSITIONS



Glynn-Johnson Door Controls
Ingersoll-Rand Company

MEETS ADA REQUIREMENTS !

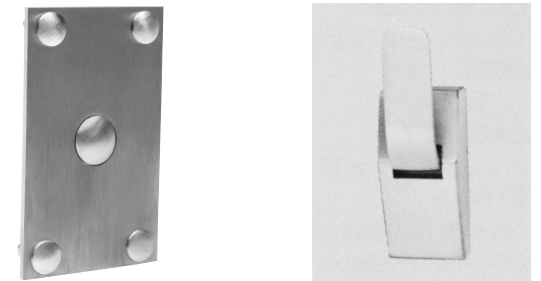


base material for levers and escutcheons. Newly designed brass and bronze base units provide attractive finishes while maintaining all features of aluminum units. Brass base unit can also be supplied when 26D finish is supplied (suffix B) in place of standard aluminum material.

HL-6 Push/Pull Latches are now available with durable 300 series stainless steel handles and covers. Handles are investment cast and covers are drawn stainless steel, available in attractive US32 and 32D finishes.

UL listed for use on all labeled doors of metal or wood construction. **No fusible link to fail.**

HL-6/EO EXIT ONLY LATCH



HL-6/EO Exit Only Latch for applications where only one side of door is used for exit or entry. Ideal for situations where the security of no entry is required. All specifications remain same as standard **HL-6** unit.

HL-6/RL



HL-6/RL Push/Pull Roller Latch Conversion Kit modified unit converts existing Glynn-Johnson 30 roller latch to meet current federal standard requirements. Conversion is accomplished utilizing existing screw and door preparations with minimal alterations, All specifications remain same as standard **HL-6** unit.

SCREW DETAILS FOR HL-6	
body:	4 - #10-32 x 2¾" pan head machine screws 4 - #10-32 lock nut
cover:	4 - #6-32 x ¾" undercut flat head machinescrews
strike:	2 - #8-32 x ¾" undercut flat head machinescrews
latchbolt:	2 - #8 x ¾" flat head sheet metal screws

PUSH / PULL LATCH

PUSH / PULL MORTISE LOCK COMBINATION

HL-6

SPECIFICATION DATA:

FOR DOORS

Up to 1¾" thick

DOOR PREP

Government Standard, 161 Cut Out

BOLT

½" Throw

BACKSET

2¾", 3¾", 5" or 7" Backset

STRIKE

ANSI 115.3 Standard

ASA 4⅞" Available (suffix A)

ESCUTCHEONS

2⅞" x 5½"

PUSH AND PULL LEVERS

1½" x 4½"

PROJECTION FROM DOOR

2½" Min., 2⅝" Max.

HAND

Non-Handed

FINISHES

US3, 4, 10, 10B, 26, 26D, 32, 32D and 28

MOUNTING

Six Mounting Positions

OPTIONAL FEATURES

Lead Lining

Engraved Push or Pull

When ordering vertical engraving specify push-up or down and pull-up or down.

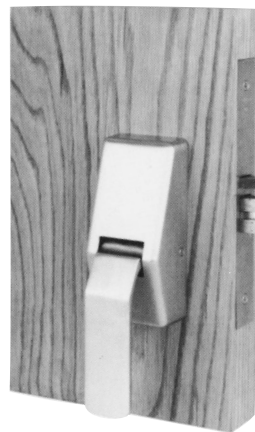
When ordering horizontal engraving, include drawing of each paddle in conjunction with latchbolt.

LISTING

UL Listed for All Fire Doors

DESCRIPTIVE SPECIFICATIONS

All doors Nos. _____ shall have (GJ HL-6) push/pull latches. A push or pull on handle retracts latchbolt automatically and allows door to be opened. Door prep for latch shall fit. Government standard #161 cutout. Escutcheons shall be 2⅞" x 5½", with handles 1½" x 4½". Projection from door shall not exceed 2⅝". Latch shall have a ½" throw and standard strike (2¾" x 1⅞") shall meet ANSI 115.3 prep. ASA strike (4⅞" x 1¼"), which meets ANSI 115.1 is also available. Units shall be non-handed. When used on labeled doors, latches shall have UL listing. As manufactured by Glynn-Johnson.



MEETS ADA REQUIREMENTS !



Patent Pending

The HL-6 push/pull design is now available with a mortise lock. Designed to combine with the Schlage L series heavy duty mortise lock, it combines all the functions and features of the Schlage L series with the popular HL-6 push/pull paddle operation and versatile mounting positions.

All Schlage functions are available, with the following conditions:

1. Where cylinders are required, Glynn-Johnson will furnish locks less cylinders (cylinders by others). Also, when cylinders are used, handle on cylinder side must be mounted in down position, if vertical mounting is utilized.
2. Where thumb turn operations are required, unit must be mounted in horizontal position, as illustrated.

Units are furnished complete with Schlage lockset (less cylinders) and all necessary fasteners. All units are furnished in 2¾" backset and are available in US3, 10, 26D and 32D finishes. Paddles, covers and chassis are of same design and construction as standard Glynn-

Glynn-Johnson Door Controls

Ingersoll-Rand Company

Johnson HL-6 unit.

Specify as follows:

HL-6 desired Schlage lock function-finish

Example:

HL-6-9070(classroom-US32D(furnished less cylinders)

Retrofit Kits:

Kits are also available to retrofit existing installations. Where Schlage mortise locks are presently installed, conversion to push/pull operation is achieved with minor modifications to door. These kits can be specified and ordered as HL-6-9000-RK(retrofit kit) finish. All components necessary to convert knobs or levers, with rose trim, to push/pull operation are included.

Options:

B-Brass base material for 26D finish

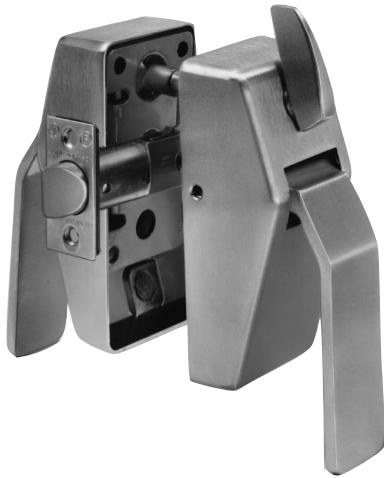
E-Engraved handles -"push", "pull", advise position of handles if vertical, handing of door if horizontal mounting is used.

L-Lead lining

GLYNN-JOHNSON

PRIVACY FUNCTION PUSH PULL LATCH

PL7/PL8

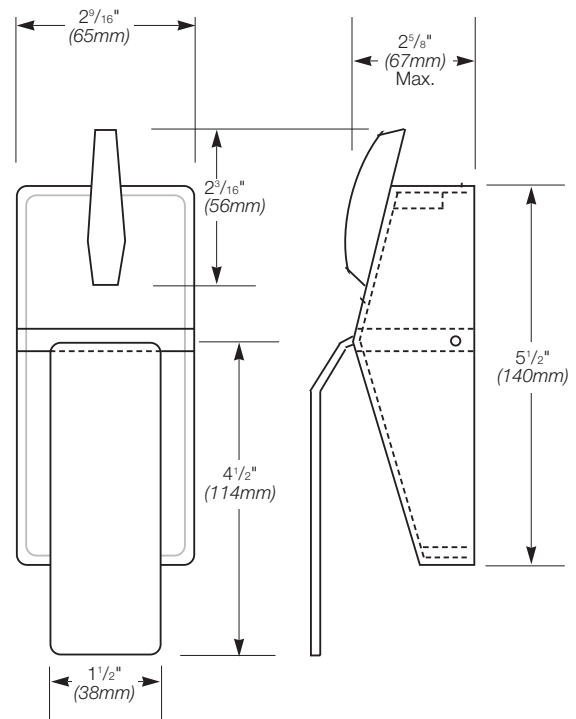


Glynn-Johnson Privacy Function Push/Pull Latch is available in two models; **PL7** for push side thumbturn operation, and **PL8** for pull side thumbturn operation.

Glynn-Johnson **PL7/PL8** Push/Pull Latch for installation where both versatility and durability are critical. Ideal for use on commercial and institutional doors, including fire doors, up to 1³/₄". Functional and modern in design, these units are available in 2³/₄", 3³/₄", 5", or 7" backsets. The short throw angle allows an easy push or pull action to open the door even when hands are not free. For doors over 1³/₄" contact the factory for information.

The patented design is ideal for restrooms or patient bathrooms, and combines all of the features and functions of the popular **HL6**, with the added convenience of privacy, actuated by an attractive thumbturn. Release on opposite side provides for access in case of emergency.

Finishes: US3, US4, US10, US10B, US26, US26D, US28, US32 and US32D. Meets all requirements of BHMA, 156.2, Grade 1, bored F76 Privacy Latch.



SCREW DETAILS FOR PL7/PL8

- body: 4 - #10-32 x 2³/₄" pan head machine screws
- 4 - #10-32 lock nut
- cover: 4 - #6-32 x 3/₈" undercut flat head machine screws
- strike: 2 - #8-32 x 3/₄" undercut flat head machine screws
- latchbolt: 2 - #8 x 3/₄" flat head sheet metal screws

GLYNN-JOHNSON

ROLLER LATCHES

GJ 30



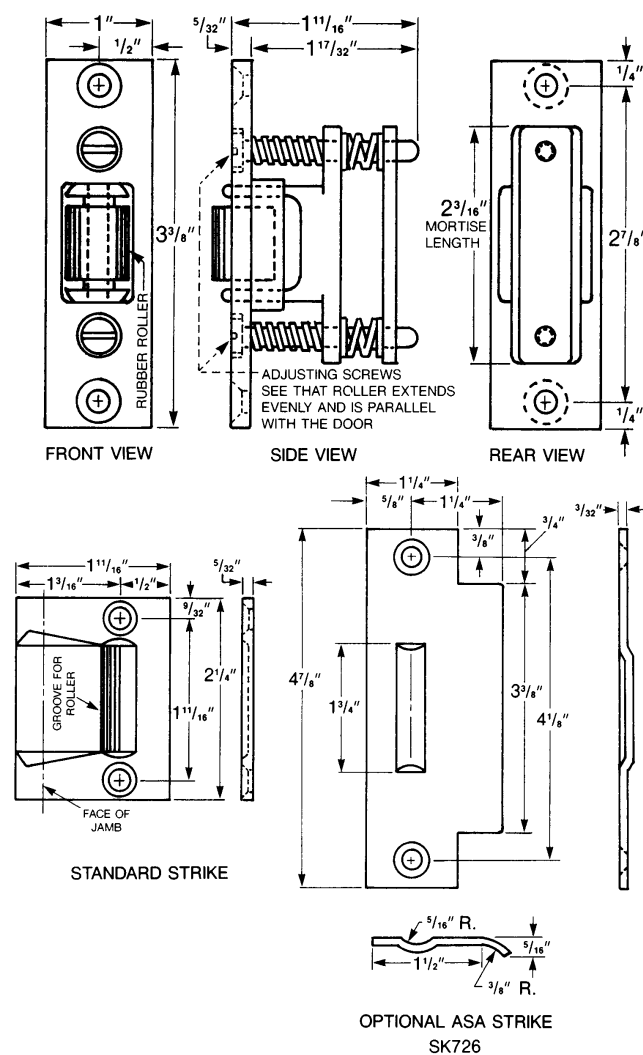
GJ 30: FED. SPEC. 193; BHMA E19091; ANSI 156.16

Glynn-Johnson 30 Roller Latch is constructed of forged bronze and features the unique silent action rubber roller, a necessity in many installations such as hospitals or nursing homes. Actuation is simple, closing of the door causes the roller to fall in the depression of the strike, thereby holding the door closed. The projection of the roller is easily adjustable by way of adjusting screws on the face of the unit, allowing for variance in the door clearance. Latches are provided standard with $2\frac{1}{4}'' \times 1\frac{11}{16}''$ strikes; ASA strikes (specify **SK726**) are available, as well as custom strikes or face plates to meet special conditions. Units are available in US3, 4, 10, 10B, 26 and 26D finishes.

Model **30F** is identical to the **30** but comes equipped with a solid brass roller (nylon covered for silencing).

Replacement parts available as follows:

Part No. 30-PA-1	Rubber roller (includes two 30-10 silencers)
Part No. 30-F-1	Brass roller nylon covered
Part No. 30N-3	Nylon roller
Part No. 30-4	Roller pins
Part No. 30-9	Standard strike only
Part No. 30-10	Nylon silencer (set of two)
Part No. SK726	ASA strike only



SCREW DETAILS:

latch: 2 - #10 x $1\frac{1}{2}''$ fla head dual purpose screws
 strike: 2 - #10 x $1''$ fla head dual purpose screws

Glynn-Johnson Door Controls
 Ingersoll-Rand Company
 P.O. Box 6135
 Indianapolis, IN 46206

1-800-525-0336 (Customer Service)
 317-899-9440 (General Office)
 Fax:
 1-800-525-0337 (Customer Service)
 317-899-9432 (General Office)

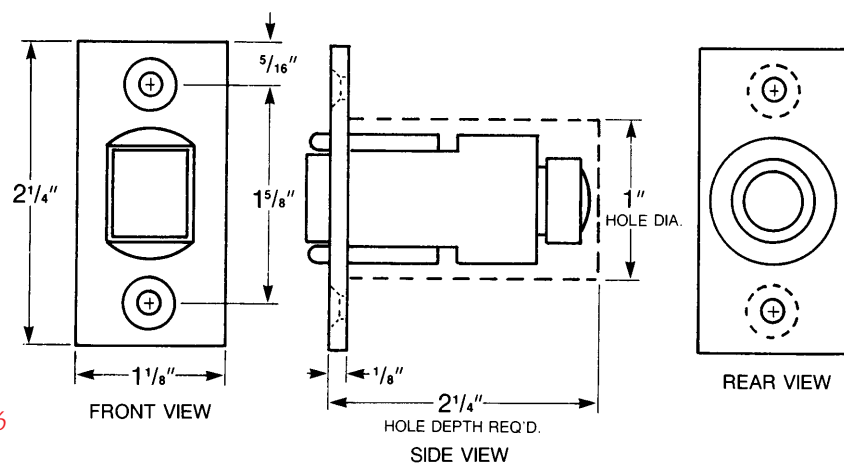
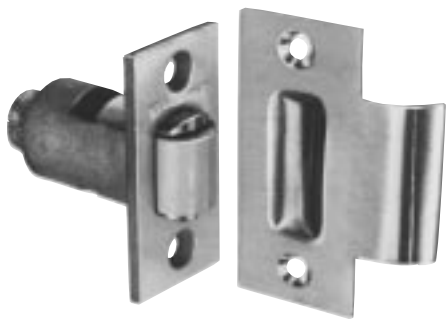
In Canada:
 Ingersoll-Rand Door Hardware
 Port Credit P.O. Box 100
 Mississauga, Ontario L5G 4L5
 TEL: 905-278-6128 • FAX: 905-278-1413

©1997 Printed in U.S.A.

GLYNN-JOHNSON

ROLLER LATCHES

GJ32, 32F



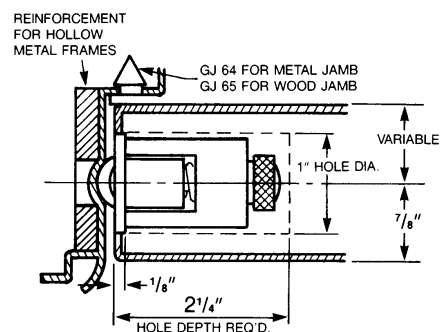
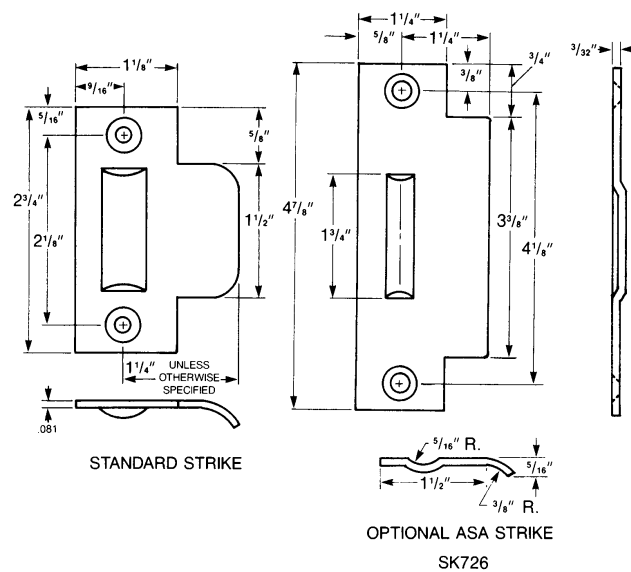
GJ 32, 32F: BHMA E19101; ANSI 156.16

Glynn-Johnson 32 Roller Latch is constructed of bronze or stainless steel and is designed to fit a heavy-duty cylindrical lock mortise. Rugged cast unit features silent action nylon roller. Normal closing of door engages roller in groove on strike, thereby holding the door shut. Unit is easily adjustable, accomplished by turning knurled nut on back of latch, allowing for variance in door clearance. Latches are provided standard with 2 3/4" x 1 1/8" strikes, but are available with ASA (specify SK726) strikes, or custom strikes or face plates to meet special conditions. Units are available in US3, 4, 10, 10B finishes, as well as US32 and 32D stainless steel.

Model 32F is identical to the 32 unit but comes equipped with a solid brass roller (nylon covered for silencing).

Replacement parts available as follows:

Part No. 32-5	Roller Pin
Part No. 32-8	Nylon Roller
Part No. 32F-8	Brass Roller with nylon covers
Part No. 32-9	Standard Strike only
Part No. SK726	ASA strike only



SCREW DETAILS:

latch: 2 - #8 x 1" flat head dual purpose screws
Strike: 2 - #8 x 1" flat head dual purpose screws

Glynn-Johnson Door Controls
Ingersoll-Rand Company
P.O. Box 6135
Indianapolis, IN 46206

1-800-525-0336 (Customer Service)
317-899-9440 (General Office)
Fax:
1-800-525-0337 (Customer Service)
317-899-9432 (General Office)

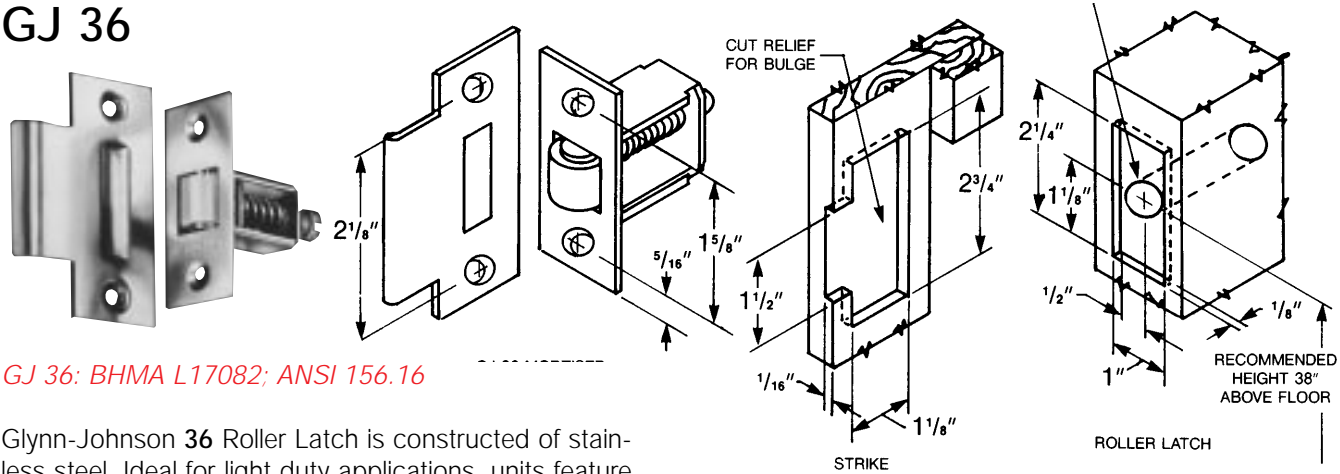
In Canada:
Ingersoll-Rand Door Hardware
Port Credit P.O. Box 100
Mississauga, Ontario L5G 4L5
TEL: 905-278-6128 • FAX: 905-278-1413

©1997 Printed in U.S.A.

GLYNN-JOHNSON

ROLLER LATCHES

GJ 36



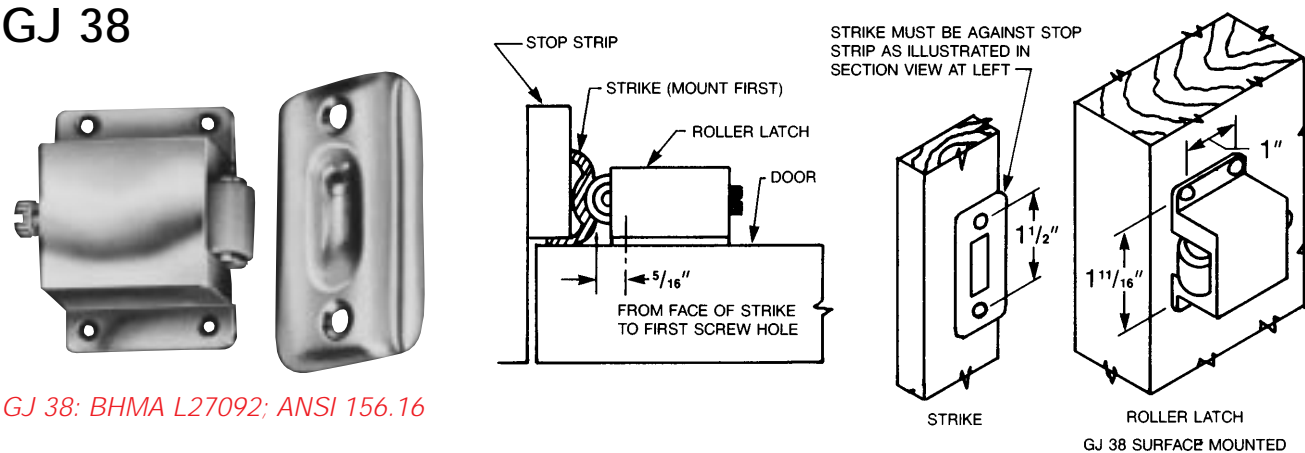
GJ 36: BHMA L17082; ANSI 156.16

Glynn-Johnson 36 Roller Latch is constructed of stainless steel. Ideal for light duty applications, units feature silent action nylon rollers and stainless steel internal parts. Latch pressure is easily adjusted with the slotted adjustment screw. Units fit standard "A" mortise or cylindrical lock. Furnished standard with $1\frac{1}{8}$ " x $2\frac{3}{4}$ " strike, but also available with ASA (specify **SK726**) strikes, or custom strikes or face plates to meet special conditions. Available in US32D stainless steel.

SCREW DETAILS:

latch: 2 - #8 x 1" flat head dual purpose screws
 strike: 2 - #8 x 1" flat head dual purpose screws

GJ 38



GJ 38: BHMA L27092; ANSI 156.16

Glynn-Johnson 38 Surface Mounted Roller latch is constructed of stainless steel, units feature silent action nylon roller. Ideal for light duty applications, units include adjusting screw to control latch pressure. Units are available in US32D stainless steel.

SCREW DETAILS:

latch: 4 - #6 x $\frac{3}{4}$ " pan head dual purpose screws
 strike: 2 - #6 x $\frac{3}{4}$ " flat head dual purpose screws

Glynn-Johnson Door Controls
 Ingersoll-Rand Company
 P.O. Box 6135
 Indianapolis, IN 46206

1-800-525-0336 (Customer Service)
 317-899-9440 (General Office)
 Fax:
 1-800-525-0337 (Customer Service)
 317-899-9432 (General Office)

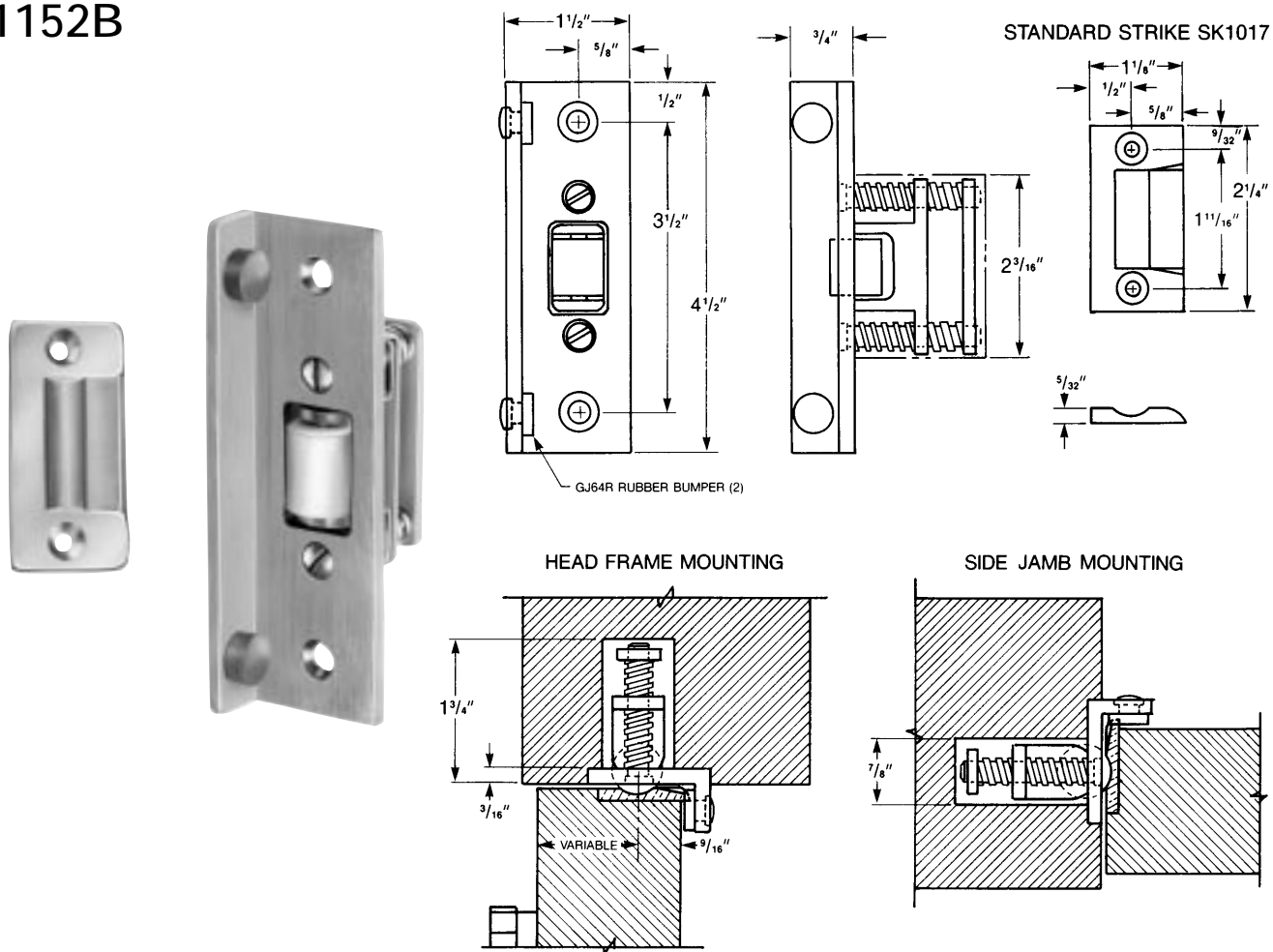
In Canada:
 Ingersoll-Rand Door Hardware
 Port Credit P.O. Box 100
 Mississauga, Ontario L5G 4L5
 TEL: 905-278-6128 • FAX: 905-278-1413

©1997 Printed in U.S.A.

GLYNN-JOHNSON

ROLLER LATCHES

1152B



Glynn-Johnson **1152B** Combination Roller Latch/Angle Stop is constructed of heavy $\frac{3}{16}$ " brass angle, while incorporating all the features of the **GJ30** Roller Latch. Used where a stop strip is not required, unit provides a combination door stop and latch. Unit includes silent action rubber roller and **GJ64R** silencers. Latch pressure is easily adjustable without removing unit from the frame. Unit can be custom modified to meet special conditions. Available in US3, 4, 10, 10B, 26 and 26D finishes.

SCREW DETAILS:

angle
 faceplate: 2 - #12 x 1 1/2" flat head wood screws
 2 - #12 x 24 x 1 1/2" flat head machine screws
 strike: 2 - #10 x 1" flat head wood screws
 2 - #10 x 24 x 1/2" flat head machine screws

Glynn-Johnson Door Controls
 Ingersoll-Rand Company
 P.O. Box 6135
 Indianapolis, IN 46206

1-800-525-0336 (Customer Service)
 317-899-9440 (General Office)
 Fax:
 1-800-525-0337 (Customer Service)
 317-899-9432 (General Office)

In Canada:
 Ingersoll-Rand Door Hardware
 Port Credit P.O. Box 100
 Mississauga, Ontario L5G 4L5
 TEL: 905-278-6128 • FAX: 905-278-1413

©1997 Printed in U.S.A.

GLYNN-JOHNSON

OPTIONAL STRIKES

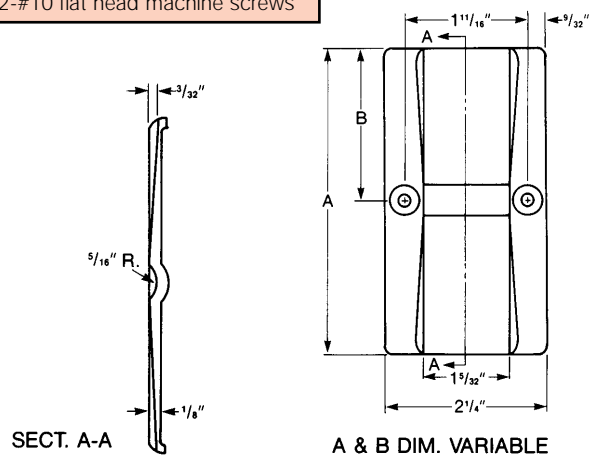
Glynn-Johnson manufactures numerous special angle stops and strikes to meet custom conditions. Several of the more frequent variations are shown below. If your requirements call

for a special strike or stop, please contact us with your requirements. We will do our utmost to meet your needs, providing quality products in the Glynn-Johnson tradition.

SKETCH 685 DOUBLE ACTING ROLLER LATCH STRIKE

For use on Double Acting Doors and Frames with the GJ 30 or GJ 32 Roller Latch. Specify frame width.

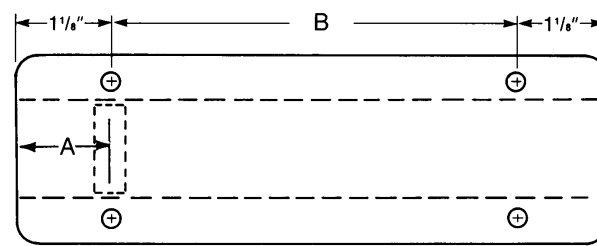
SCREW DETAILS:
2-#10 flat head machine screws



SKETCH 685L LONG LIP DOUBLE ACTING STRIKE

For use on Double Acting Doors and Frames with the GJ 30 or GJ 32 Roller Latch. Specify frame width.

SCREW DETAILS:
4 - #12 - 24 x 3/4 inch flat head machine screws

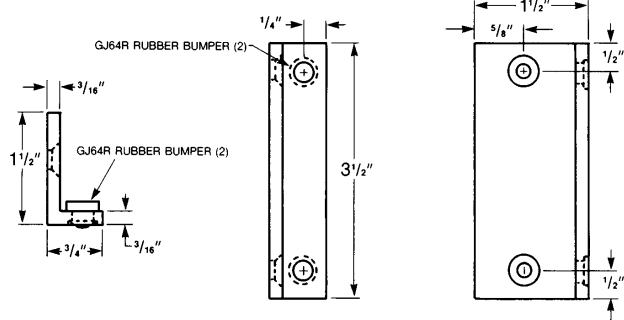


SPECIFY "A" AND "B" DIMENSIONS

SP 18 APPLIED STOP

For use with single or pairs of doors without stops. Similar to the 1152 but without the Roller Latch assembly.

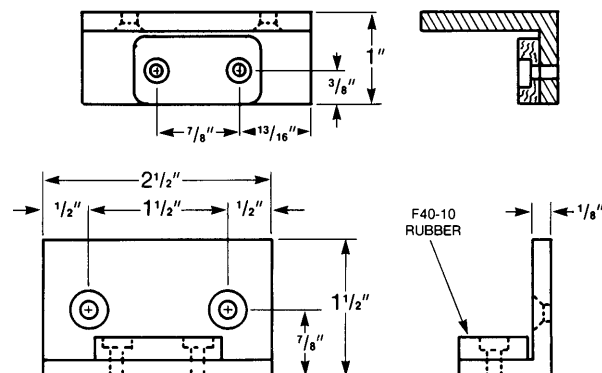
SCREW DETAILS:
2 - #12 X 1 1/2 inch flat head wood screws
2 - #12 - 24 x 3/4 inch flat head machine screws



SKETCH 895 APPLIED STOP

For single doors with no stops on frame. Specify wood or metal frame.

SCREW DETAILS:
2 - #10 X 1 1/2 inch flat head wood screws
or
2 - #10 - 32 x 3/4 inch flat head machine screws



Glynn-Johnson Door Controls
Ingersoll-Rand Company
P.O. Box 6135
Indianapolis, IN 46206

1-800-525-0336 (Customer Service)
317-899-9440 (General Office)
Fax:
1-800-525-0337 (Customer Service)
317-899-9432 (General Office)

In Canada:
Ingersoll-Rand Door Hardware
Port Credit P.O. Box 100
Mississauga, Ontario L5G 4L5
TEL: 905-278-6128 • FAX: 905-278-1413

©1997 Printed in U.S.A.

GLYNN-JOHNSON

INVISIBLE LATCHES & AUXILIARY PUSHER

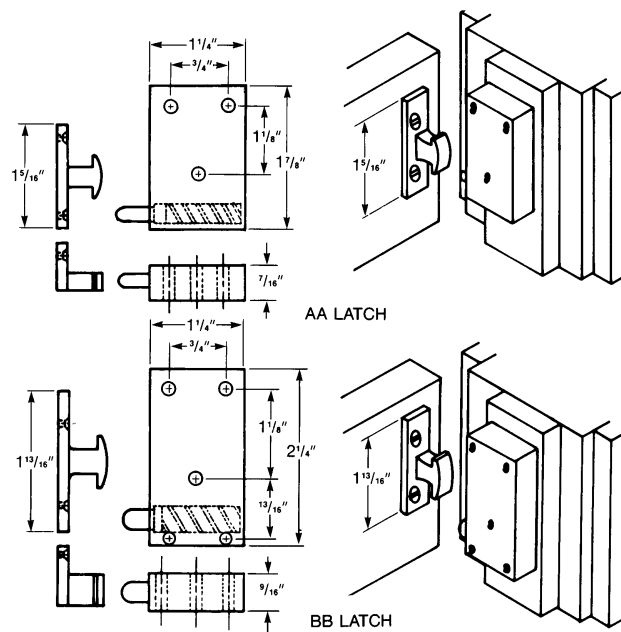
AA & BB LATCHES



BB SHOWN
AA SIMILAR

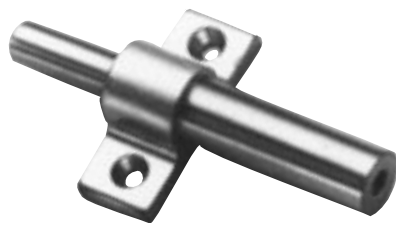
GJ AA: BHMA B03272; ANSI 156.9
GJ BB: BHMA B03272; ANSI 156.9

Glynn-Johnson **AA** and **BB** Invisible Latches are ideal for installations where no visible latches are desired. Units can be installed at the top, bottom or side of the door and can be mounted flush in the door stop or on the surface of the stop. The **AA** latch is recommended for use on small panels, cabinet doors or light closet doors, while the **BB** latch is used on larger panels or regular size doors. Operation of both models is simple, with latching accomplished by a slight push. A harder push releases the door. Both models are available in US3, 4, 10 and 26D finishes.



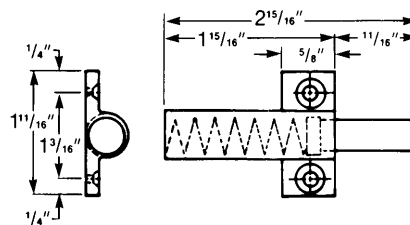
SCREW DETAILS AA:
case: 3 - #6 x 1 1/4" round head machine screws
hook: 2 - #6 x 3/4" flat head dual purpose screws
SCREW DETAILS BB:
case: 4 - #6 x 1 1/4" round head machine screws
hook: 2 - #6 x 3/4" flat head dual purpose screws

AP-2 PUSHER



GJ AP2: BHMA B13282; ANSI 156.9

Glynn-Johnson **AP-2** Auxiliary Pushers are constructed of bronze, designed to aid operation of **AA** or **BB** latch in cases where hinges or surrounding conditions prevent smooth operation of door. Units provide full 1 1/16" throw and are available in US3, 4, 10 and 26D finishes.



SCREW DETAILS:
2 - #6 X 3/4" flat head dual purpose screws

Glynn-Johnson Door Controls
Ingersoll-Rand Company
P.O. Box 6135
Indianapolis, IN 46206

1-800-525-0336 (Customer Service)
317-899-9440 (General Office)
Fax:
1-800-525-0337 (Customer Service)
317-899-9432 (General Office)

In Canada:
Ingersoll-Rand Door Hardware
Port Credit P.O. Box 100
Mississauga, Ontario L5G 4L5
TEL: 905-278-6128 • FAX: 905-278-1413

©1997 Printed in U.S.A.

GLYNN-JOHNSON

BALL TYPE LATCHES

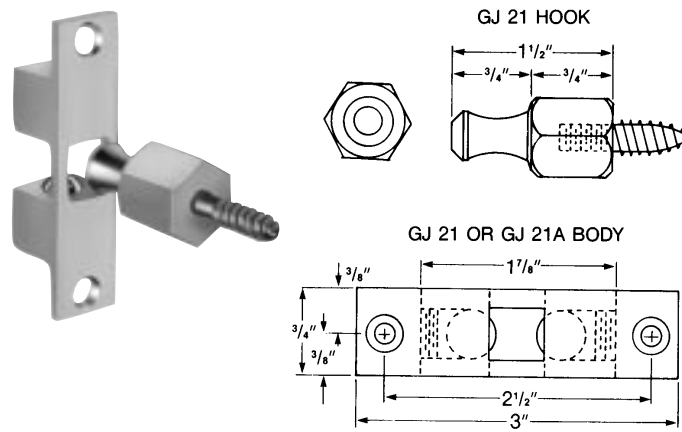
GJ 21

GJ 21: ANSI 156.9

Glynn-Johnson **21** Four-way Catch with hexagon stud is constructed of bronze and is ideal for holding medium duty doors under constant tension. Stud can enter body from either side, front or back when surface mounted. The strike slides between two stainless steel balls, which are under spring tension. As the strike engages, the door is held tightly shut. Tension is easily adjusted to suit field conditions. Units can be surface applied or mortised into frame. Available in US3, 4, 10, 26 and 26D finishes.

SCREW DETAILS:

stud: 1 - 1/4" - 20 x 1/4" lag screw
 body: 2 - #8 x 3/4" flat head dual purpose screws



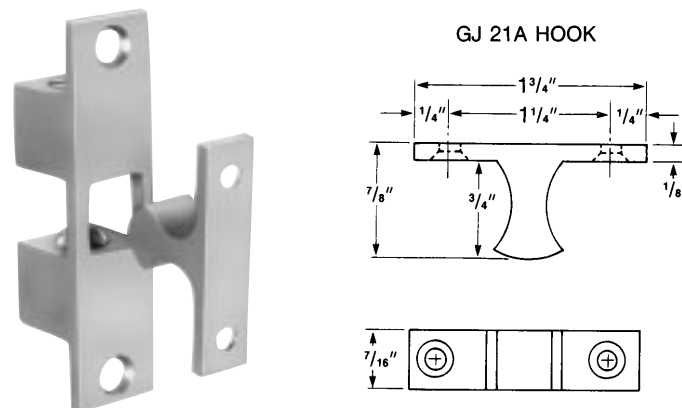
GJ 21A

GJ 21A: BHMA B13292; ANSI 156.9

Glynn-Johnson **21A** Four-way Catch is similar in design to Model **21**, but is provided with a plate type strike. Ideal for closet doors, access doors, hinged openings and numerous other applications, units are constructed of bronze and are available in US3, 4, 10, 26 and 26D finishes. Strike can enter from either side, front or back and can be surface mounted or mortised into frame. Tension of units is easily adjusted to meet field conditions.

SCREW DETAILS:

strike: 2 - #8 x 3/4" flat head dual purpose screws
 body: 2 - #8 x 3/4" flat head dual purpose screws



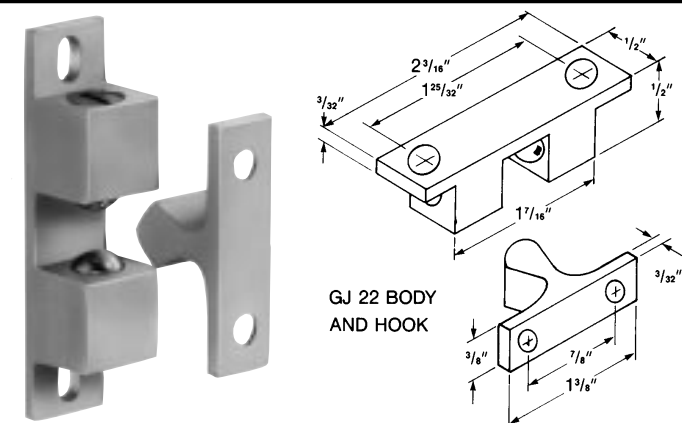
GJ 22

GJ 22: BHMA B13302; ANSI 156.9

Glynn-Johnson **22** Catch is constructed of bronze and is ideal for smaller cabinet doors or panels. Similar to Model **21A** in design but strike can enter only from front of either side. Tension of unit is easily adjusted to meet field conditions. Units available in US3, 4, 10, 26 and 26D finishes.

SCREW DETAILS:

strike: 2 - #6 x 3/4" flat head dual purpose screws
 body: 2 - #6 x 3/4" flat head dual purpose screws



Glynn-Johnson Door Controls
 Ingersoll-Rand Company
 P.O. Box 6135
 Indianapolis, IN 46206

1-800-525-0336 (Customer Service)
 317-899-9440 (General Office)
 Fax:
 1-800-525-0337 (Customer Service)
 317-899-9432 (General Office)

In Canada:
 Ingersoll-Rand Door Hardware
 Port Credit P.O. Box 100
 Mississauga, Ontario L5G 4L5
 TEL: 905-278-6128 • FAX: 905-278-1413
 ©1997 Printed in U.S.A.

GLYNN-JOHNSON

SURFACE BOLTS

1600 SERIES

CONCEALED MOUNTING

8" Steel bolts listed for
all fire doors to 8'



GJ 1631



GJ 1631L

GJ 1631, 1632 (Steel): BHMA L84161; ANSI 156.16
GJ 1641, 1642 (Brass): BHMA L24161; ANSI 156.16

Glynn-Johnson **1600** Series Surface Bolts are constructed of heavy duty steel (**1630** models) or brass (**1640** models). All units have a full one inch throw for maximum security and are ideal for all types of doors. All 8" steel bolts are UL listed for use on inactive door for A, B, C, D, E, and F labeled doors up to 8' in height. **1630** and **1640** Models are both available with locking feature. Locking bolts are furnished with two keys, with four variations available. **1630** Series Steel Bolts are available in US2G, 3, 4, 10, 10B, 15, 26, 26D plated finishes. **1640** Series units are available in US3, 4, 10, 10B, 26 and 26D finishes. See reverse for complete details and listing of models available.

Other Features:

- Fully concealed mounting prevents vandalism.
- Units furnished with either universal top strike of flat bottom strike.
- Units packed with wood and machine screws to meet most field conditions.
- Sex bolts available where required.

SCREW DETAILS:

1631, 1641

bolt: 3 - #12 - 24 x 1" flat head machine screws
3 - #12 x 1 1/4" flat head wood screws

strike: 2 - #12 - 24 x 1" flat head machine screws
2 - #12 x 1 1/4" flat head wood screws
2 - plastic expansion shields

1632, 1642

All above excluding expansion shields.

Glynn-Johnson Door Controls
Ingersoll-Rand Company
P.O. Box 6135
Indianapolis, IN 46206

1-800-525-0336 (Customer Service)
317-899-9440 (General Office)
Fax:
1-800-525-0337 (Customer Service)
317-899-9432 (General Office)

In Canada:
Ingersoll-Rand Door Hardware
Port Credit P.O. Box 100
Mississauga, Ontario L5G 4L5
TEL: 905-278-6128 • FAX: 905-278-1413

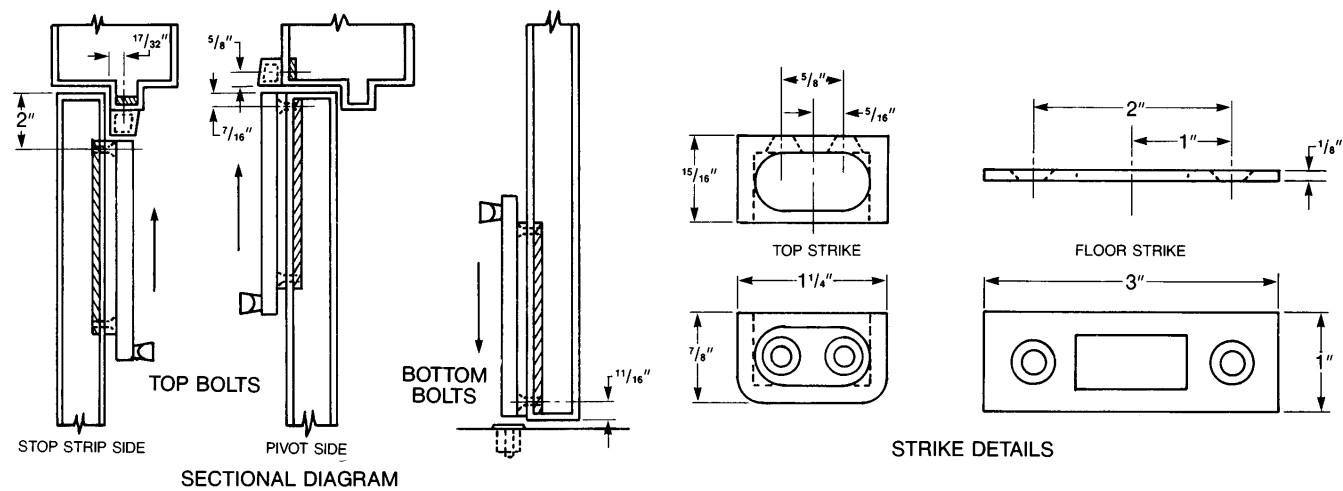
©1997 Printed in U.S.A.

GLYNN-JOHNSON

SURFACE BOLTS

1600 SERIES

CONCEALED MOUNTING



1600 SERIES SURFACE BOLTS

Model #	Material	UL Listed	Description
1631	steel	yes	8" Bolt packed with bottom strike
1631L	steel	yes	8" Locking bolt packed with bottom strike
1632	steel	yes	8" Bolt packed with bottom strike
1632L	steel	yes	8" Locking bolt packed with bottom strike
1641	brass	no	8" Bolt packed with bottom strike
1641L	brass	no	8" Locking bolt packed with bottom strike
1642	brass	no	8" Bolt packed with bottom strike
1642L	brass	no	8" Locking bolt packed with bottom strike
1651	steel	yes	8" Bolt packed with top and bottom strikes
1651L	steel	yes	8" Locking bolt packed with top and bottom strikes

On locking bolts, specify keyed alike or keyed different

Glynn-Johnson Door Controls
 Ingersoll-Rand Company
 P.O. Box 6135
 Indianapolis, IN 46206

1-800-525-0336 (Customer Service)
 317-899-9440 (General Office)
 Fax:
 1-800-525-0337 (Customer Service)
 317-899-9432 (General Office)

In Canada:
 Ingersoll-Rand Door Hardware
 Port Credit P.O. Box 100
 Mississauga, Ontario L5G 4L5
 TEL: 905-278-6128 • FAX: 905-278-1413

©1997 Printed in U.S.A.

GLYNN-JOHNSON

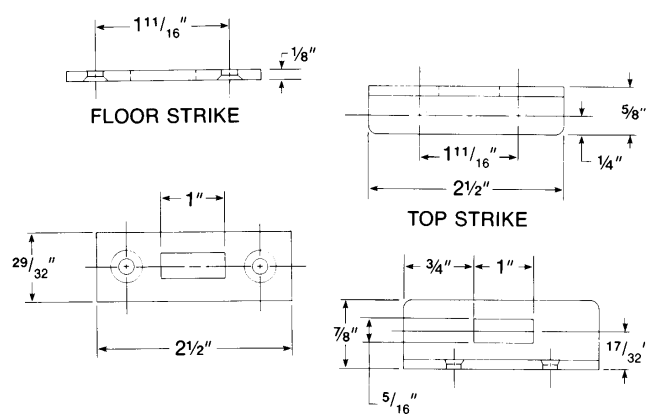
SURFACE BOLTS

1700 SERIES



1708B

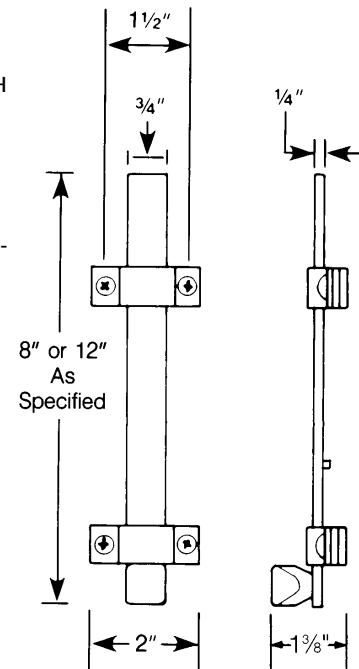
1708T



Glynn-Johnson 1700 Series Surface Bolts are furnished in a durable US-2G zinc plated finish and are available in attractive US-26D dull chrome. These bolts provide maximum security and attractive appearance and are suitable for use with doors of all types.

FEATURES INCLUDE:

- ALL UNITS PACKED WITH BOTH WOOD AND MACHINE SCREWS.
- SEX BOLTS AVAILABLE ON REQUEST.
- UNITS PACKED INDIVIDUALLY WITH TOP STRIKE (SUFFIX T), BOTTOM STRIKE (SUFFIX B), OR TOP AND BOTTOM STRIKES (SUFFIX TB).
- FLAT BOTTOM STRIKE ALLOWS FOR EASY CLEANING.
- AVAILABLE IN 8" OR 12" LENGTHS.



SCREW DETAIL:

- bolt: 4 - #12 - 24 x 1" pan head machine screws
- 4 - #12 x 1 1/4" flat head wood screws
- top & bottom: 2 - #10 x 1 1/2" flat head machine screws
- strikes: 2 - plastic expansion shields

1700 SERIES SURFACE BOLTS

CATALOG NO.	DESCRIPTION
1708T	8" BOLT WITH TOP STRIKE
1708B	8" BOLT WITH BOTTOM STRIKE
1708TB	8" BOLT WITH TOP/BOTTOM STRIKES
1712T	12" BOLT WITH TOP STRIKE
1712B	12" BOLT WITH BOTTOM STRIKE
1712TB	12" BOLT WITH TOP/BOTTOM STRIKES

ALL ABOVE UNITS AVAILABLE IN US2G, OR US-26D FINISHES.

Glynn-Johnson Door Controls
Ingersoll-Rand Company
P.O. Box 6135
Indianapolis, IN 46206

1-800-525-0336 (Customer Service)
317-899-9440 (General Office)
Fax:
1-800-525-0337 (Customer Service)
317-899-9432 (General Office)

In Canada:
Ingersoll-Rand Door Hardware
Port Credit P.O. Box 100
Mississauga, Ontario L5G 4L5
TEL: 905-278-6128 • FAX: 905-278-1413

©1997 Printed in U.S.A.