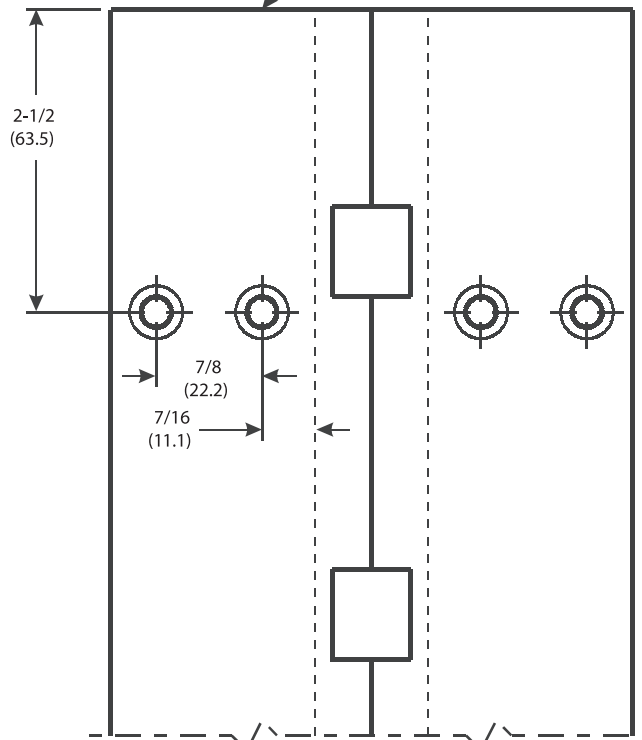
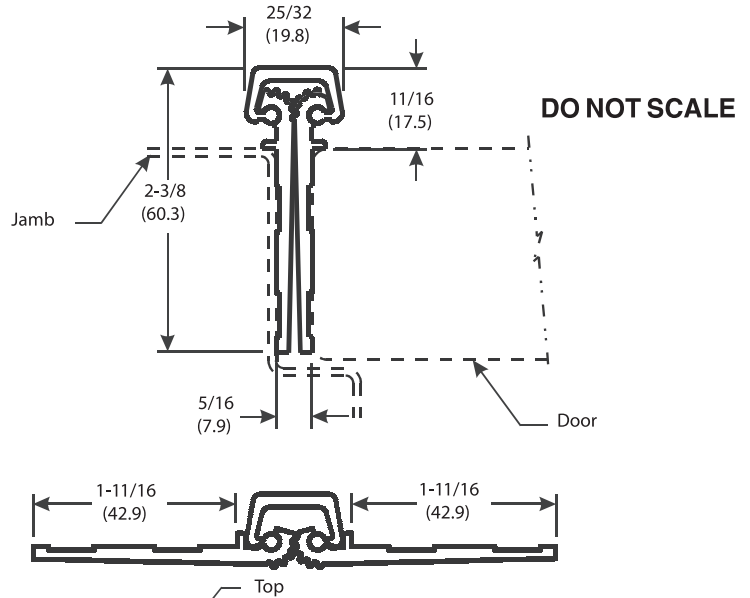
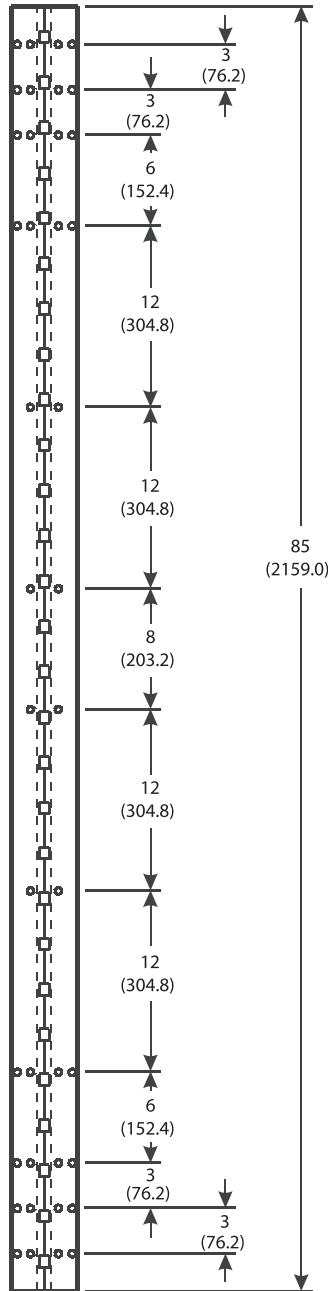


### 85" - MCK-12HD TEMPLATE EDGE MOUNTED CONTINUOUS ALUMINUM GEARED HINGE



McKINNEY Template Edge Mounted Continuous Aluminum Geared Hinge MCK-12HD is made to conform to this drawing and ANSI/BHMA 156.26  
McKINNEY MCK-12 hinge can be supplied with Electric Functions - See back.  
Machine Screw Size 12-24 x 3/4 F.H. Self-drilling TEK.  
Hinges are Listed for fire applications up to 90 minutes without special preparation; for 3 hour openings using hollow metal doors and hollow metal frames on Masonry/Drywall, Fire Pins (supplied separately) must be used. - See back for locations.

**Continued...**

**These templates can be found on our website at [www.mckinneyhinge.com](http://www.mckinneyhinge.com)**

McKINNEY Products Company • 225 Episcopal Road • Berlin, CT 06037 • PHONE: 800-346-7707 • FAX: 800-541-1073

ASSA ABLOY, the global leader in door opening solutions

# TEMPLATE 607-10 Continued.

Effective date: August 20, 2010  
 Supercedes: All Previous

# McKinney

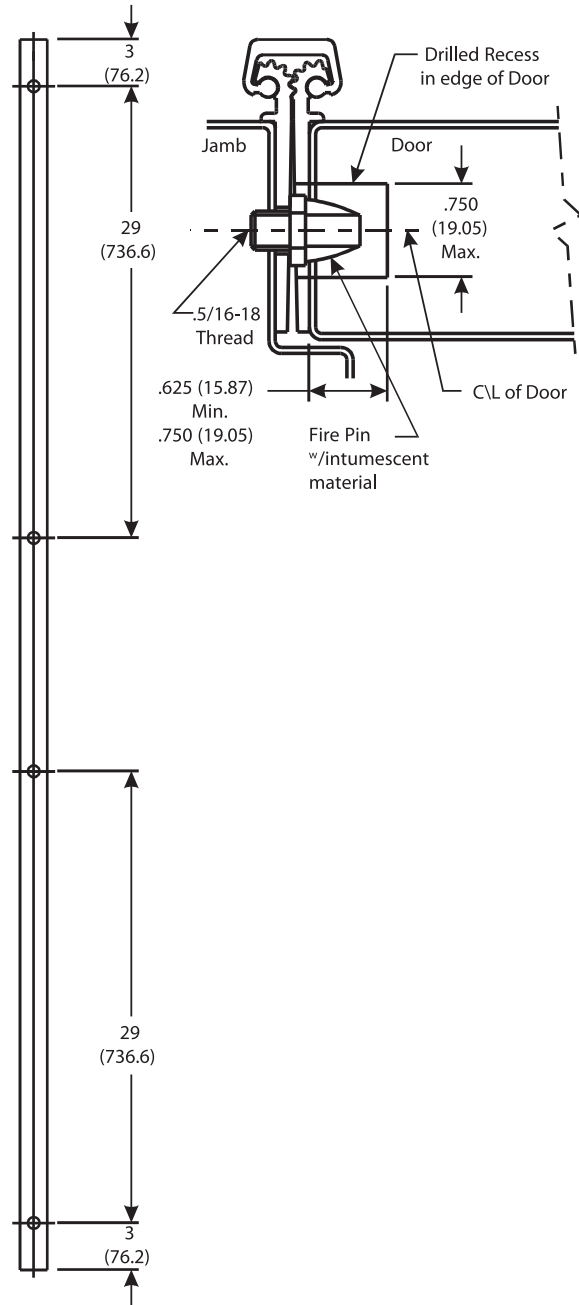
# ASSA ABLOY

TEMPLATE 607-10

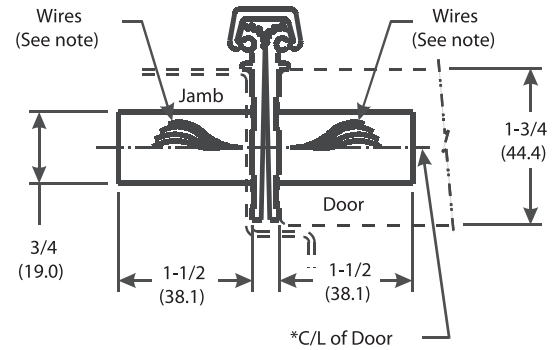
## 85" - MCK-12HD

### TEMPLATE EDGE MOUNTED CONTINUOUS ALUMINUM GEARED HINGE

#### Fire Pin Application



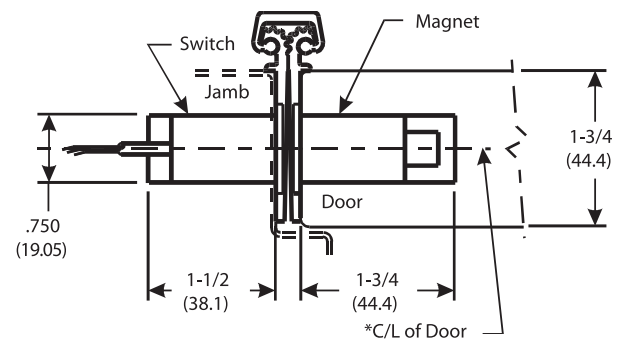
#### Concealed Circuit (CC) Application



Location	(CC4) 4 Wires	(CC8) 8 Wires	(CC12) 12 Wires
A	45.5 (1155.7)	42.5 (1079.5)	42.0 (1066.8)
B	-	3.0 (76.2)	1.0 (25.4)
C	-	-	2.5 (63.5)

Note: Wires are provided in sets of 4 wires.  
 One 3/4" Dia. hole is required in both the door and frame for each 4 wire set.

#### Magnetic Monitor (MM) Application



\*Vertical location from top of hinge=37" (939.8)

These templates can be found on our website at [www.mckinneyhinge.com](http://www.mckinneyhinge.com)

McKINNEY Products Company • 225 Episcopal Road • Berlin, CT 06037 • PHONE: 800-346-7707 • FAX: 800-541-1073

ASSA ABLOY, the global leader in door opening solutions