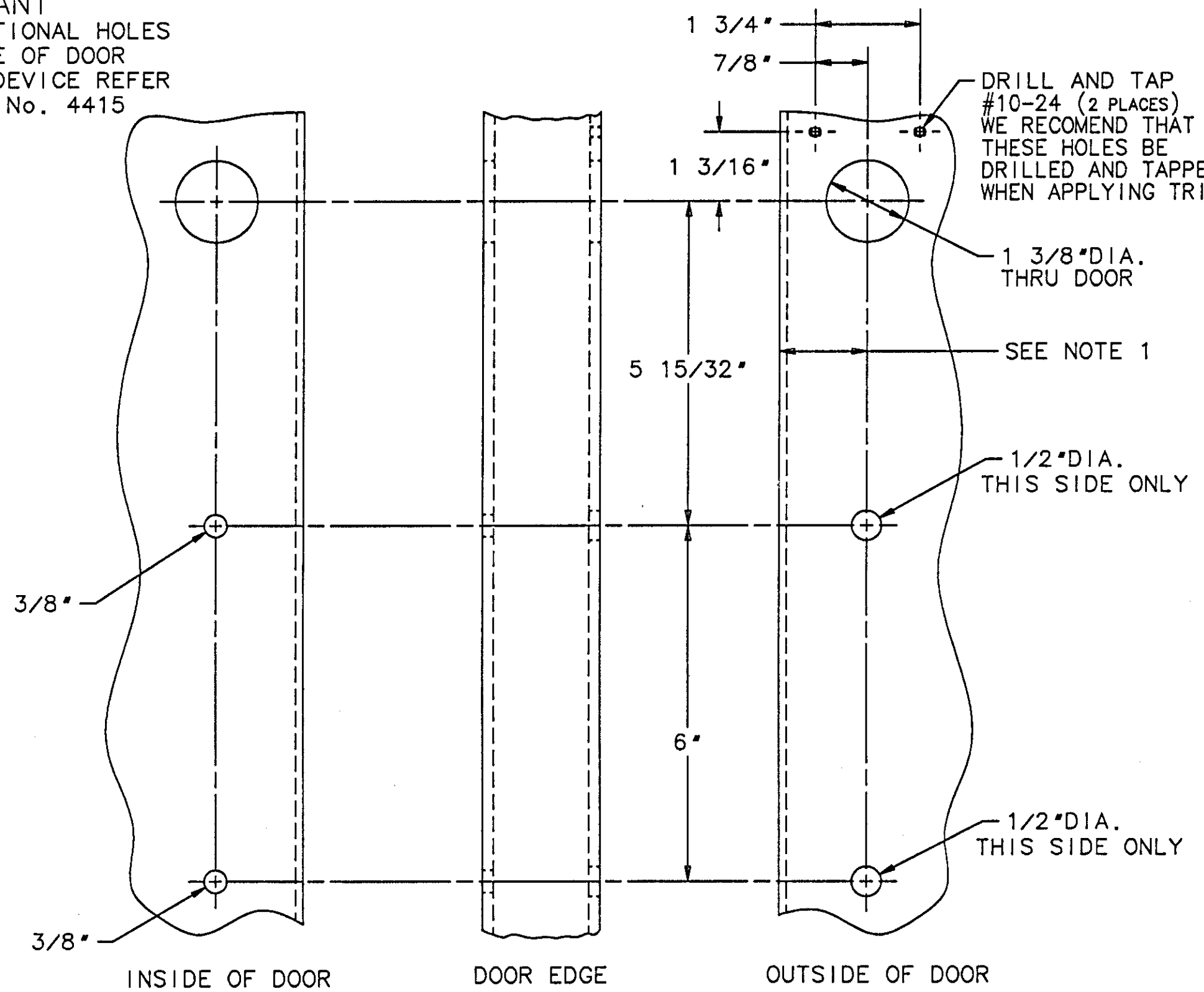
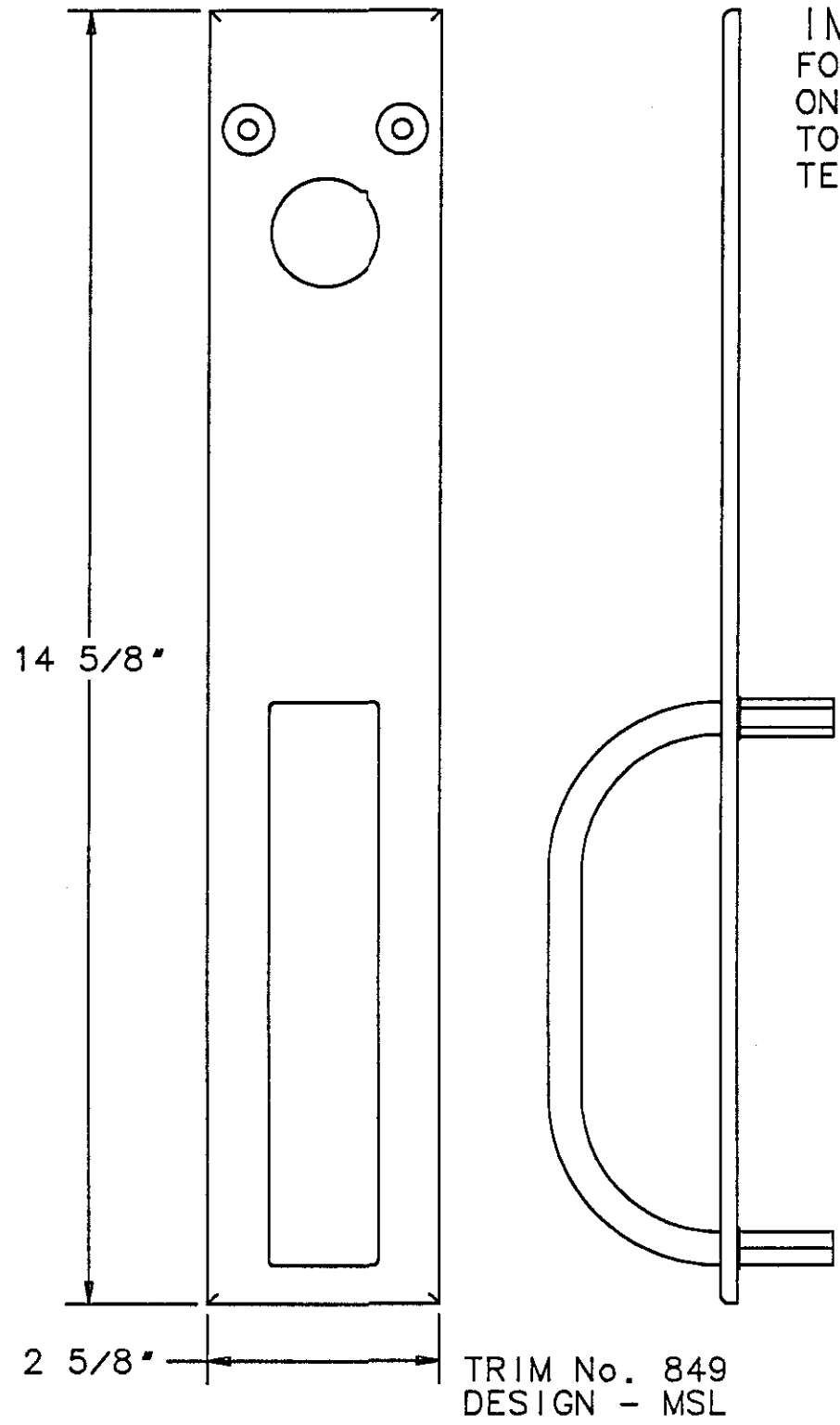


IMPORTANT  
 FOR ADDITIONAL HOLES  
 ON INSIDE OF DOOR  
 TO EXIT DEVICE REFER  
 TEMPLATE No. 4415



① REFER TO EXIT DEVICE TEMPLATE 4415  
 FOR LOCATION OF HORIZONTAL AND  
 VERTICAL CENTER LINES OF CYLINDER.

<b>SARGENT<sup>®</sup> Manufacturing Company</b> 100 Sargent Drive New Haven, CT 06511	
METAL DOOR TEMPLATE: MSL BY 8804	RELEASE DATE 15 AUG 02
	TEMPLET NO. 4545 B