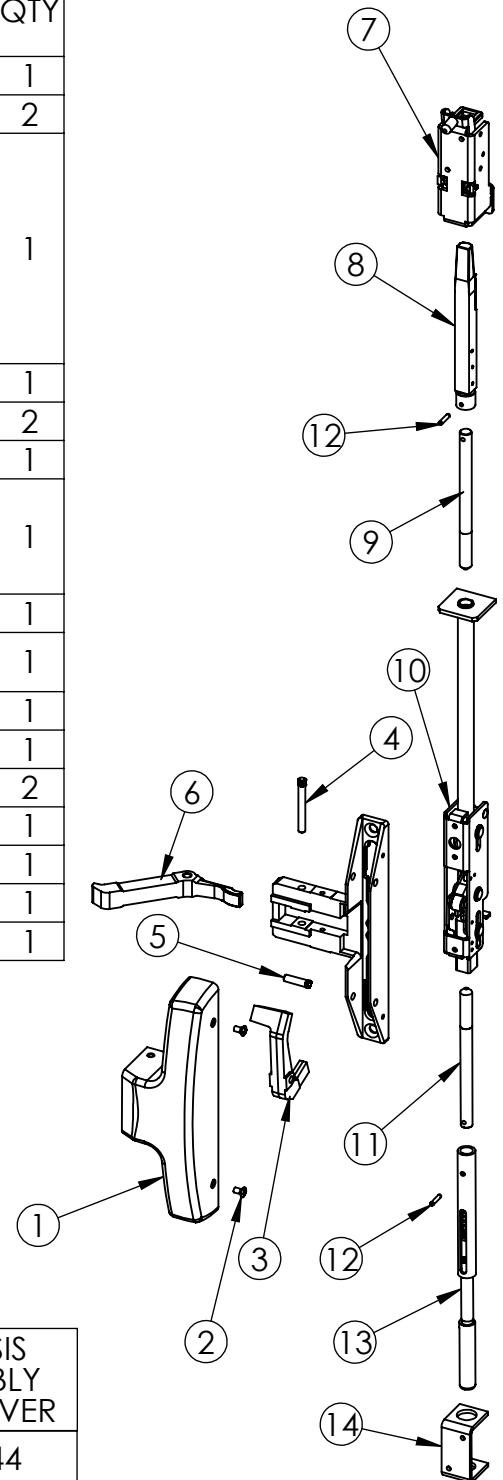


ITEM	ASSEMBLY NUMBER	PART NUMBER	DESCRIPTION	QTY
1		68-0496	CHASSIS COVER (NARROW) *	1
2		97-0052	SCREW #8-32 x 5/16" *	2
3		68-1644	LIFT LEVER (LHRB)	1
		68-1645	LIFT LEVER (RHRB)	
		68-1646	LIFT LEVER (LHRB 1/2" PANEL)	
		68-1647	LIFT LEVER (RHRB 1/2" PANEL)	
		68-1649	LIFT LEVER (1/4" LHRB)	
		68-1650	LIFT LEVER (1/4" RHRB)	
4		68-0239	PIVOT PIN (LIFT ARM)	1
5		68-0479	LIFT LEVER PIVOT PIN	2
6		68-0241	LIFT ARM	1
7		68-5374	TOP CASE ASSEMBLY (STANDARD)	1
		68-5375	TOP CASE ASSEMBLY (1/4" PANEL)	
		68-5376	TOP CASE ASSEMBLY (1/2" PANEL)	
8	MD691T	68-4840	TOP BOLT ASSEMBLY	1
9		MD660T	TOP ROD (SPECIFY DOOR SIZE x CROSSBAR HEIGHT)	1
10	94-2008	-	INNER CASE ASSEMBLY	1
11	691B	660B	BOTTOM ROD	1
12		01-0696	SPIROL PIN	2
13		-	BOTTOM BOLT ASSEMBLY	1
14		68-0037	BOTTOM CASE	1
-		68-2561	SCREW PACK	1
-		640	ALUMINUM DOOR STRIKE PACK	1

* SPECIFY FINISH



		CHASSIS ASSEMBLY LESS COVER	
AD8400	ALL FUNCTIONS	LHRB	68-5944
		RHRB	68-5945
		LHRB (1/2" PANEL)	68-5946
		RHRB (1/2" PANEL)	68-5951
		LHRB (1/4" PANEL)	68-6013
		RHRB (1/4" PANEL)	68-6014