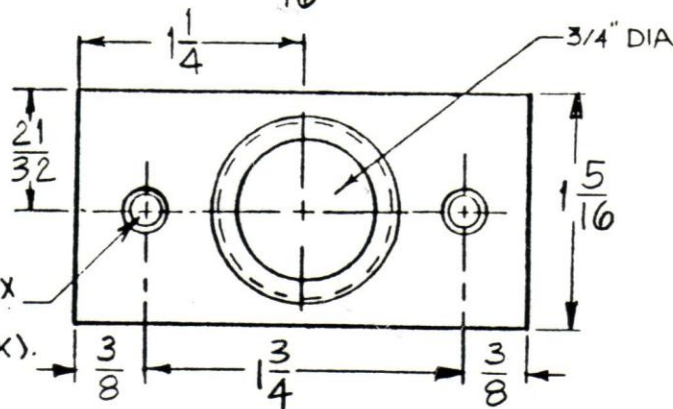
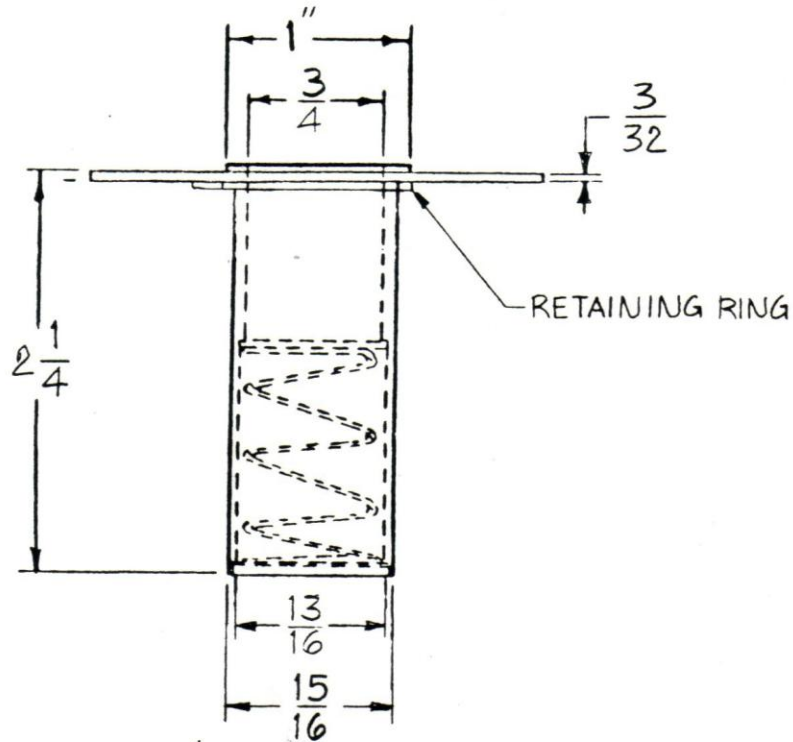


NOTES :

1. ADD SUFFIX "N" TO PART NUMBER FOR DUST PROOF STRIKE LESS FACE PLATE.

A	REVISED: 3-13-87
B	REVISED: 8-17-95
C	REVISED: 9-16-95 TA



8/32 X 1/2 OHPHMS X
8/32 EXP. SHIELD.
(3/16 DIA. HOLE C'SNK).

001102

DWG. NO. 11561



Triangle Brass Manufacturing Company, Inc.
3528 Emery Street, P.O. Box 23277
Los Angeles, CA 90023, USA

3910
DUST PROOF STRIKE
DR. BY: L.R.

Book No. _____ Date Requested: _____
This template is provided for use only on
the job for which it was requested.
Trimco reserves the right to make design
changes without notice.