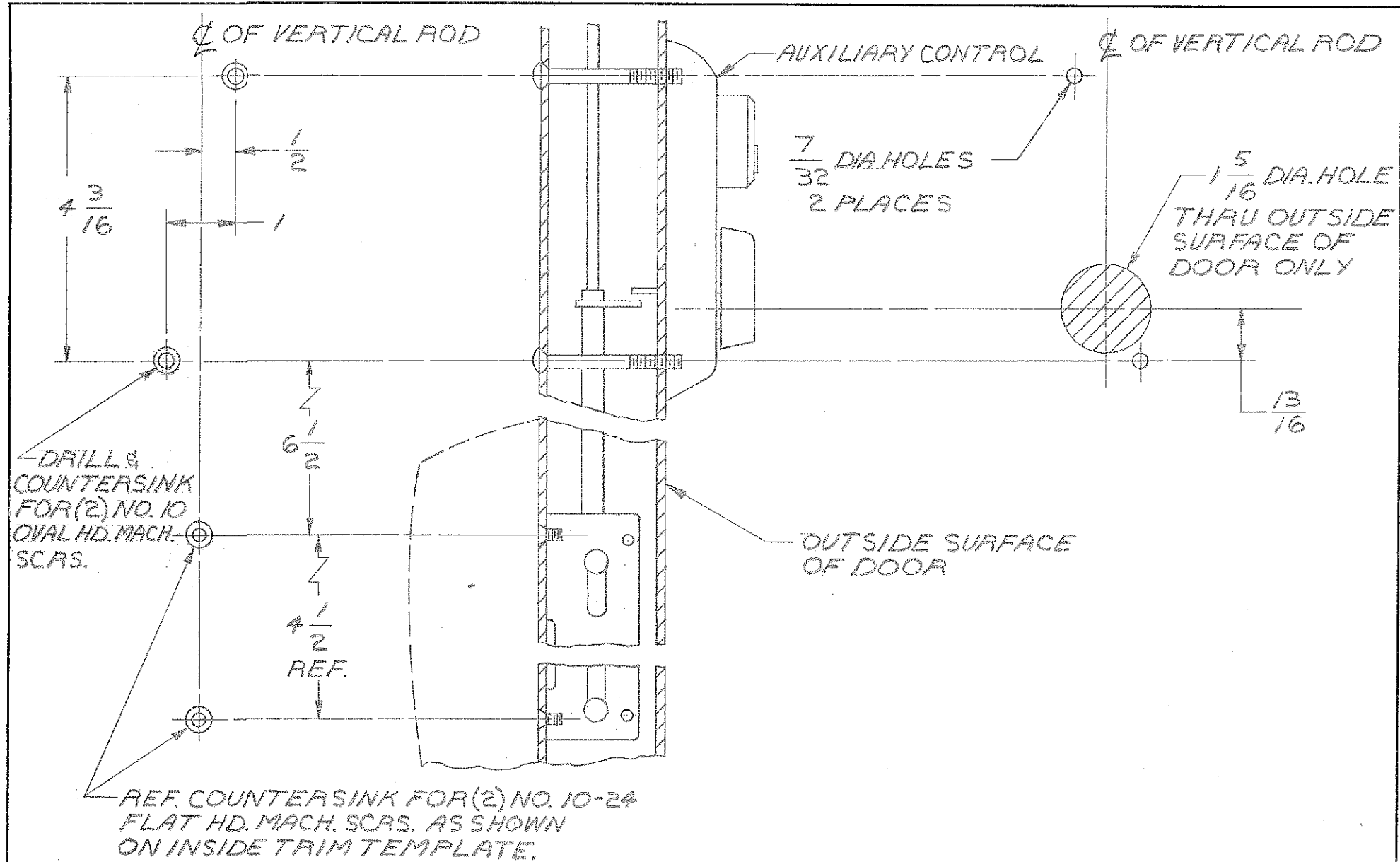


TRIM BORDER LINE



DRILL & COUNTERSINK FOR (2) NO. 10 OVAL HD. MACH. SCRS.

REF. COUNTERSINK FOR (2) NO. 10-24 FLAT HD. MACH. SCRS. AS SHOWN ON INSIDE TRIM TEMPLATE.

- ② ABOVE DOOR PREPARATION IDENTICAL FOR BOTH L.H.R.B. AND R.H.R.B. DOOR.
- ① FOR ADDITIONAL DOOR PREPARATIONS SEE APPROPRIATE INSIDE TRIM TEMPLATE.

③
②
①

SARGENT & COMPANY		NEW HAVEN 9, CONN.	
METAL DOOR TEMPLATE FOR #106 & #113 AUXILIARY CONTROL.		RELEASE DATE 6 SEPT 88	
		TEMPLAT NO. 4212 D	

SYM	REVISIONS	APPR'D.
D	REF TO 6410, 9410 AND 9610 EXIT DEVICE REMOVED.	9-6-88 JE
C	9410 AND 9610 E.D. ADDED	7-27-86 JAG
B	WAS 9410 & 9610 EXIT DEVICE	3-7-85 JAG
A	ORIG. RELEASE	7-11-69 JAG

RELEASE 7-11-69	APPROVALS		
SUPERSEDES DWG.	ART. CONCEALED VERTICAL ROD E.D. x AUX. CONTROL		
SCALE 1/2	DRAWN 92.C.D.	PART METAL DOOR TEMPLATE	
CHECK JAG	APPR'D. JAG		
DO NOT SCALE DRAWING	SARGENT & CO. NEW HAVEN, CONN.	DWG. NO. 4212	REV. D