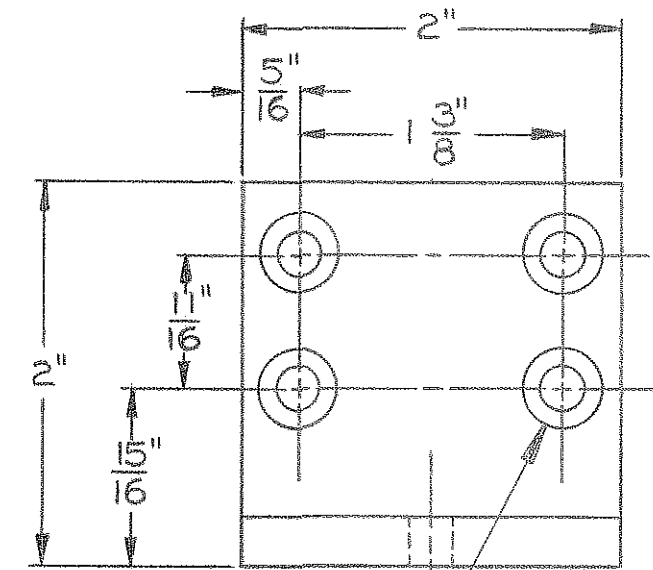
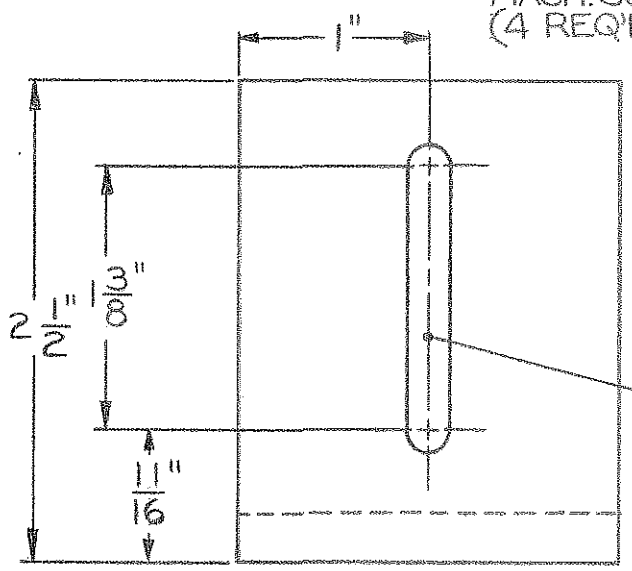


BLADE STOP SPACER MUST BE USED FOR FRAME WITH BLADE STOP. TAP FRAME FOR #12-24 SCREWS

IMPORTANT
DETERMINE IF MOUNTING SHOWN IS POSSIBLE. FRAMES WITH BLADE STOP VARY IN SIZE. DIMENSIONALLY CHECK FRAME BEING USED.



#12-24 x 5/8" MACH. SCREW (4 REQ'D)



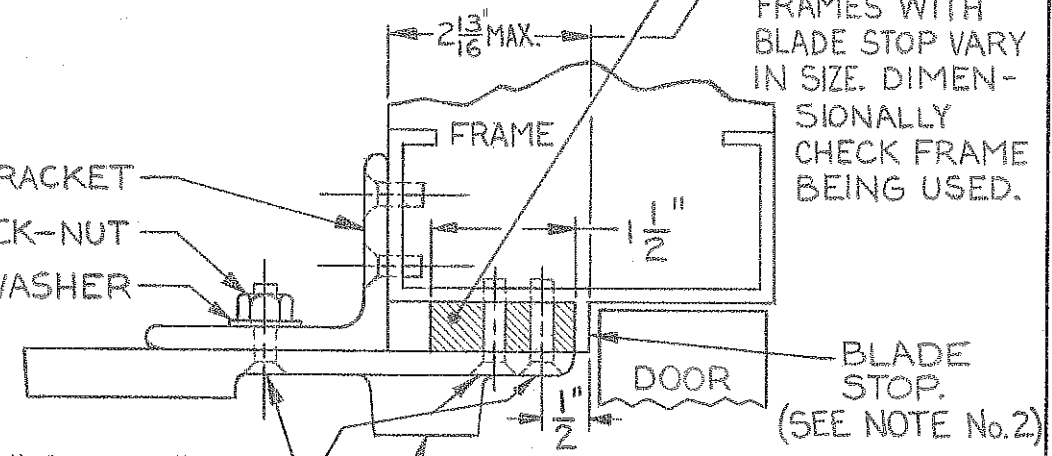
125-V BRACKET.

125-V BRACKET
LOCK-NUT
WASHER

#12-24 x 1" MACH. SCREW

#12-24 x 1/4" MACHINE SCREW - 4 REQ'D. THESE SCREWS ARE PACKED WITH SARGENT'S #125-V BRACKET

CENTER ON MOUNTING SCREW HOLE IN CLOSER FOOT BRACKET.



DOOR CLOSER FOOT BRACKET FOR PS, PSH, PED, PIO, CPS & CASH ARMS. SEE DATA SHEETS LISTED BELOW FOR THE LOCATION OF THE BRACKET ON THE DOOR FRAME AND THE SPACING OF MOUNTING SCREW HOLES.

DOOR CLOSER	ARM TYPE	DATA SHEET
207 SERIES	PS & PSH	A6432
237 SERIES	PIO	A6453
357 SERIES	PS & PSH	A6757
357 SERIES	PED	A6756
1430 SERIES	PS & PSH	A7124
1430 SERIES	PED	A7123

- ② SEE DATA SHEET A6444 WHEN FRAME HAS WIDER STOP.
- ① 12 GAUGE MM. REINFORCEMENTS REQUIRED FOR METAL DOORS AND FRAMES.
- ③ FOR P-10 ARM MOVE BRACKET MOUNTING SCREWS CLOSER TO FRAME FACE.

SARGENT & COMPANY

NEW HAVEN 9, CONN.

DATA SHEET:
125-V BRACKET FOR
FRAME WITH BLADE STOP

RELEASE DATE
26 SEPT. 97
TEMPLER NO.
A6523 H