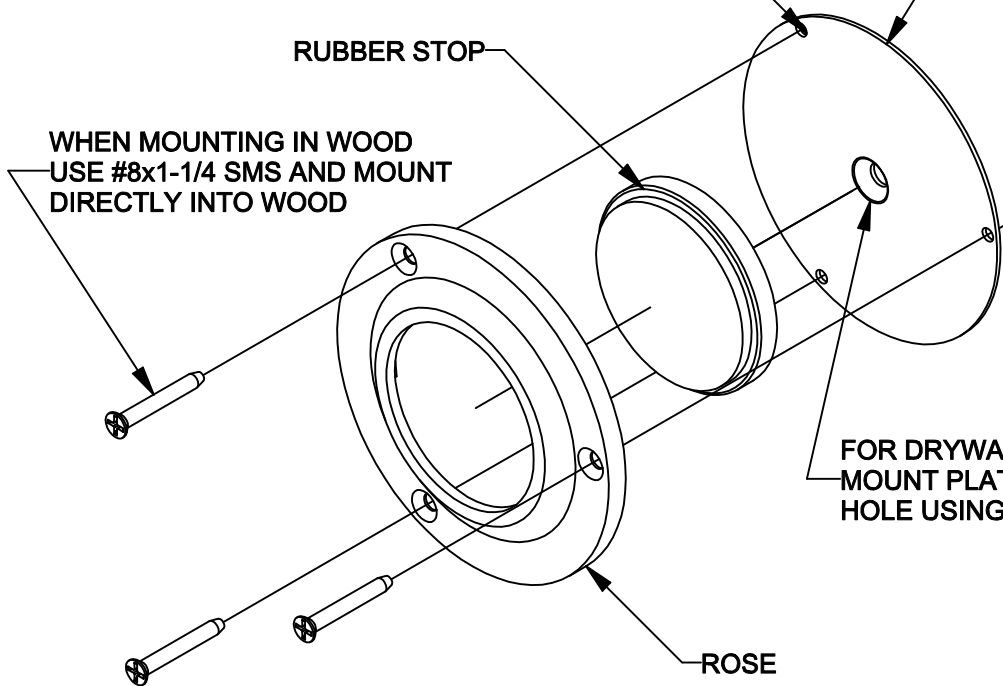


USE #6 X 1/4 SMS TO MOUNT ROSE
TO MOUNTING PLATE WHEN
MOUNTING PLATE IS USED

MOUNTING PLATE
FOR DRYWALL AND MASONRY
APPLICATIONS ONLY

RUBBER STOP

WHEN MOUNTING IN WOOD
USE #8x1-1/4 SMS AND MOUNT
DIRECTLY INTO WOOD



FOR DRYWALL AND MASONRY APPLICATION
MOUNT PLATE FIRST THROUGH CENTER
HOLE USING RELEVANT HARDWARE

ROSE

INSTALLATION INSTRUCTIONS:

1. USING DOOR FOR REFERENCE, MARK CONTACT POINT OF KNOB/LEVER TO WALL.
2. USING RUBBER STOP AND ROSE, VERIFY CONTACT POINT BEFORE MOUNTING.
3. FOLLOWING MOUNTING DETAIL ABOVE PENDING MOUNTING APPLICATION.

NOTE: This template is provided for use only on the job for which is was requested. Trimco reserves the right to make design changes without notice. Trimco will not be responsible for errors or damage caused by the use of out-of-date templates.

DATE

12/10/08