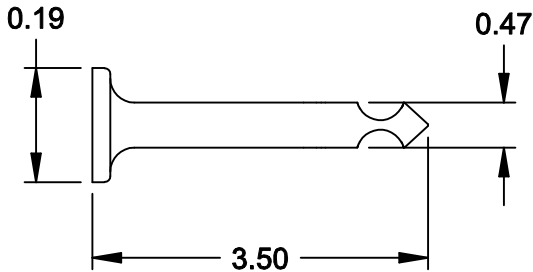
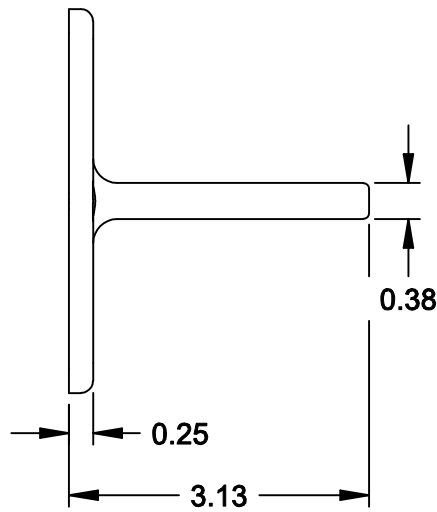


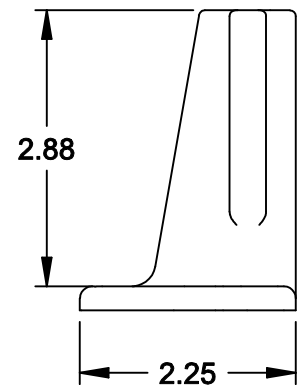
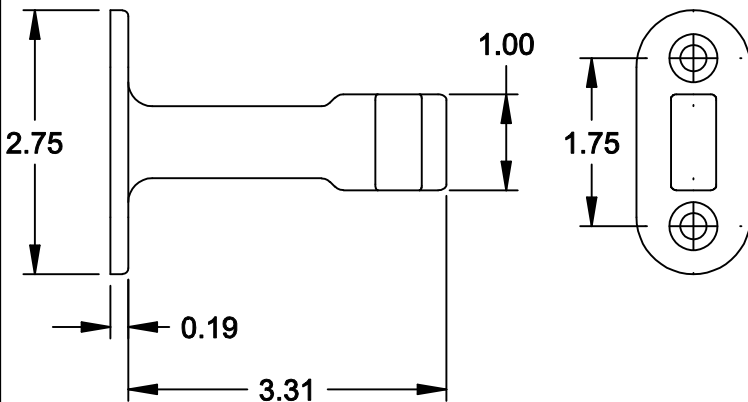
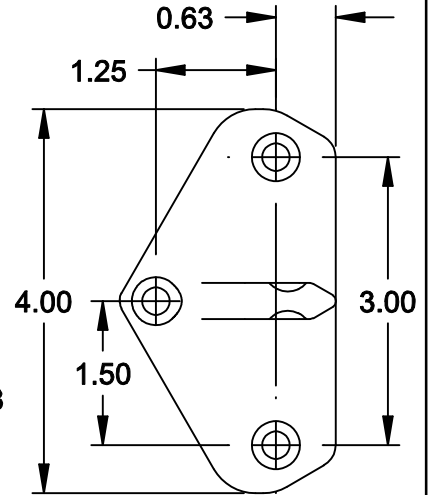
1283 BODY - SUPPLIED WITH THREE (3) 1/4-20 X 2-1/4" FH MS AND THREE (3) 1/4" FINISHING WASHERS



-4S STRIKE



-2S STRIKE



BOTH STRIKES SUPPLIED WITH 1/4-20 X 1-1/4" FH MS AND 1/4" X 1-1/4" FH WS

NOTE: This template is provided for use only on the job for which it was requested. Trimco reserves the right to make design changes without notice. Trimco will not be responsible for errors or damage caused by the use of out-of-date templates.

DATE

11/4/07