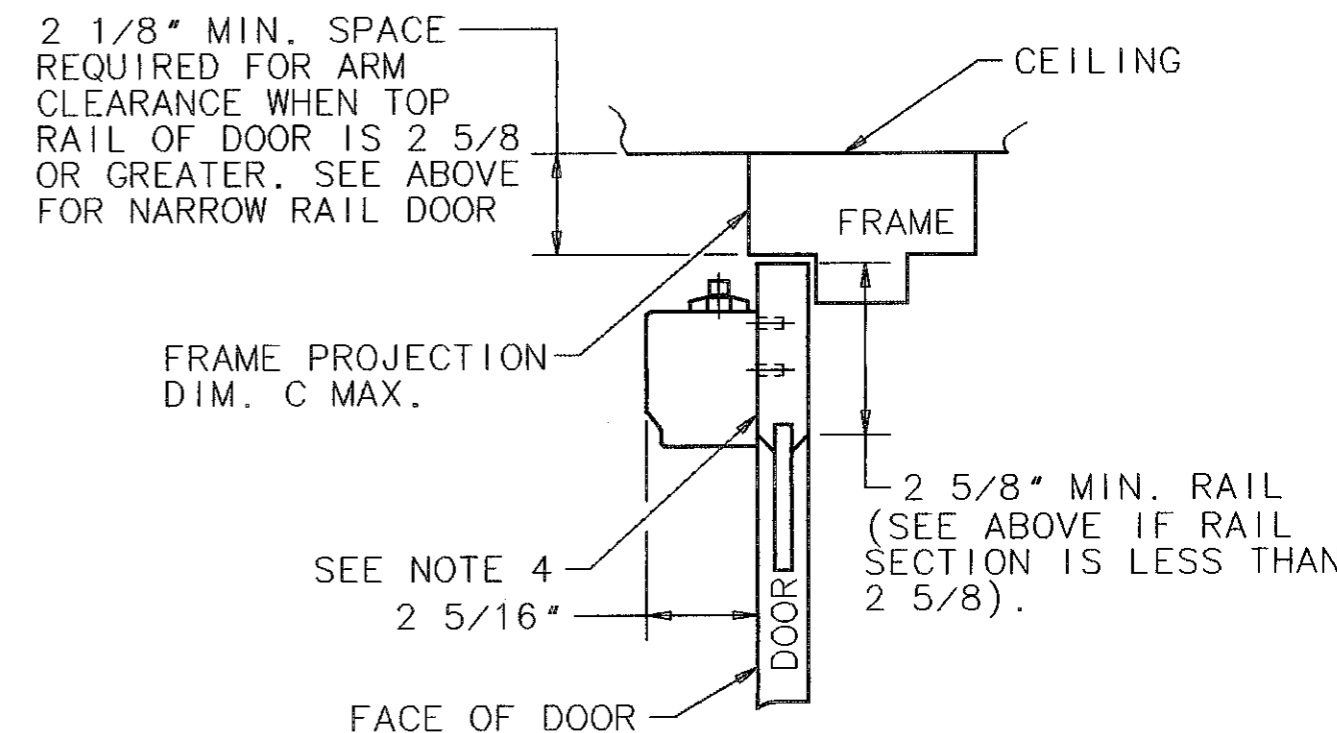
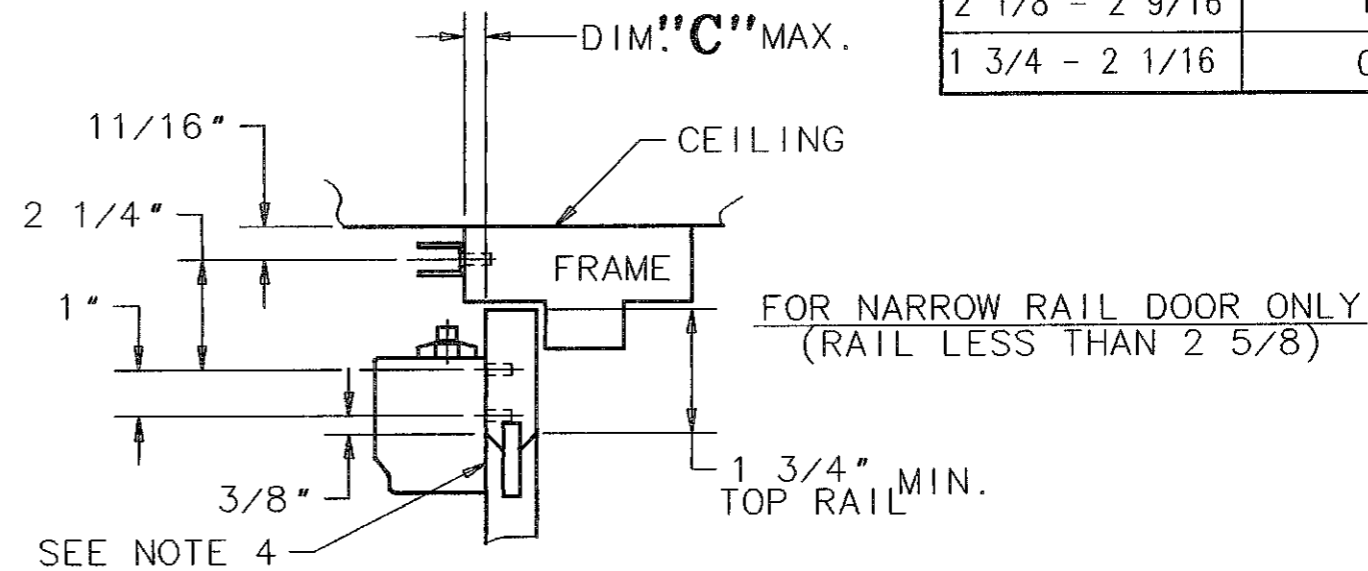
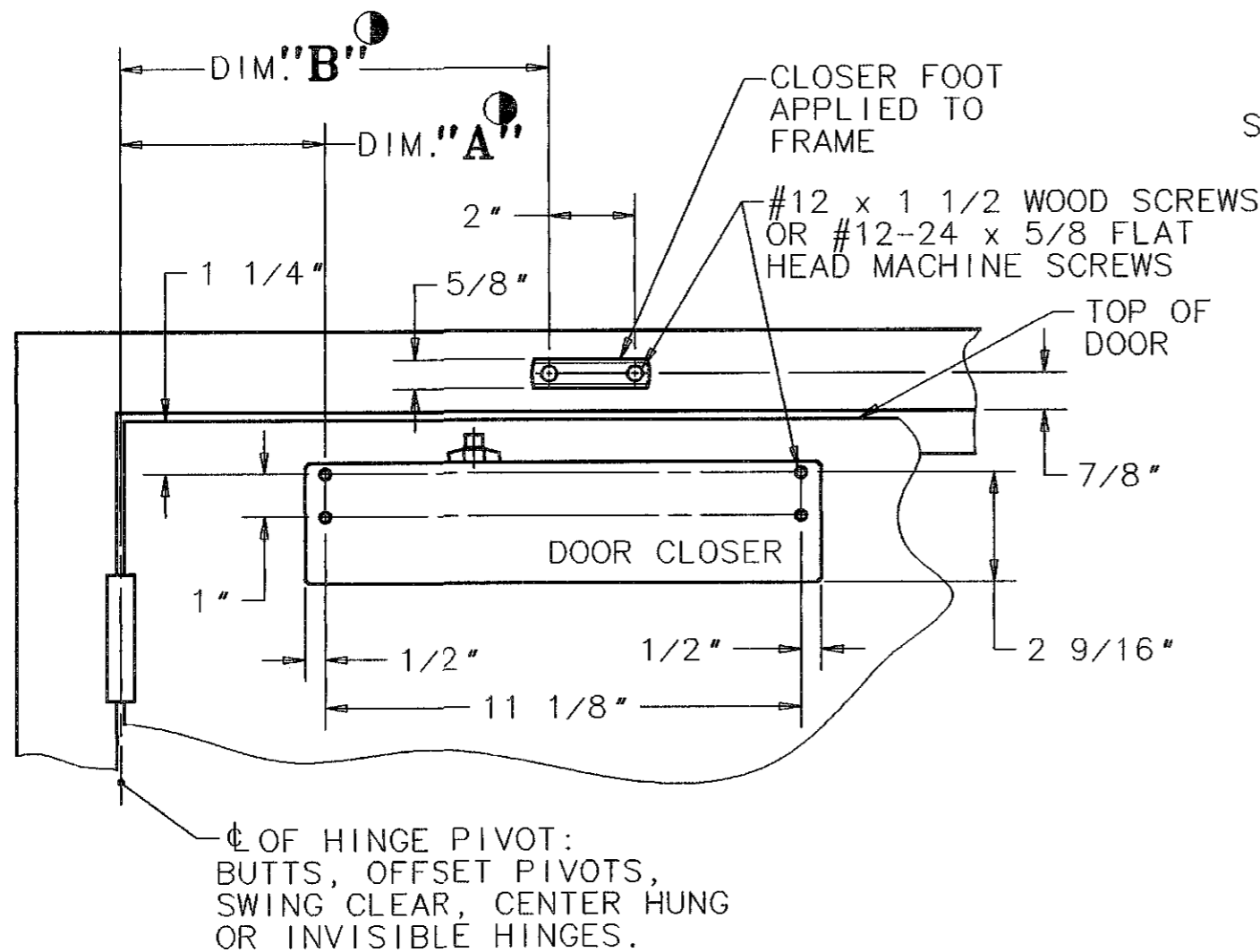


IMPORTANT: USE ALTERNATE MOUNTING IF DOOR CAN OPEN BEYOND LIMITS SHOWN FOR STANDARD MOUNTING

ARM TYPE	MOUNTING	MAX. DOOR OPENING	DIM. "A"	DIM. "B"
REGULAR ARM NO HOLDER	STANDARD	120°	6 3/4"	12 1/8"
	ALTERNATE	160°	4 3/4"	10 1/8"

FRAME PROJECTION PERMITTED FROM FACE OF DOOR

TOP DOOR RAIL MIN.	DIM. "C"
2 5/8	7/16
2 1/8 - 2 9/16	1/8
1 3/4 - 2 1/16	0



- ③ IF BUTT, FRAME AND WALL CONDITIONS PERMIT, CLOSER WILL ALLOW DOOR TO OPEN 180°.
- ② RIGHT HAND DOOR SHOWN. LEFT HAND OPPOSITE.
- ① 12 GAUGE MIN. REINFORCEMENT REQUIRED FOR METAL DOORS & FRAMES.

- ⑤ THIS DIMENSION IS TAKEN FROM HINGE EDGE OF DOOR FOR INVISIBLE HINGES.
- ④ 1430-J COVER PLATE MAY BE USED WHEN CLOSER IS VIEWED THRU GLASS PANEL.

SARGENT MANUFACTURING COMPANY		NEW HAVEN, CONN. 06511	
DATA SHEET: 1430		EFFECTIVE DATE	
SERIES CLOSER x STANDARD ARM		12 JUN 98	
APPLICATION REGULAR- "0" & "R0"		TEMPLET NO. A7128 B	