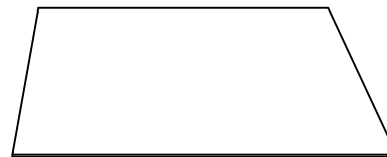
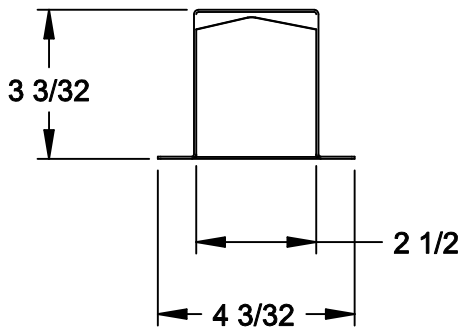
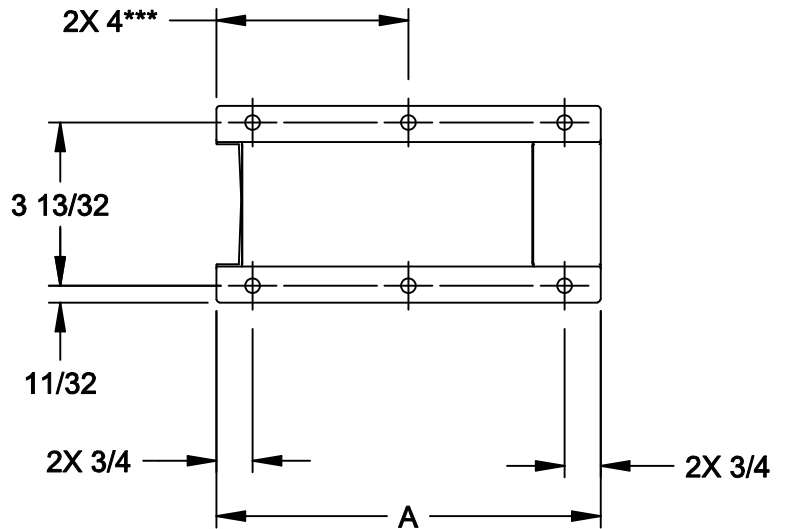


\*\*\*PG8125VV-1 IS AS DRAWN, WITH 6 MOUNTING HOLES. HOWEVER, PG8125VV-4 ONLY HAS 4 HOLES, THERE ARE NO MIDDLE HOLES ON PG8125VV-4.



PART NUMBER	DIMENSION A	# OF MOUNTING SCREWS
PG8125VV-1	8	6
PG8125VV-4	4	4

MOUNTING SCREWS SUPPLIED ARE: #10 X 1 FLAT HEAD, PHILLIPS DRIVE SHEET METAL SCREWS.

NOTE: This template is provided for use only on the job for which it was requested. Trimco reserves the right to make design changes without notice. Trimco will not be responsible for errors or damage caused by the use of out-of-date templates.

DATE

10/13/08