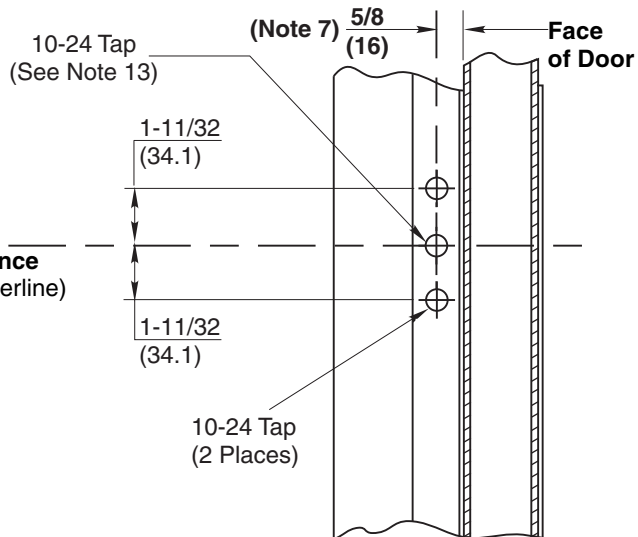
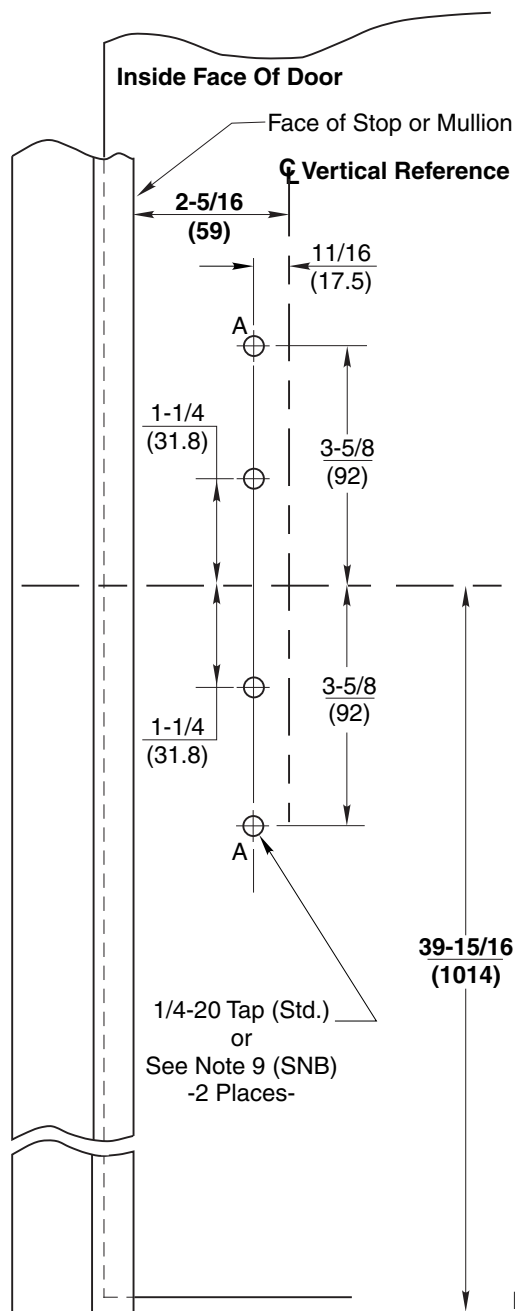


Strike Reinforcement
(See Note 6)

Notes:

1. Do not scale drawing.
2. Dimensions are in inches (mm).
3. LHR door shown. Preparation is typical for both door hands.
4. Minimum door stile width: 4-1/2(114).
5. Prepare mounting holes when installing the device.
6. Unreinforced frames require blind rivet nuts (by others) to mount the strike.
7. Dimension from door face.
8. For recommended door reinforcements see template 7400-0000. Unreinforced doors require SNB option to mount the device components.
9. Holes for optional SNB: 9/32 (7.00) dia. inside door face;
3/8 (9.50) dia. outside door face.
10. Provide door stiffeners as needed to prevent door collapse due to installation with power tools, door use, or abuse.
11. Device mount to hinge stile (not shown) requires hole location and preparation during device installation.
12. For outside trim preparation see appropriate trim template.
13. This hole MUST be field located using physical part as template, after installation is complete and device is fully operational.



Strike Preparation Detail

MULLION NOTE:
 FOR MULLION MODEL NUMBERS M100(F) AND KRM100(F)
 REFER TO TEMPLATE NUMBER 7400-0100.
 FOR MULLION MODEL NUMBERS M200(F) AND KRM200(F)
 REFER TO TEMPLATE NUMBER 7400-0200.
 FOR MULLION MODEL NUMBERS M200FWS AND
 KRM200FWS REFER TO TEMPLATE NUMBER 7400-0210.

2150 SquareBolt® Panic Devices with 757F Strike
 Application for Metal Door and Frame
 or Mullion (Not for Fire Labeled Devices)



An ASSA ABLOY Group brand

www.yalecommercial.com

TEMPLATE NUMBER

7421-0050

DATE

03-08