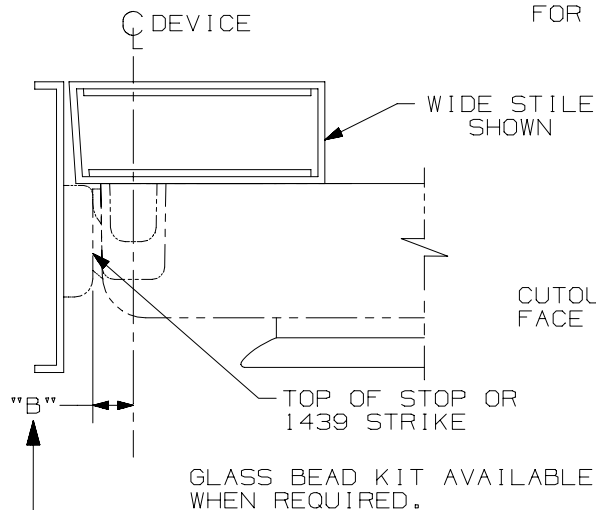


5/16" DIA. THRU  
ENLARGE TO 13/32" DIA.  
OUTSIDE FACE OF DOOR  
FOR SEX BOLTS  
2 HOLES

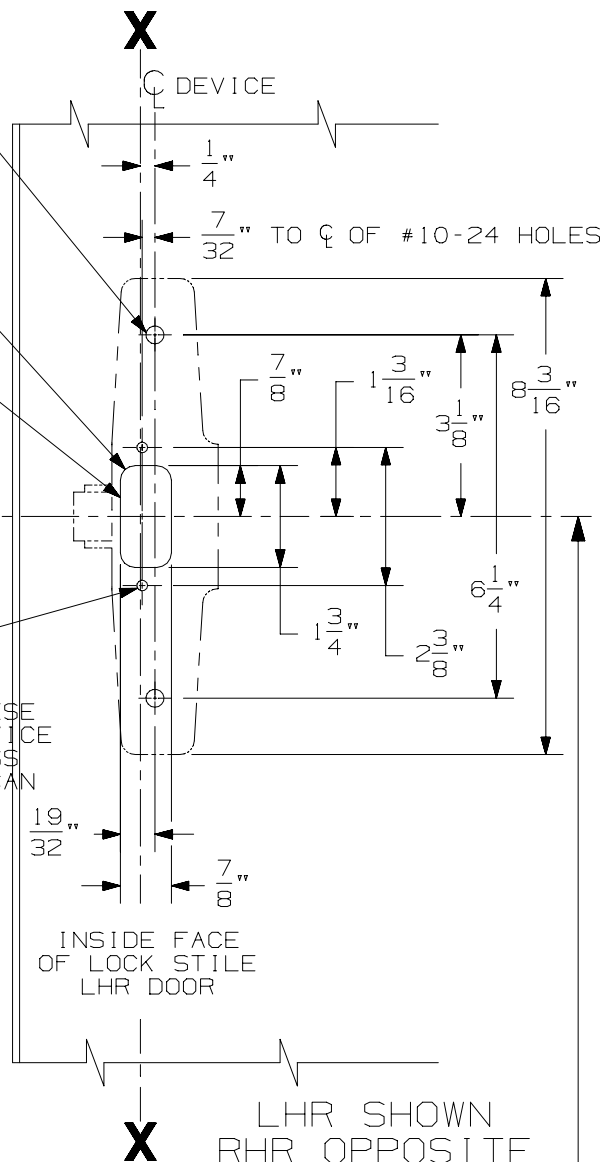


SINGLE DOOR INSTALLATION

STRIKE	DIMENSION "B"	RECOMMENDED MIN. STILE*
299	1 21/32"	2 7/8"
1439	27/32"	2"
1410	27/32"	2"

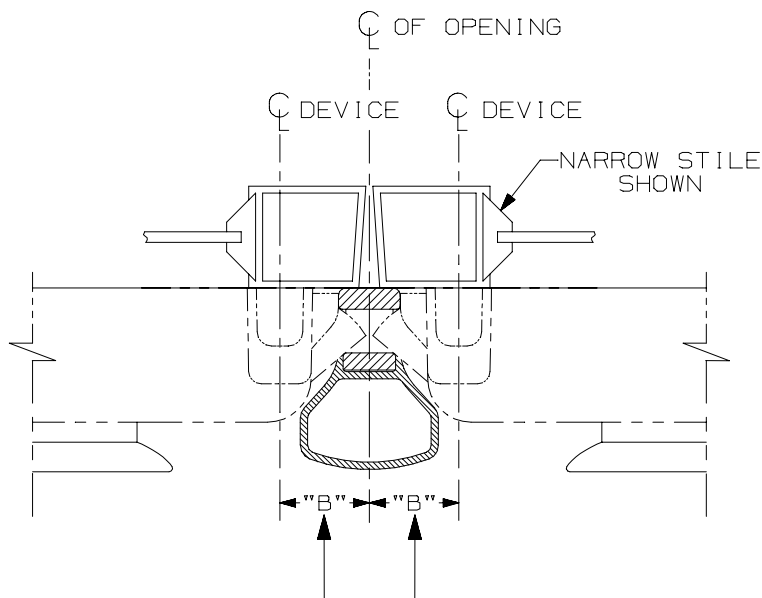
USE OF OUTSIDE TRIM MAY ALTER MINIMUM STILE REQUIREMENT. SEE TRIM TEMPLATE.

#10-24 UNC-2B  
INSIDE FACE ONLY  
2 HOLES  
DO NOT PREPARE THESE HOLES PRIOR TO DEVICE INSTALLATION UNLESS ±1/64" TOLERANCE CAN BE MAINTAINED



SINGLE DOOR OPENING  
39 13/16" TO FINISHED FLOOR.

DOUBLE DOOR OPENING  
WITH VON DUPRIN MULLION  
39 11/16"

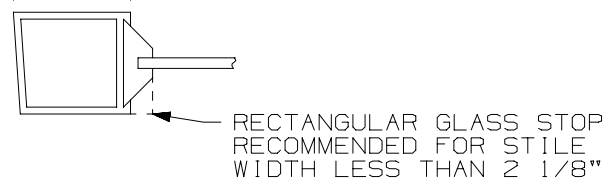


DOUBLE DOOR INSTALLATION  
WITH VON DUPRIN MULLIONS

MULLION	STRIKE	DIMENSION "B"	RECOMMENDED MIN. STILE*
4954	299	2 21/32"	3 3/8"
1654	1606	2 7/32"	2 15/16"
5654	299	2 3/16"	2 15/16"
5754	1408	1 3/8"	2"

USE OF OUTSIDE TRIM MAY ALTER MINIMUM STILE REQUIREMENT. SEE TRIM TEMPLATE.

MINIMUM STILE IS OVERALL STILE WIDTH LESS GLASS STOP



\* CONSULT FACTORY FOR STILE WIDTHS LESS THAN MIN. RECOMMENDED TO ENSURE PROPER APPLICATION

FOR OUTSIDE TRIM PREPARATION, WHEN REQUIRED, SEE TRIM TEMPLATE.

33A/35A SERIES RIM DEVICES



NOTE: SEE MASTER SHEET NO. 10001 FOR SUGGESTED REINFORCING

TEMPLATE NUMBER:

10048\_1

DATE:

02-06-04