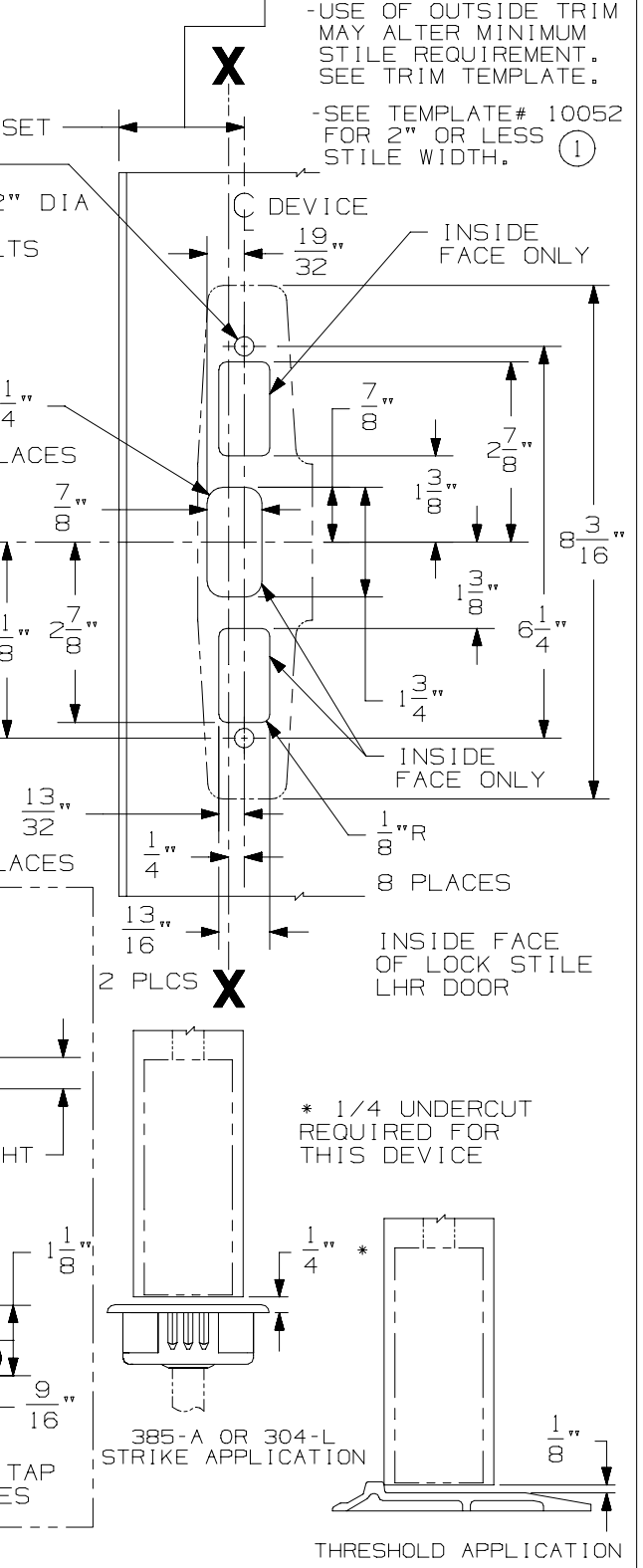
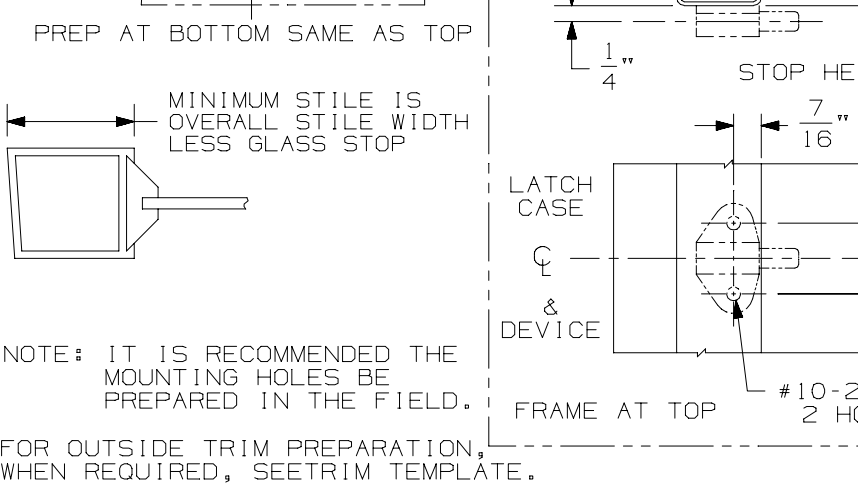
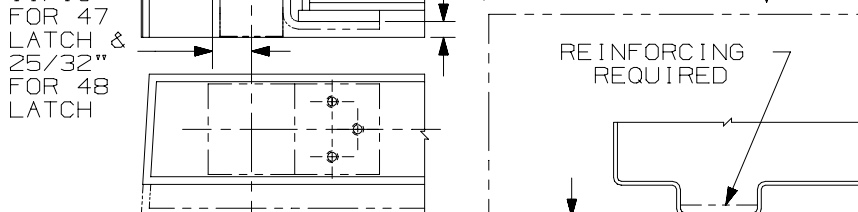
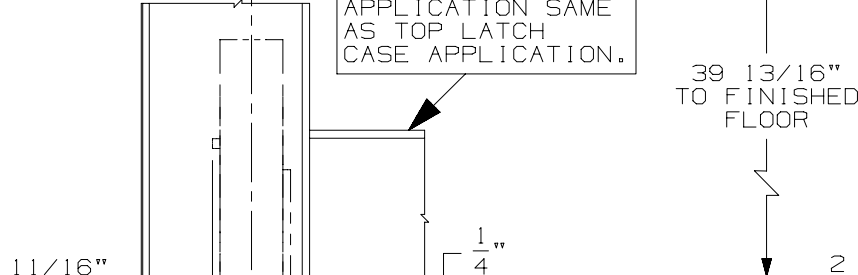
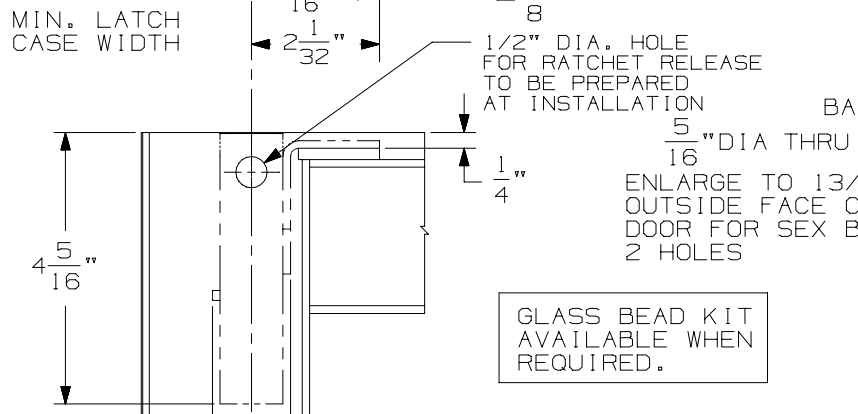
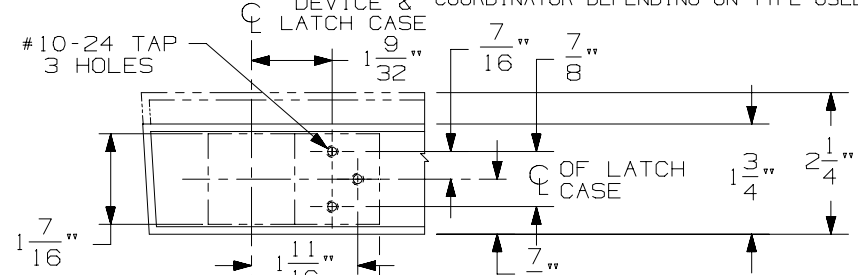


NOTE: BACKSET MAY VARY WHEN USED WITH COORDINATOR DEPENDING ON TYPE USED.

DEVICE INSTALLATION SCHEDULE

INSTALLATION	BACKSET	STILE WIDTH
TWO VERTICAL ROD DEVICES	1 3/16"	2 1/8" TO 2 3/4"
	1 1/2"	2 3/4" TO 3 3/4"
	1 7/8"	3 3/4" TO 5"
	2 1/2"	5" TO FLUSH
SINGLE DOOR	1 1/2"	2 1/2" TO 3 3/4"
	1 7/8"	3 3/4" TO 5"
	2 1/2"	5" TO FLUSH



33/3547A & 33/3548A SERIES CONCEALED VERTICAL ROD DEVICE



NOTE: SEE MASTER SHEET NO. 10001 FOR SUGGESTED REINFORCING

TEMPLATE NUMBER: 10051_1

DATE: 02-06-04