

VON DUPRIN®

Installation Instructions

Note: Use lock washers on top and bottom mullion fittings except for counter sunk screws.

1. Line up bottom mullion fitting with center of door opening and flush with closed doors (Figure 1 or 2) and install.
2. Line up top mullion fitting with center of door opening and flush with closed doors as shown in Figure 3 and install. See Figures 5, 6, and 7 (reverse side) for optional frame conditions.
3. Cut mullion body to length as shown in Figure 4.
4. Insert mullion in top fitting and slide bottom of mullion into place. See Figure 8 (reverse side).
5. Nest mullion into bottom fitting and secure set screw.
6. Install top mullion clamp over mullion and fitting with mounting screws. See Figure 8 (reverse side).
7. Adjust strikes for $1/32$ clearance between latch bolt and strike. See Figure 8 (reverse side).

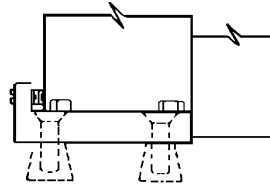


Figure 1

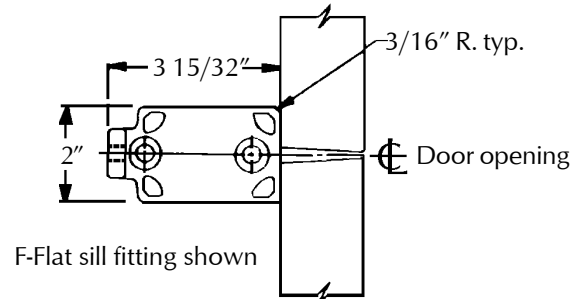


Figure 2

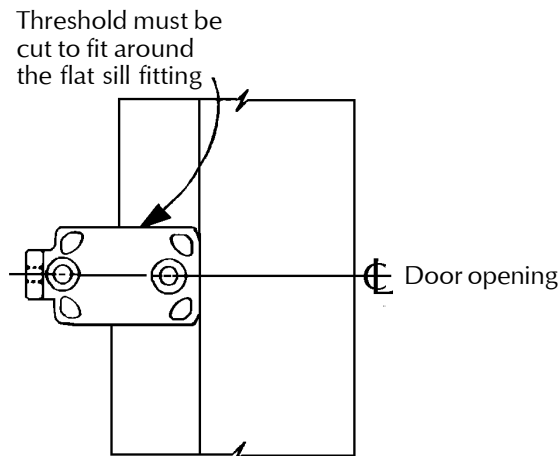
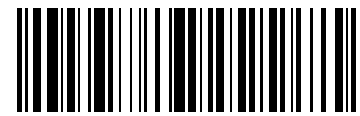
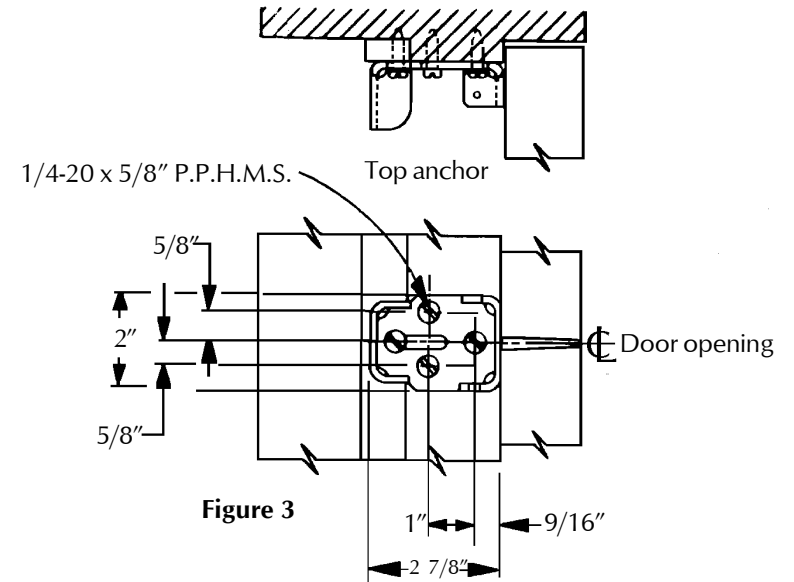


Figure 3



4954 REMOVABLE MULLION

For cutouts on inside face of door, see directions in device carton.

© 2006 Ingersoll-Rand
Company Limited

PAGE NO.
1 of 2

REVISION
10

941033-00

VON DUPRIN®

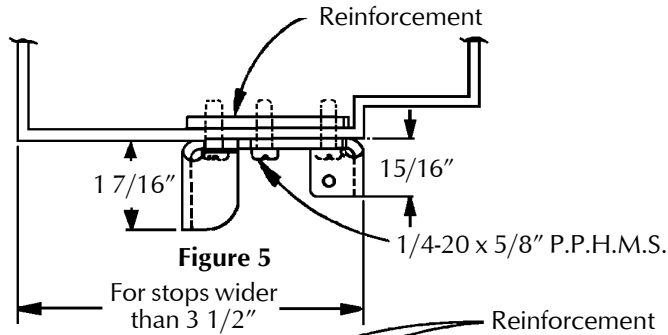


Figure 5

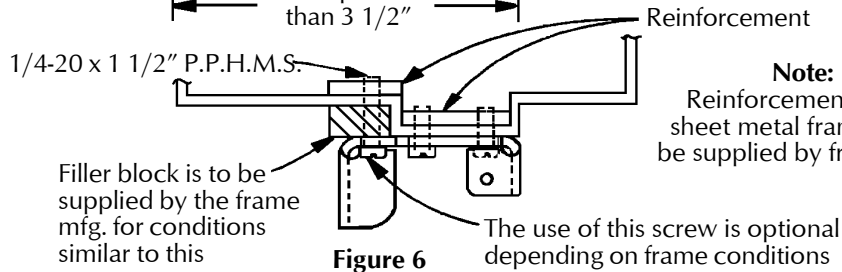


Figure 6

Note:
Reinforcement for all sheet metal frames is to be supplied by frame mfg.

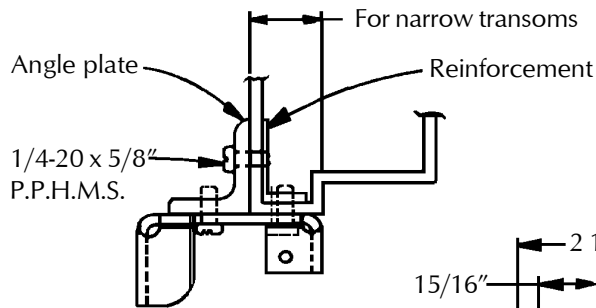


Figure 7

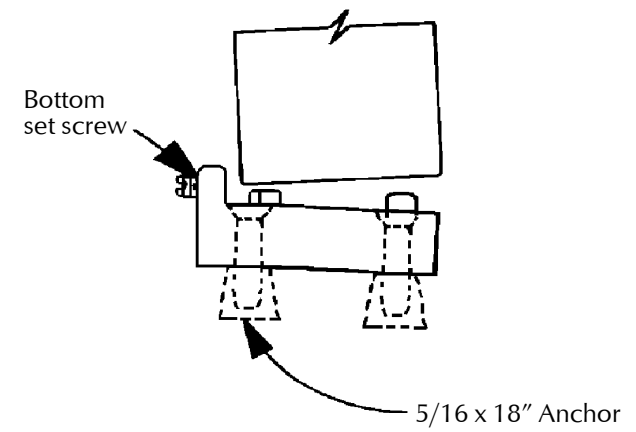
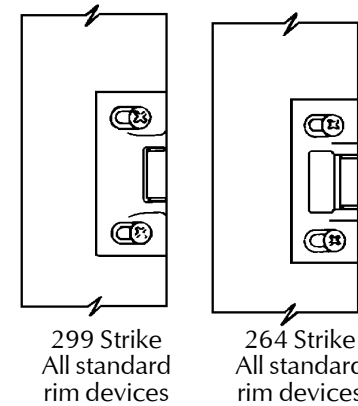
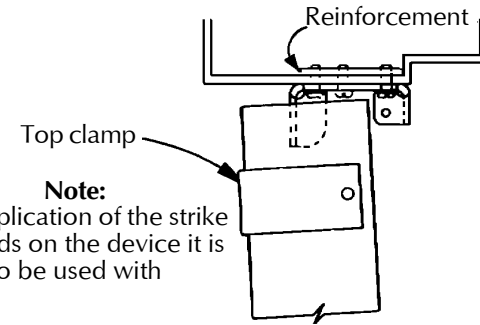
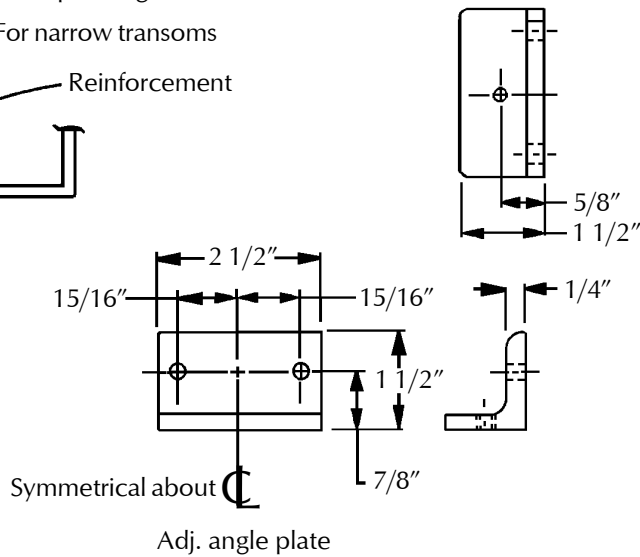


Figure 8