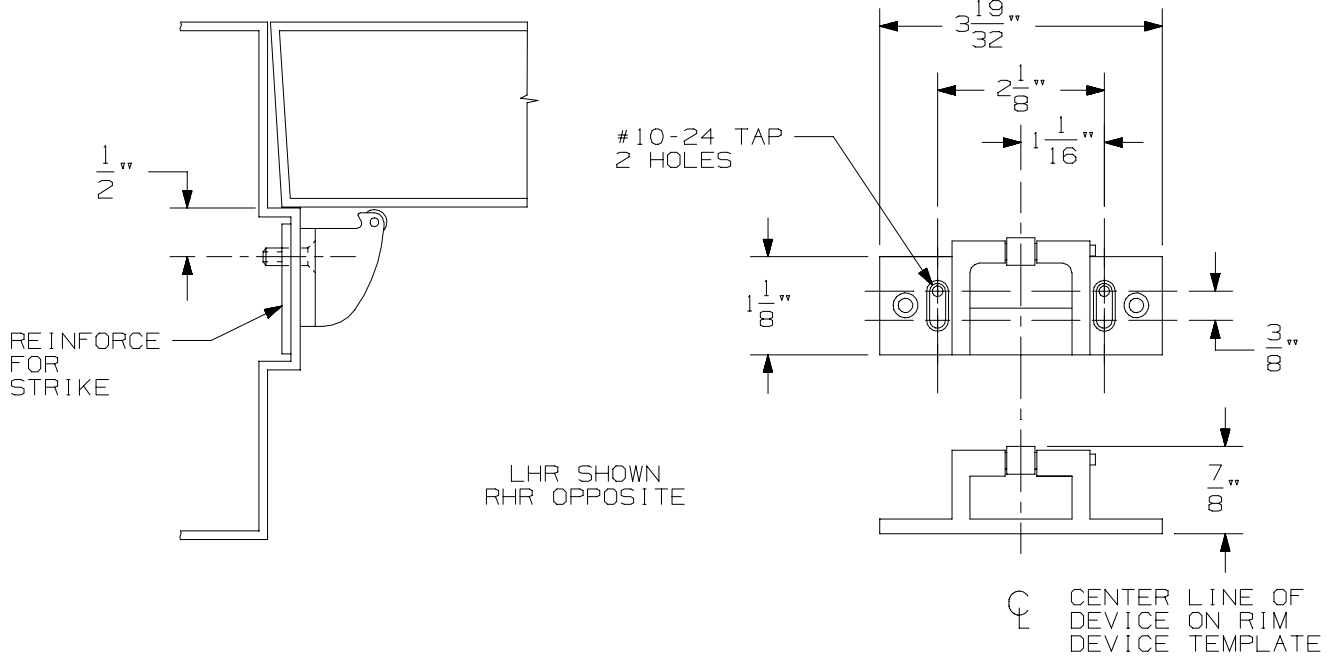
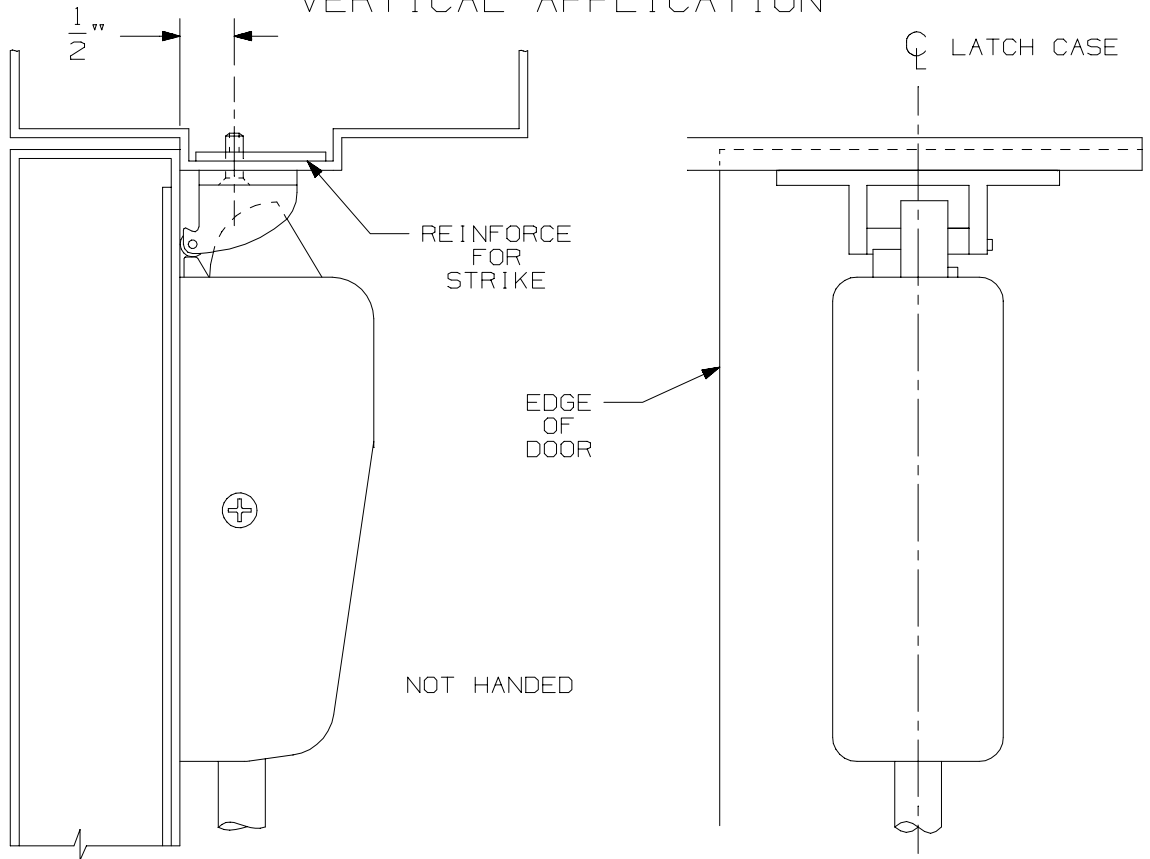


RIM APPLICATION



VERTICAL APPLICATION



NOTE: LATCH CASE MOUNTING HOLES TO BE PREPARED AT INSTALLATION ON DOOR.

499-F STRIKE



NOTE:

TEMPLATE NUMBER: 30040_0

DATE: 07-15-03