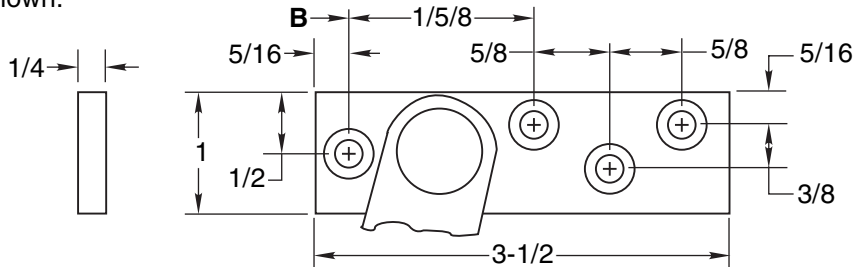


INSTALLATION INSTRUCTIONS

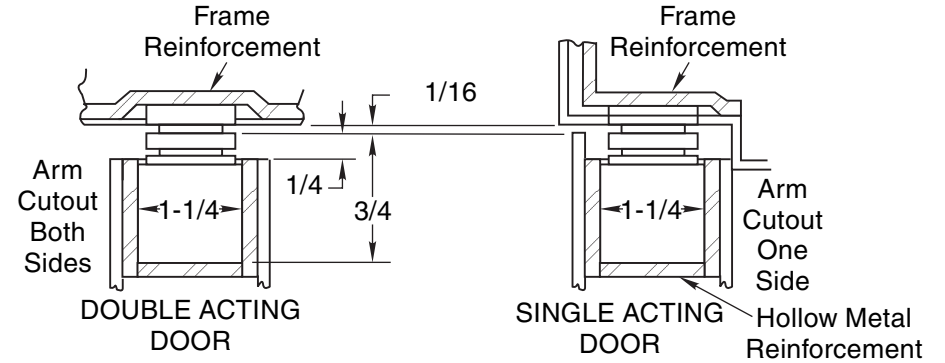
1. Determine the device number for the door opening. Then select proper dimensions from chart on OH80028B.

NOTE: A, B and C dimensions are measured from hinge center, not edge of door.

2. Locate "B" dimension on frame and mortise 1/4" deep for jamb bracket as shown.

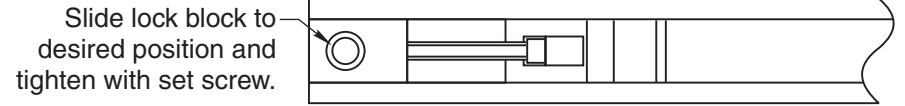


3. Locate "A" and "F" dimensions on centerline of door and mortise 3/4" deep for channel. 1/16" head clearance shown. Coordinate the arm and rail cutout dimensions if head clearance varies.



4. Locate "C" and "E" dimensions on top of door and mortise 1/4" deep as shown for arm cutout.

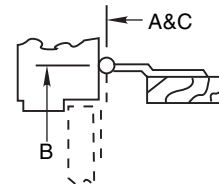
5. Install the holder with screws provided and locate the adjustable stop block by tightening its set screw. See view below.



NOTES:

- All hollow metal frames are to be provided with 3/16" min. thickness x 12" min. length reinforcement plates.
- All hollow metal doors are to be properly reinforced as shown.
- A, B and C dimensions are measured from centerline of pivot, not edge of door.
- Left hand shown, right hand opposite.

CAUTION: Note location of swing clear hinge centerline to determine "A", "B" and "C" dimensions.



Screw Details	
Jamb	Door
1/4-20 x 5/8" FHMS or #14 x 1-1/2" FHWS	5/16-18 x 3/4" FHMS or #18 x 2-1/4" FHWS

**No. 6 ADJ Series
Concealed Door Stops & Holders**

RIXSON®

ASSA ABLOY

www.rixson.com

TEMPLATE NUMBER

OH80028A

DATE

12-11

No. 6ADJ Series Concealed Door Stops

1. See OH80028A for installation instructions.
2. Select proper dimensions noted below.
3. All dimensions given in inches.

* Butt mounting only.
Reversible, non-handed

When Using Center Hung Pivots, Check Pivot Manufacturer's Compatibility Prior to Specifying

	Model Number		Device Number	Degree						Max Opening
			Stop	Door Opening	A	B	C	E	F	
1-3/4" - 2-1/4" Butts & 3/4" Offset Pivot	6ADJ-123	6ADJ-133	6ADJ-136	24 - 28*	2-5/8	4-1/8	0	16-5/8	16-1/16	110°
	6ADJ-223	6ADJ-233	6ADJ-236	28-1/16 - 33	4-3/16	5	1	19-1/8	17-5/16	110°
	6ADJ-323	6ADJ-333	6ADJ-336	33-1/16 - 38	7-7/16	6	4-1/4	20-5/8	18-13/16	110°
	6ADJ-423	6ADJ-433	6ADJ-436	38-1/16 - 43	10	7-7/16	7-1/4	22-3/8	20-15/16	110°
	6ADJ-523	6ADJ-533	6ADJ-536	43-1/16 - 48	13-5/16	8-1/2	8-1/4	26-1/4	22-7/16	110°

NOTE: A, B, and C dimensions measured from centerline of pivot, not edge of door.

	Model Number		Device Number	Degree						Max Opening
			Stop	Door Opening	A	B	C	E	F	
1-3/4" - 2-1/4" Center Hung	6ADJ-123	6ADJ-133	6ADJ-136	-	-	-	-	-	-	N/A
	6ADJ-223	6ADJ-233	6ADJ-236	30 - 36	5-5/16	5-11/16	5-1/2	15-3/8	17-5/16	105°
	6ADJ-323	6ADJ-333	6ADJ-336	36-1/16 - 41	7-15/16	6-1/2	6-1/4	19-1/8	18-13/16	110°
	6ADJ-423	6ADJ-433	6ADJ-436	41-1/16 - 46	10-7/16	7-7/8	7-3/4	22-3/8	20-15/16	110°
	6ADJ-523	6ADJ-533	6ADJ-536	46-1/16 - 50	13-3/4	8-15/16	8-3/4	26-1/8	22-7/16	110°

No. 6 ADJ Series Concealed Door Stops & Holders

RIXSON
ASSA ABLOY

www.rixson.com

TEMPLATE NUMBER

OH80028B

DATE

12-11