

7000 SERIES MULTI-POINT LOCK

(NB)7006 (NB)7010
 (NB)7013 (NB)7015
 (NB)7040 (NB)7043
 (NB)7046 (NB)7073
 (NB)7074 (NB)7078

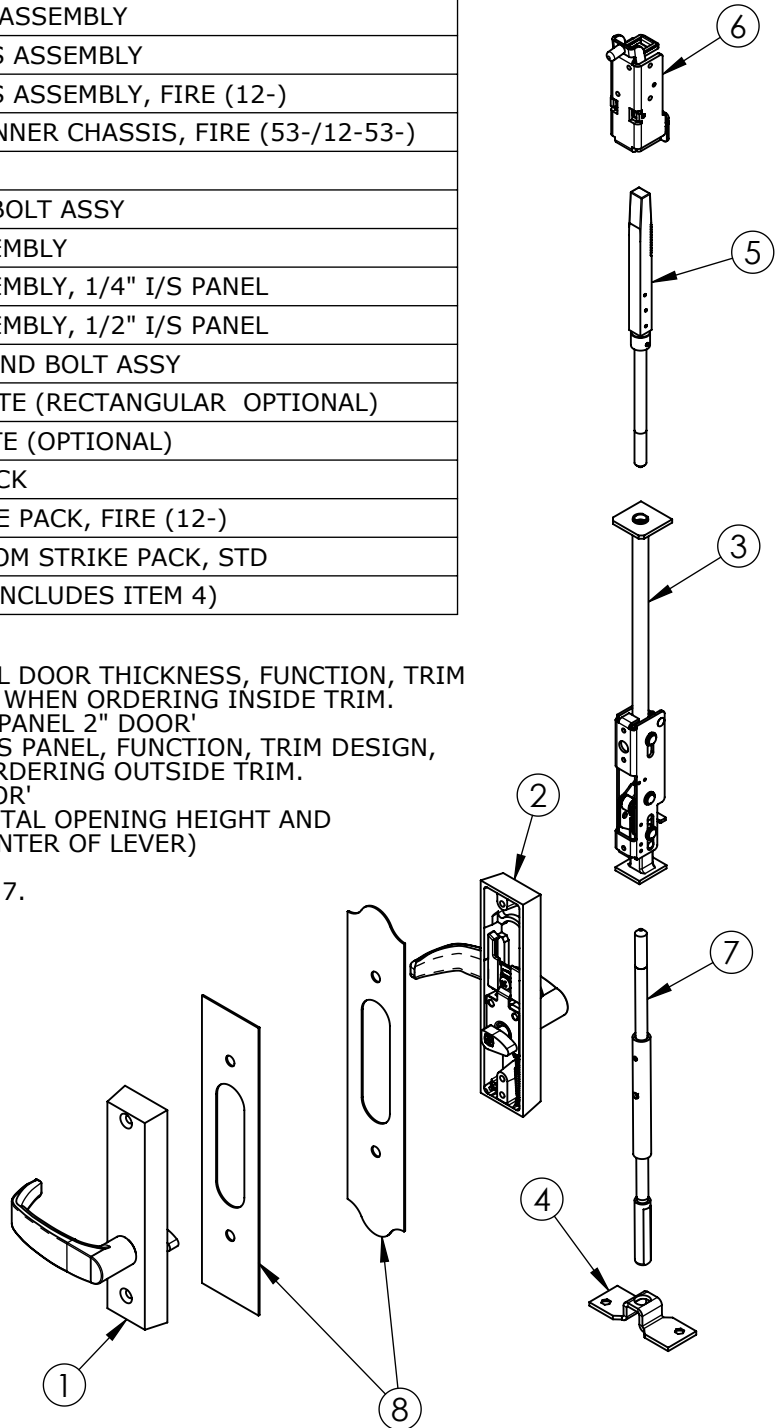
PARTS LIST

PAGE No. REV.
 70-1 B

ITEM NO.	QTY	PART NUMBER	DESCRIPTION
1	1	MP-715	INSIDE TRIM ASSEMBLY
2	1	700-2	OUTSIDE TRIM ASSEMBLY
3	1	94-2411	INNER CHASSIS ASSEMBLY
		94-2412	INNER CHASSIS ASSEMBLY, FIRE (12-)
		94-2414	MONITORING INNER CHASSIS, FIRE (53-/12-53-)
4	1	68-0888	BOTTOM CASE
5	1	68-7062	TOP ROD AND BOLT ASSY
6	1	68-5374	TOP CASE ASSEMBLY
		68-5375	TOP CASE ASSEMBLY, 1/4" I/S PANEL
		68-5376	TOP CASE ASSEMBLY, 1/2" I/S PANEL
7	1	96-2085	BOTTOM ROD AND BOLT ASSY
8	2	97-0631	STANDARD PLATE (RECTANGULAR OPTIONAL)
		97-0632	SCULPTED PLATE (OPTIONAL)
1	1	650	TOP STRIKE PACK
1	1	606	BOTTOM STRIKE PACK, FIRE (12-)
1	1	652	TOP AND BOTTOM STRIKE PACK, STD
1	1	94-2415	SCREW PACK (INCLUDES ITEM 4)

NOTES:

- SPECIFY INSIDE PANEL SIZE, TOTAL DOOR THICKNESS, FUNCTION, TRIM DESIGN, LEVER, AND FINISH WHEN ORDERING INSIDE TRIM.
'31-MP-715 ETL LH 26D 1/4" PANEL 2" DOOR'
- SPECIFY DOOR THICKNESS LESS I/S PANEL, FUNCTION, TRIM DESIGN, LEVER, AND FINISH WHEN ORDERING OUTSIDE TRIM.
'713-2 ETP LH 26D 1 3/4" DOOR'
- FOR ROD ASSEMBLIES, SPECIFY TOTAL OPENING HEIGHT AND AFF (FINISHED FLOOR TO CENTER OF LEVER)
'68-7062 84" X 36.75" AFF'
- FOR NB PREFIX OMIT ITEMS 4 AND 7.



SARGENT
ASSA ABLOY

ASSA ABLOY, the global leader
 in door opening solutions