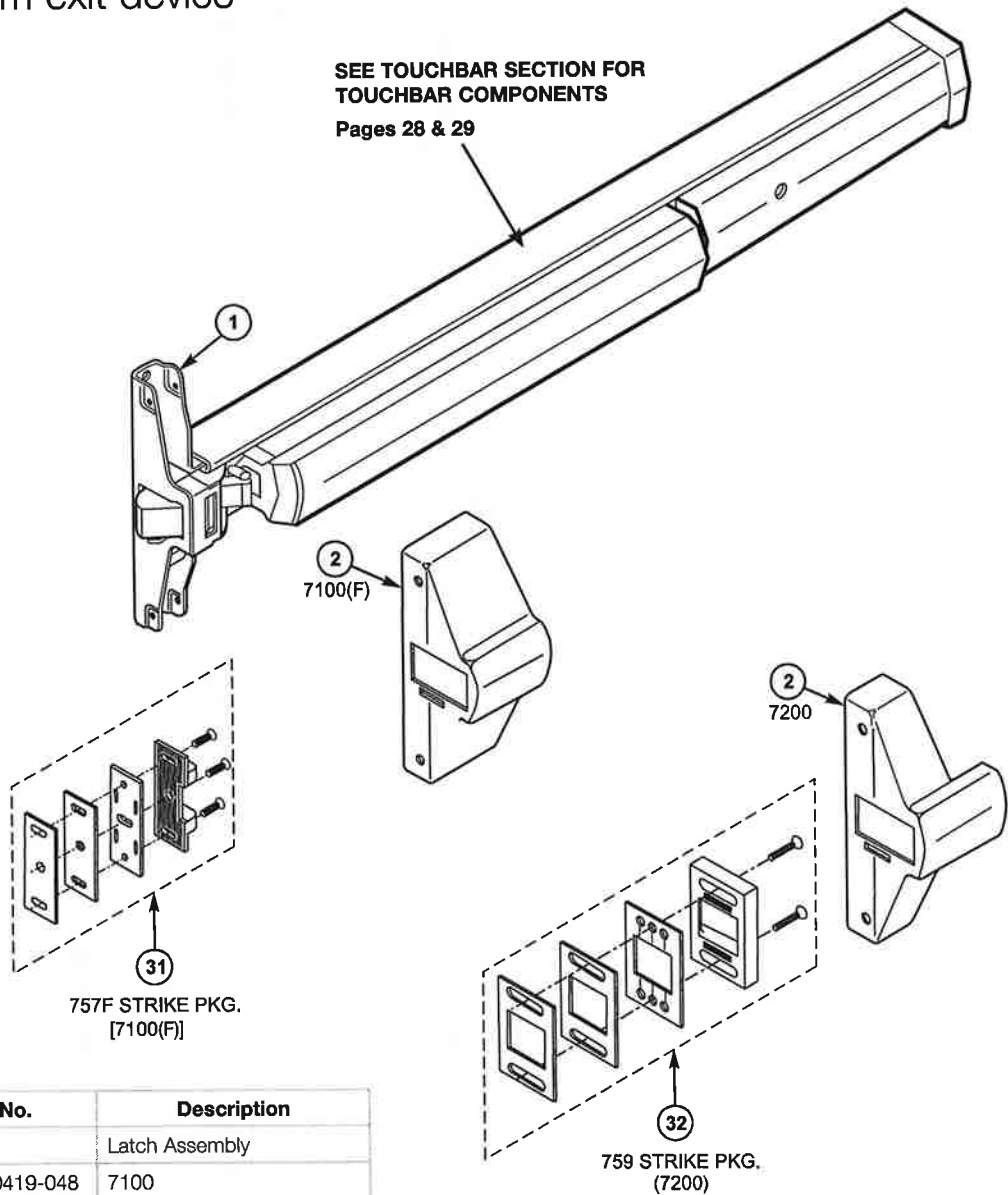




7100(F)/7200 rim exit device



Item	Part No.	Description
1		Latch Assembly
	60-7000-0419-048	7100
	60-7000-0425-048	7100F
	60-7200-0354-048	7200
2		Cover
	60-7100-X026-FIN	7100
	Not Available	7100F
	60-7000-X111-FIN	7200
31	81-9800-0001-999	757F Strike Packet 7100(F)
32	81-9500-1357-200	759 Strike Packet 7200

Difference in Latch Assemblies

