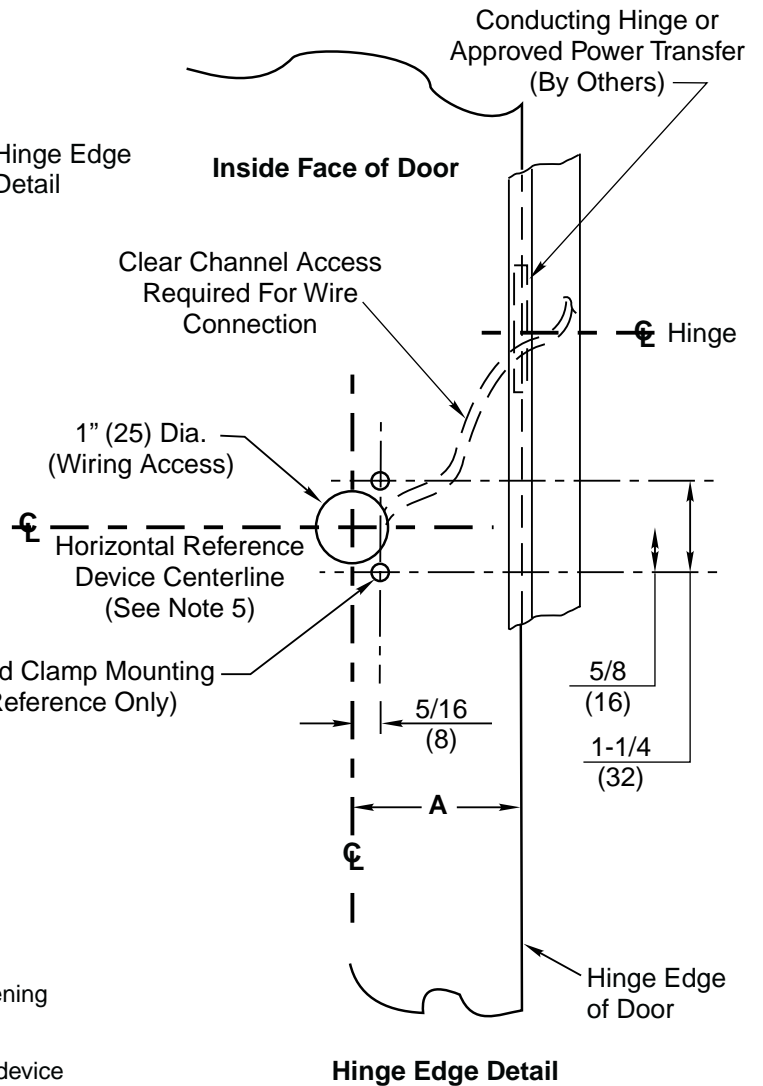
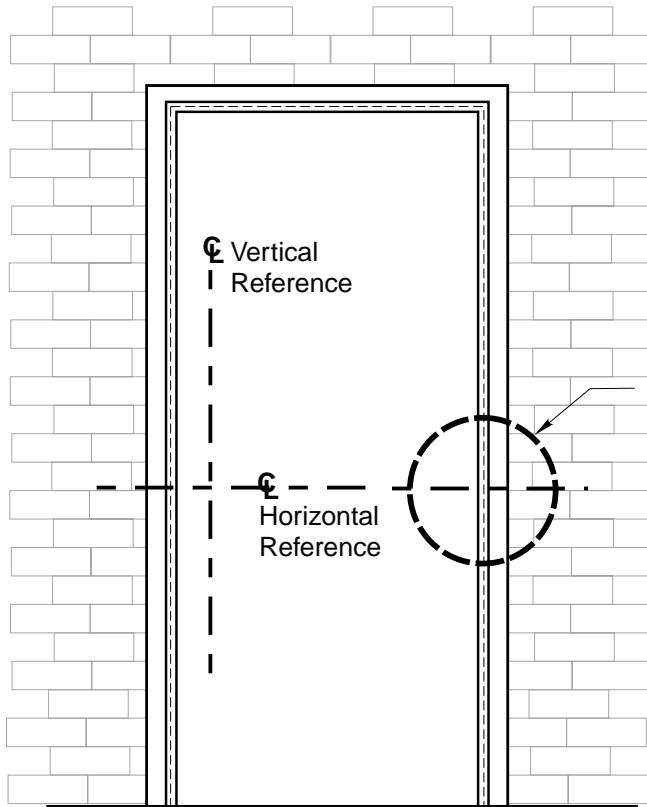


Exit Device	Dim. A
7200 Series	1-11/16 (43)
7100 & 7200M Series	2-5/16 (59)



Notes:

1. Do not scale drawing.
2. Dimensions are in inches (mm).
3. LHR H.M. opening shown. Details are typical for all opening materials (both hands).
4. This preparation is an addition to preparation shown on device template.
5. See device template to locate centerline of device template.
6. Shields for wiring access recommended for insulated and composite doors.
7. Locate and prepare wiring access holes when installing device.

7100 and 7200 Series Electric Exit Devices
 with Suffixes "D", "G", "-P", "-B", "-O", "-S", "-Safe", and "-Secure"
 Preparation of Wiring Access
 for Metal or Wood Door and Frames

Yale
 Yale Commercial Locks and Hardware
 www.yalecommercial.com
 TEMPLATE NUMBER **7477-0001** DATE **06-04**