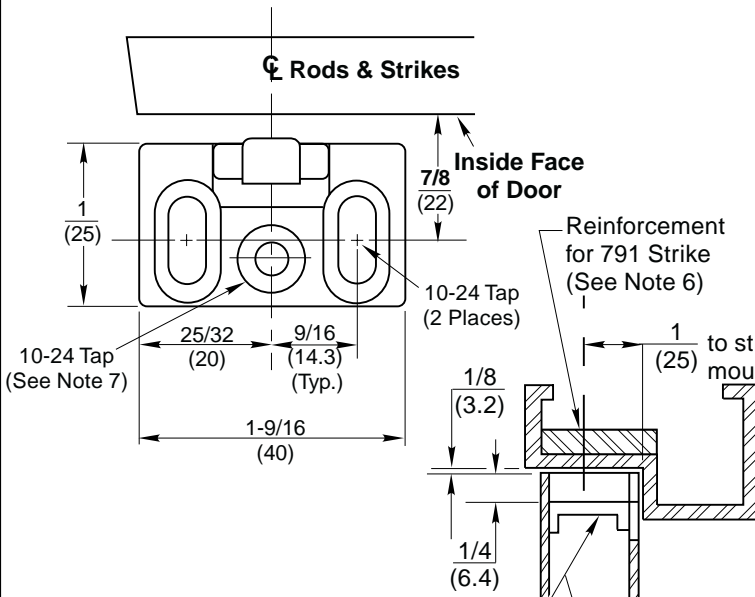
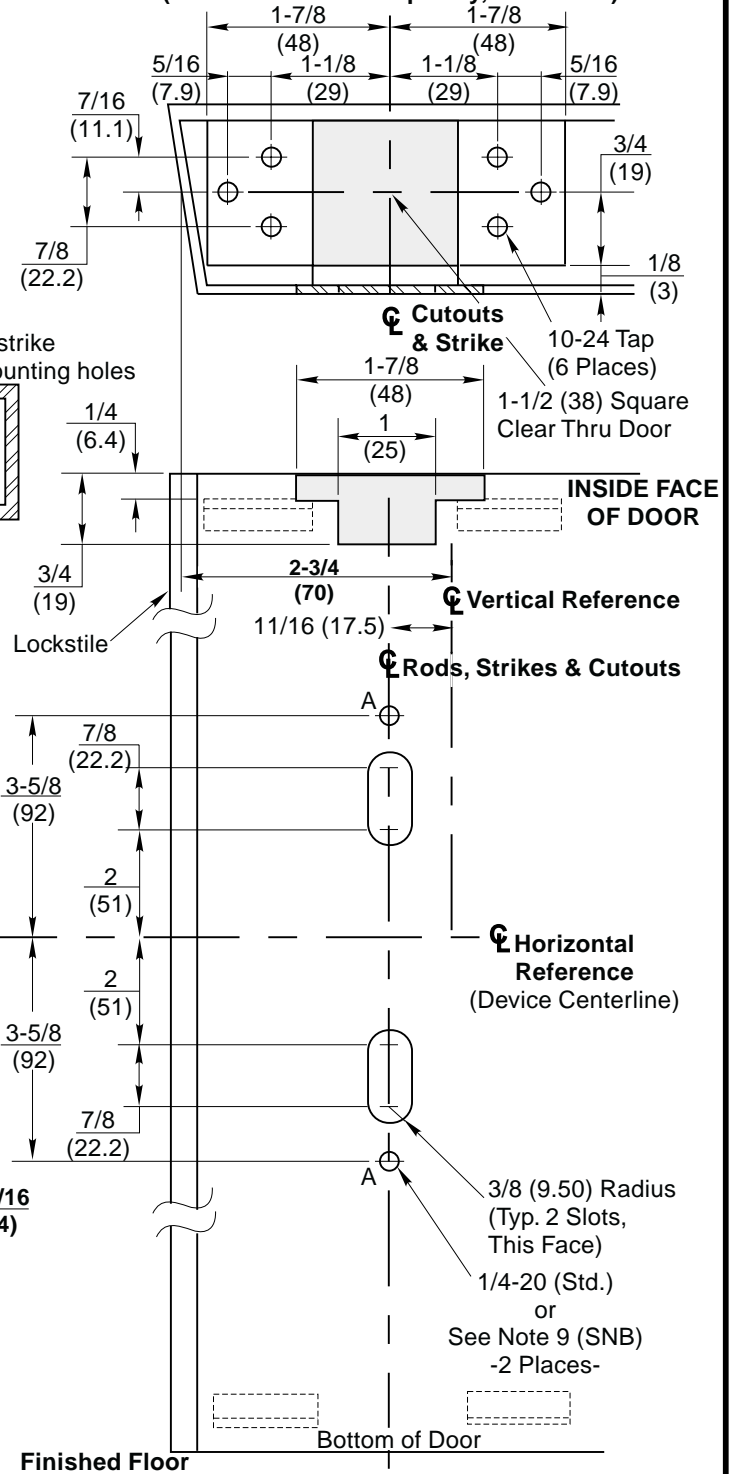


791 STRIKE DETAIL



Typical Top & Bottom Door Detail (Door Face Cutout Top Only, As Shown)



Notes:

1. Do not scale drawing.
2. Dimensions are in inches (mm).
3. LHR door shown. Preparation is typical for both door hands.
4. Minimum door stile width: 4-1/2 (114).
5. Prepare mounting holes when installing the device.
6. Unreinforced frames require using blind rivet nuts (by others) to mount the strike.
7. This hole **MUST** be field located using physical part as template, after installation is complete and device is fully operational.
8. For recommended door reinforcements see template 7400-0000. Unreinforced doors require SNB option to mount the device components.
9. Holes for optional SNB: 9/32 (7.00) dia., inside door face; 3/8 (9.50) dia., outside door face.
10. Provide door stiffeners, as needed to prevent door collapse due to installation with power tools, door use, or abuse.
11. Device mount to hinge stile (not shown) requires hole location and preparation during device installation.
12. For outside trim preparation see appropriate trim template.
13. For electrical devices (suffixes "-B", "-G", "-O", "-P", "-S") also see template 7477-0001.
14. 5/8 (16.00) diameter x 3/4 (19) deep hole in floor, required.
15. Bottom bolt should retract to 1/8 (3.2) above floor strike. Floor coverings in the door path must be laid accordingly.
16. Maximum thickness 5/32 (4.0) when outside escutcheon trim is used.
17. Maximum Opening Height: 8' (2.44m).

790 Floor Strike & Bolt
(See Notes 14 & 15)

7120, 7125 & 7120F
Concealed Vertical Rod Exit Devices
Standard Application for Metal Door and Frame

Yale

Yale Commercial Locks and Hardware

www.yalecommercial.com

TEMPLATE NUMBER

7470-0020

DATE

2-00