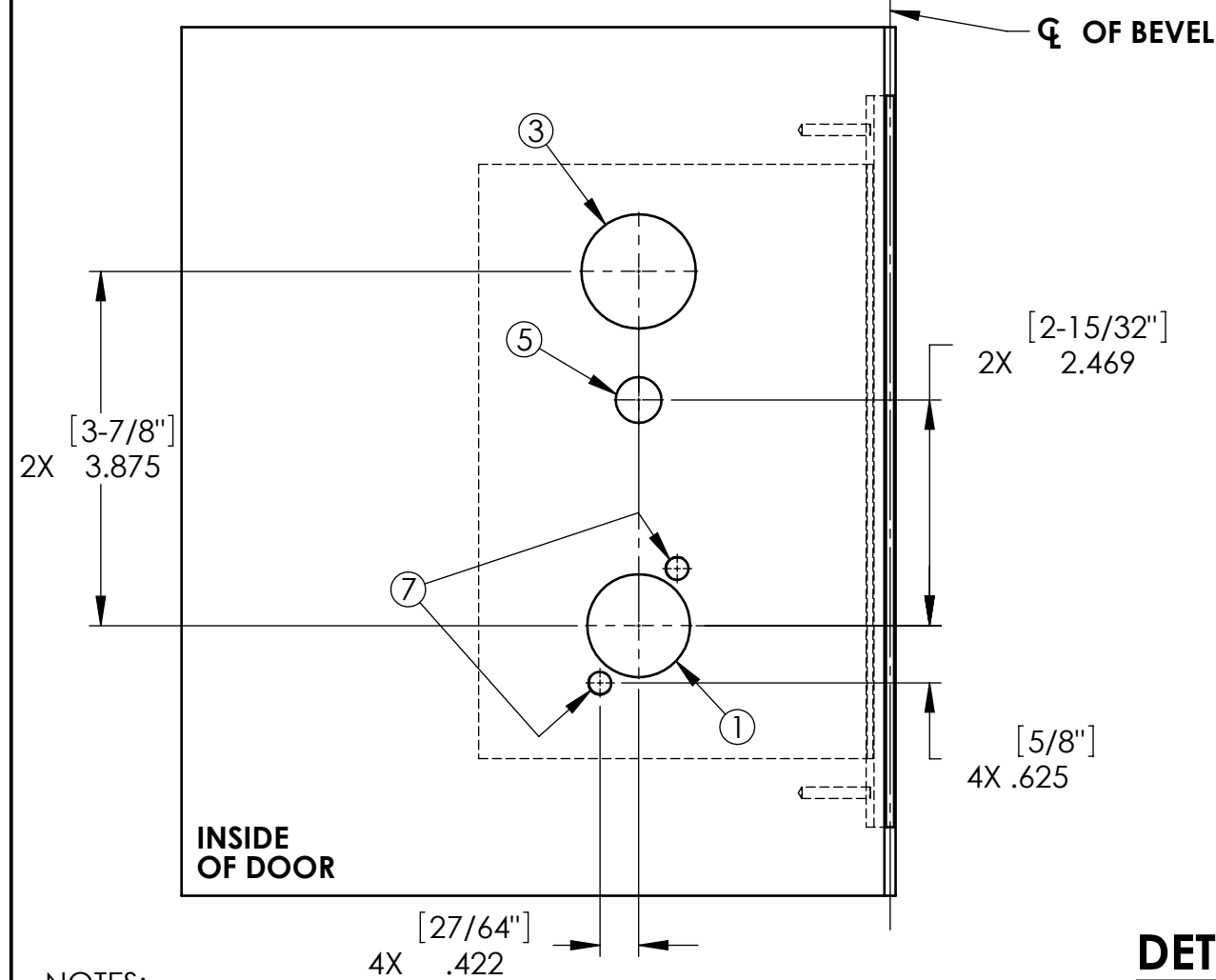


REQUIRED HOLES		1	2	3	4	5	6	7	8
FUNCTION		1.125" [1-1/8"] DIA.	1.125" [1-1/8"] DIA.	1.250" [1-1/4"] DIA.	1.250" [1-1/4"] DIA.	.500" [1/2"] DIA.	.500" [1/2"] DIA.	.250" [1/4"] DIA.	.250" [1/4"] DIA.
03, 21					■	■			
04, 27, 30, 37, 55, 70, 71, 89		■	■		■			■	■
06, 91		■			■			■	
05*, 24, 25, 28, 43, 45, 47, 50, 51, 56, 67, 281		■	■		■	■		■	■
13, 95		■						■	
15, 96, 97		■	■					■	■
16, 17, 26, 29, 38, 39, 40, 41, 46, 48, 49, 52, 59, 72, 73, 90		■	■	■	■			■	■
20					■				
22				■	■				
23				■	■	■			
31, 35, 36			■		■				■
65, 66, 68		■	■			■	■	■	■
92		■		■	■			▲	

* ALL 05 LOCKS MANUFACTURED PRIOR TO 7/6/04 USE 55 FUNCTION DOOR PREP.

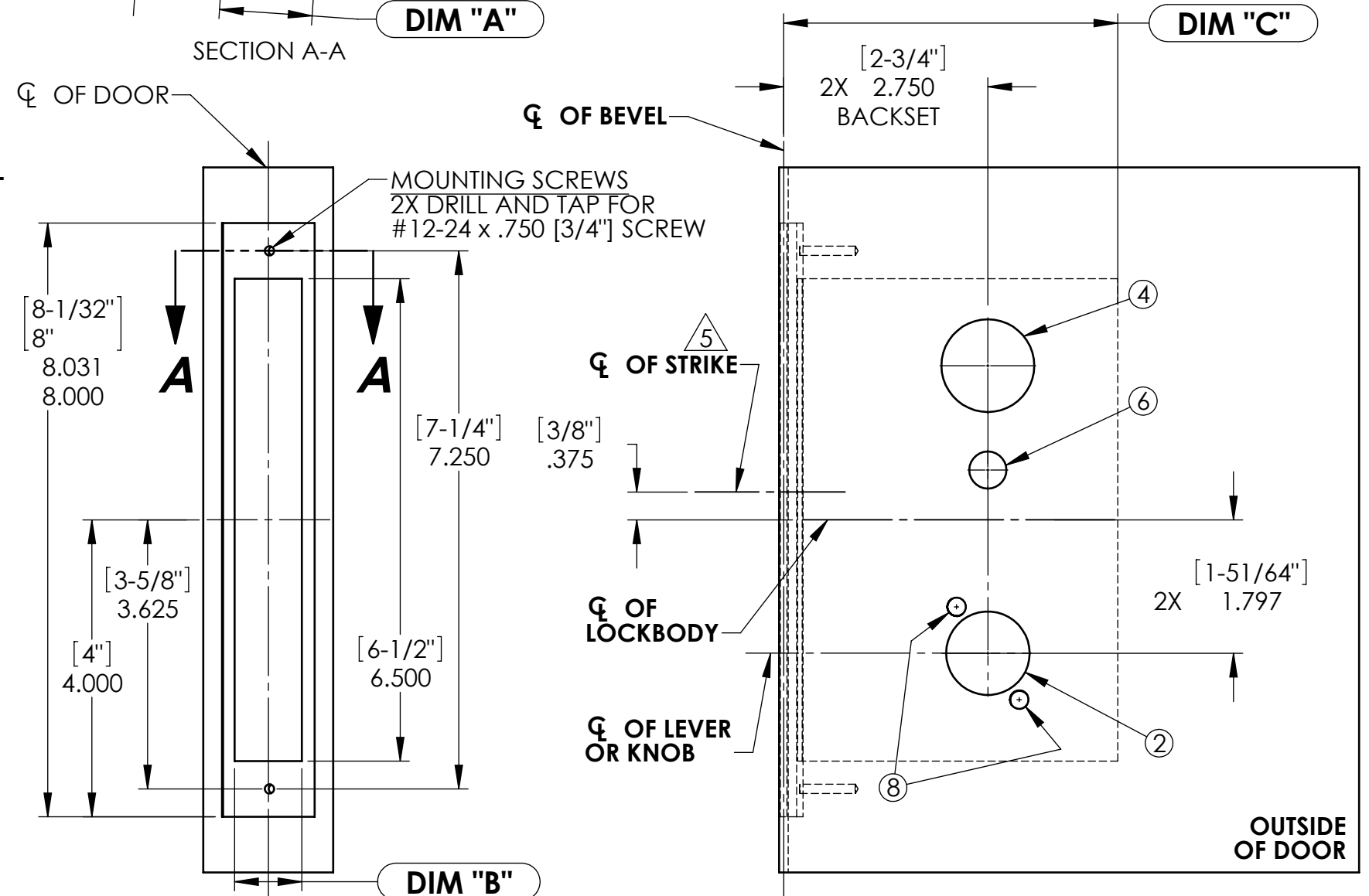
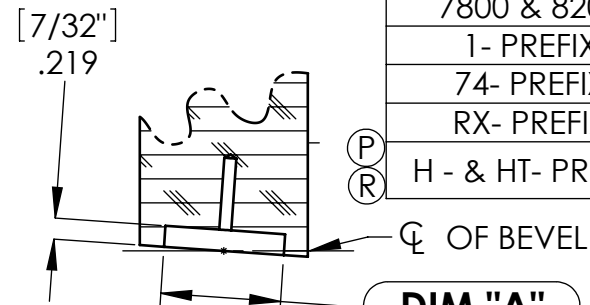


NOTES:

1. ■ DENOTES HOLE REQUIRED FOR FUNCTION LISTED. (CHECK TABLE BEFORE CUTTING HOLE.)
2. ▲ DENOTES HOLE #7 NOT REQUIRED FOR 7892 LOCKSET.
3. REFER TO TRIM TEMPLATE FOR ADDITIONAL HOLE REQUIREMENTS.
4. SUITABLE REINFORCEMENTS REQUIRED FOR METAL DOORS.
5. FOR DETAILS, SEE STRIKE TEMPLATE 7063.
6. FOR ADDITIONAL DETAIL FOR SOLENOID OPERATED FUNCTIONS (70, 71, 72, & 73), SEE TEMPLATE 7065.

THIS TEMPLATE COVERS THE 7800 & 8200 SERIES LOCKSET IN ACCORDANCE WITH THE SPECIFICATIONS INDICATED BELOW:

LOCK LINES & VARIATIONS	VARIABLE DIMENSIONS		
	DIM "A"	DIM "B"	DIM "C"
7800 & 8200	1.250 ± .015 [1-1/4"]	.906 [29/32"]	4.125 [4-1/8"]
1- PREFIX	1.062 ± .015 [1-1/16"]	.906 [29/32"]	4.125 [4-1/8"]
74- PREFIX	1.250 ± .015 [1-1/4"]	1.125 [1-1/8"]	4.250 [4-1/4"]
RX- PREFIX	1.250 ± .015 [1-1/4"]	1.250 [1-1/4"]	4.375 [4-3/8"]
H - & HT- PREFIX	1.250 ± .015 (1-1/4")	1.125 +0/- .062 [1-1/8"]	4.375 (4-3/8")



SARGENT
ASSA ABLOY

SARGENT Manufacturing Company
100 Sargent Drive New Haven, CT 06511

TEMPLATE: MORTISE LOCK
FOR 7800 AND 8200 SERIES
(LOCKBODIES ONLY)

RELEASE DATE
23-MAY-11

TEMPLATE NO.
7057 R