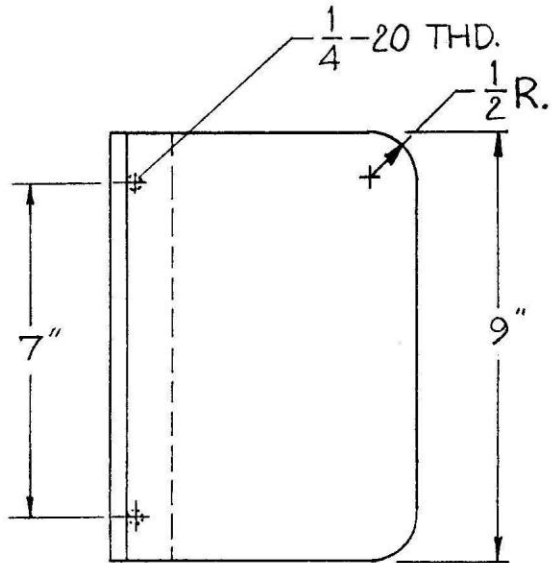
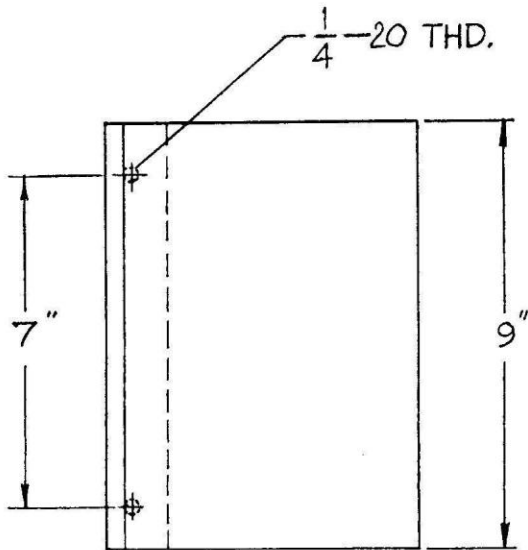
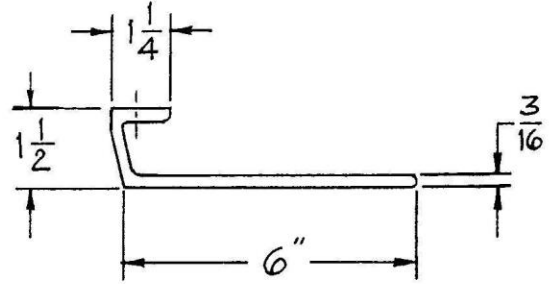
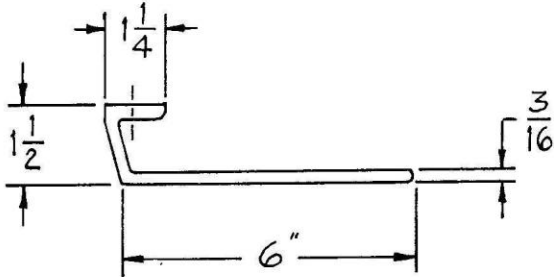


NOTES:

1. SEE MOUNTING METHODS.

REVISIONS

LTR	DESCRIPTION	DATE	CHECKED
-	NEW DWG.	6-23-95	<i>[Signature]</i>



9550

9551

Book No. _____ Date Requested: _____

This template is provided for use only on the job for which it was requested.

Trimco/BBW reserves the right to make design changes without notice.



Triangle Brass Manufacturing Company, Inc.
3528 Emery Street, P.O. Box 23277
Los Angeles, CA 90023, USA

TITLE

PUSH/PULL

PART NO 9550, 9551

DRAWN BY T.A. 6-23-95

A DWG. NO. 11487