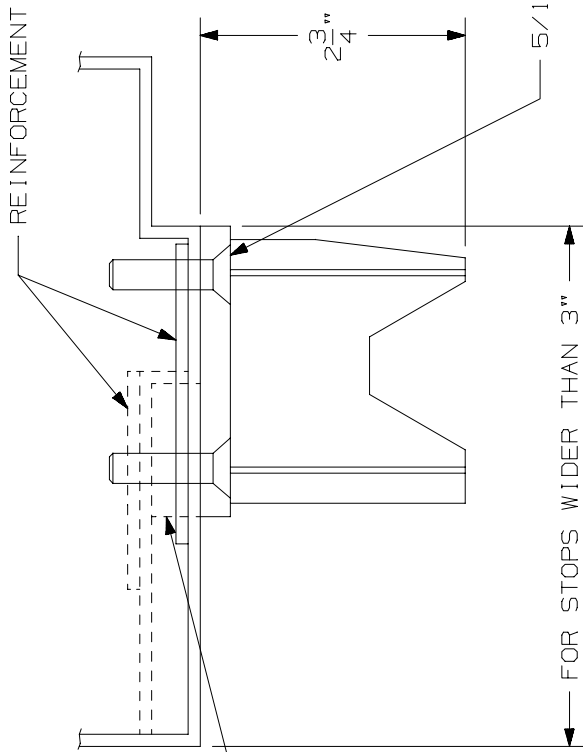
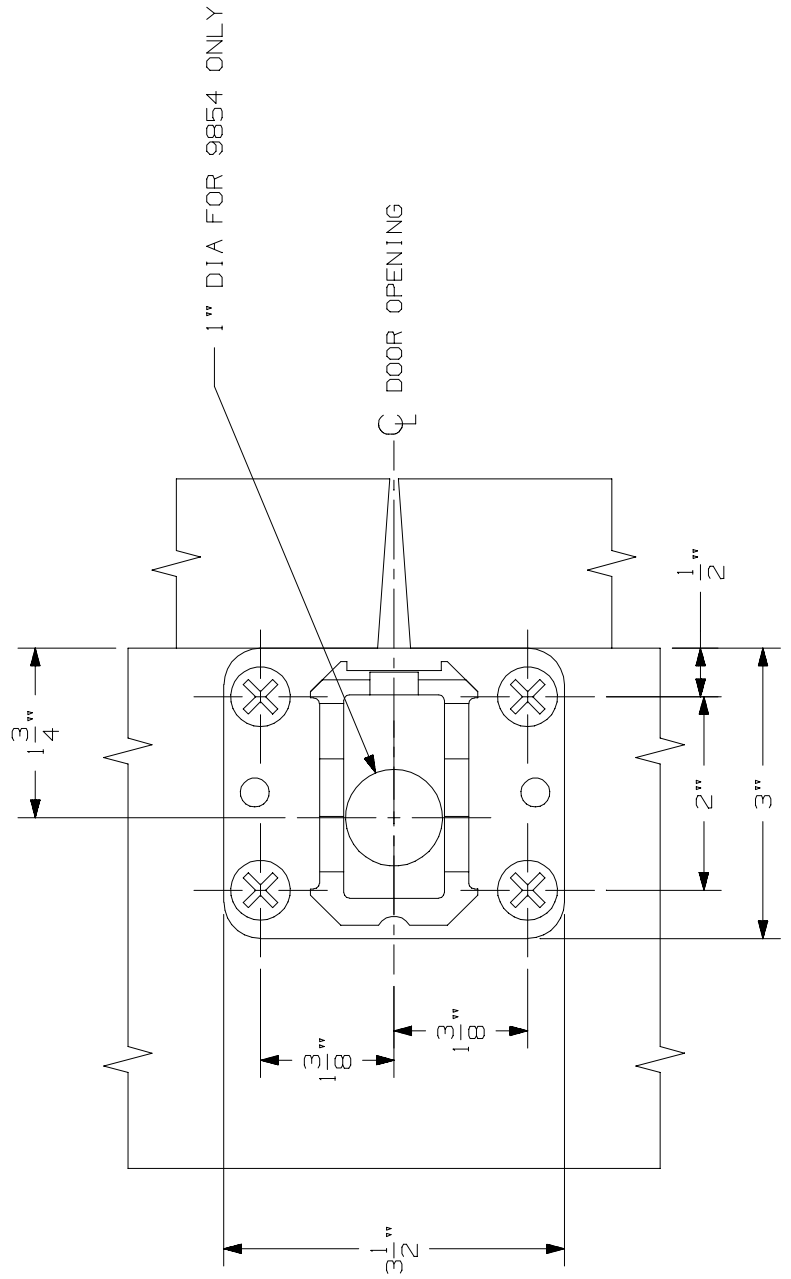


NOTE: SHEET METAL FRAME REINFORCEMENT IS TO BE SUPPLIED BY FRAME MFR.



IF STOP IS LESS THAN 3" WIDE, A FILLER BLOCK MUST BE PROVIDED BY OTHERS.



9854, 9954 & HH54 MULLION ^⑤



NOTES: SEE MASTER SHEET NO. 10001 FOR SUGGESTED REINFORCING.

TEMPLATE NUMBER:

40036_5

DATE: 07-27-01