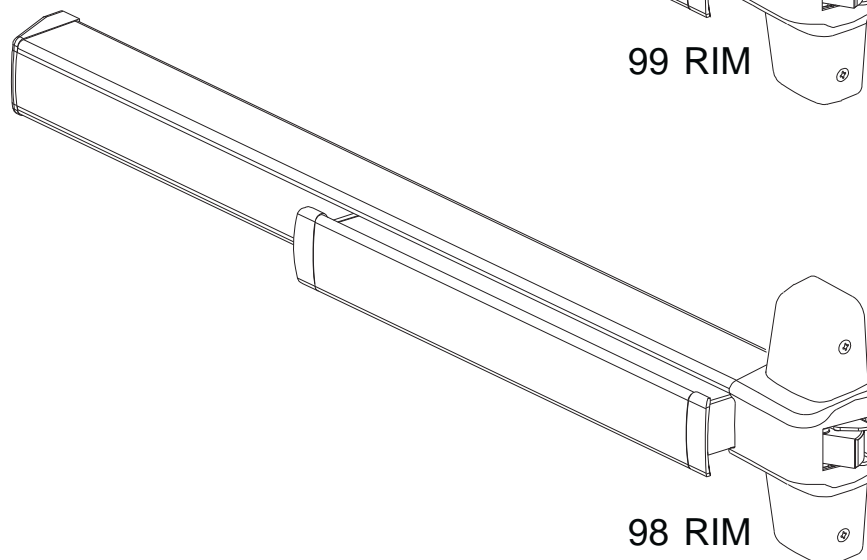
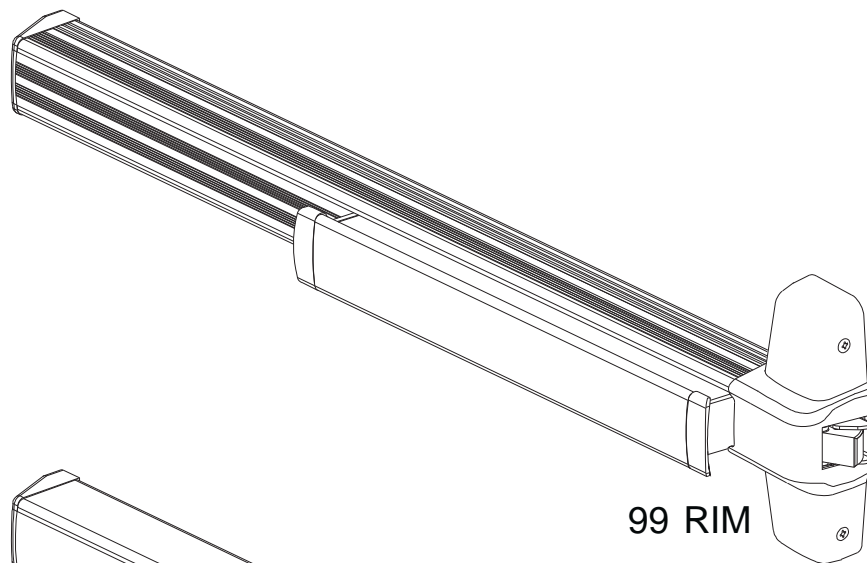


VON DUPRIN®

PARTS MANUAL

February 2013

98/99 SERIES RIM EXIT DEVICES



INDEX

98/99 Rim Devices	
Basic Panic Device	4-5
Basic Fire Device	6-7
Baseplate Assemblies	8
Center Case Assembly	9
Variations of the Basic Device	
CD (Cylinder Dogging)	4-5
98/99-2 (Double Cylinder)	10
E98/99 (Electric Locking)	11
HD-EL (Hex Dogging/Electric Latch Retraction)	12
EL (Electric Latch Retraction)	13
SS (Signal Switch)	13
RX (Request to Exit)	14-15
LX (Latch Bolt Monitoring)	14-15
CX (Chexit)	16
CX-CD/SD (Chexit/Special Dogging)	17
ALK (Exit Alarm Kit)	18
Service Replacement Items	19-20
General Information	
Introduction	2
How to Order	2
Part Number Changes	2
Finishes	3
Outside Trim Functions	3
Strikes	3

INTRODUCTION

This manual contains a listing of replaceable parts and assemblies for the 98/99 Rim Exit Hardware Devices. 98 Series and 99 Series devices are almost identical. The 99 Series has a grooved case; the 98 Series has a smooth case.

HOW TO ORDER

Some parts are sold separately. Other items are available as part of a kit or multiple quantity package. For the best possible service when ordering replacement parts or assemblies, please provide the following information:

- Part number or assembly number
- Description
- Quantity needed
- Finish desired (if available finished)
- Date of original purchase (if known)

To find out the name of your local Von Duprin distributor or sales representative, contact:

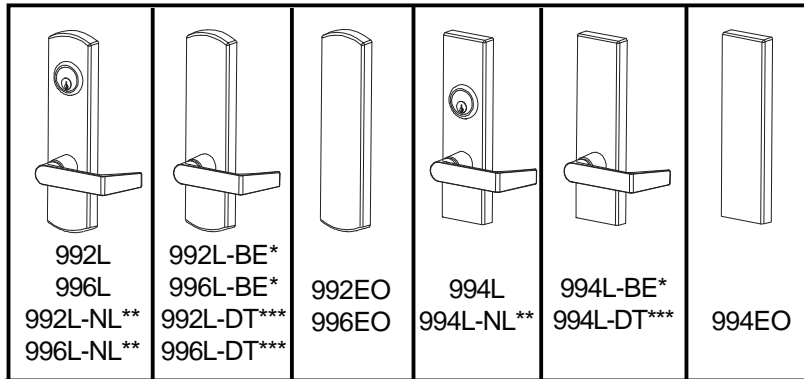
Von Duprin Division
Ingersoll Rand Company
2720 Tobey Drive
Indianapolis, IN 46219
Phone: 877-671-7011
Fax: 800-999-0328

PART NUMBER CHANGES

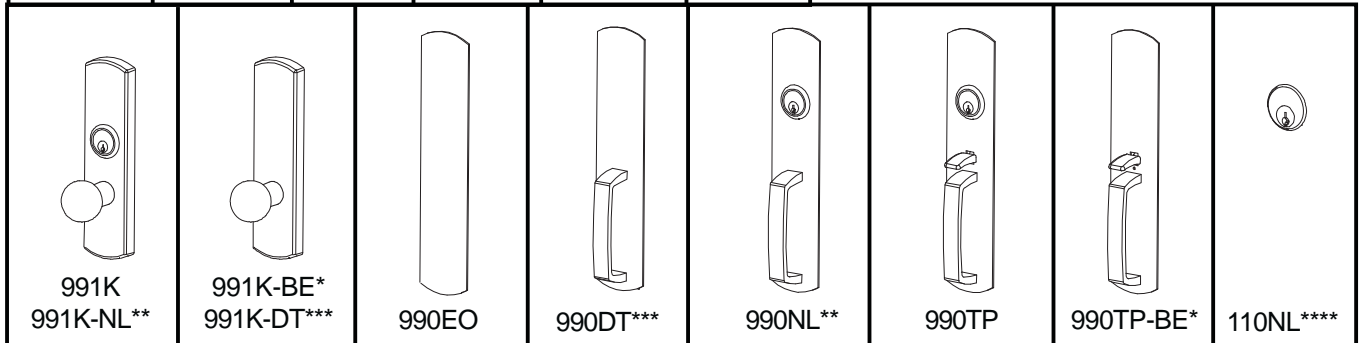
This manual reflects the product as sold in February 2013. Because of changes to the product and/or manufacturing process, part numbers can change.

98/99 SERIES FINISHES

OUTSIDE TRIM FUNCTIONS



U.S. Std Reference	BHMA Reference	Description
US3	605	Polished Brass
US4	606	Dull Brass
US10	612	Dull Bronze
US15	619	Satin Nickel
US26	625	Polished Chrome
US26D	626	Dull Chrome
US28	628	Anodized Alum. (Clear)
US32D	630	Satin Stainless Steel
313AN	710	Anodized Alum. (313) Dark Bronze
315AN	711	Anodized Alum. (Black)



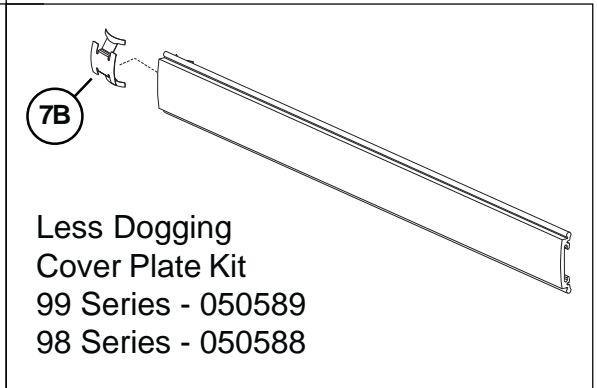
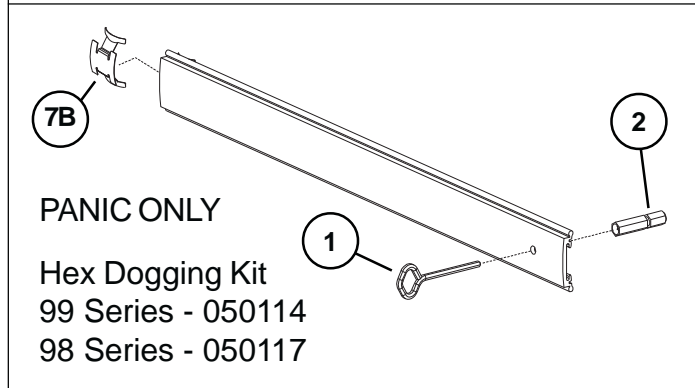
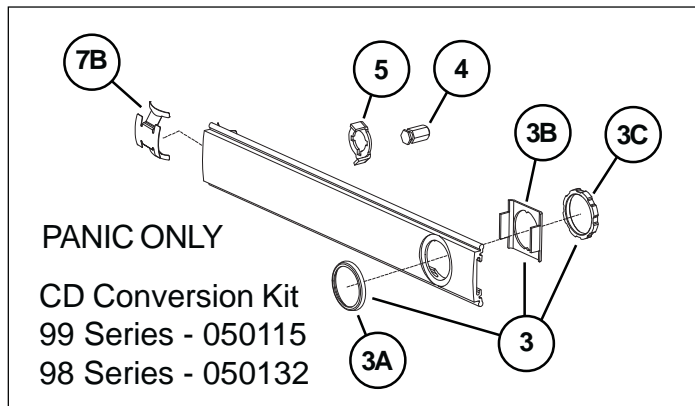
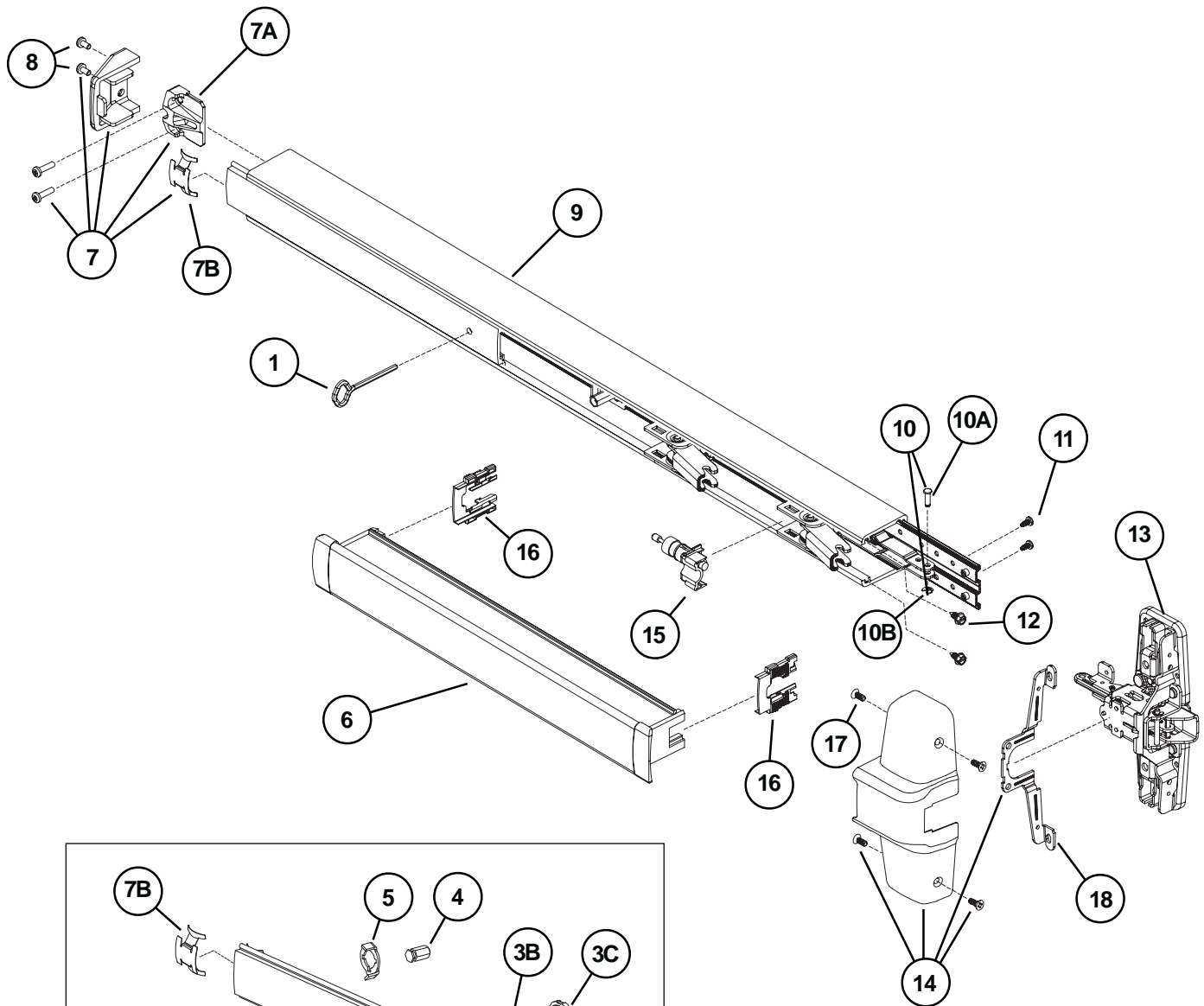
- * "BE" (Blank Escutcheon) no cylinder used - lever always active
- ** "NL" (Night Latch) rigid lever - key retracts latch bolt
- *** "DT" (Dummy Trim) rigid lever for pull operation
- **** Optional Pull needs to be added

- ① Metal Door Screw Package PKGSRV.1023 (Pkg of 10)
- ① Wood Door Screw 964291 (Qty of 1)

STRIKES

<p>Adjusting Shim 970321</p> <p>Strike Plate 970323</p> <p>299 Strike - Standard Single or Double Door Panic Exit Hardware</p>	<p>Adjusting Shim 945521</p> <p>299F Strike - Single Door Fire Exit Hardware</p>	<p>Adjusting Shim 945521</p> <p>264 Strike - Single Door Panic Exit Hardware</p>	<p>Adjusting Shim 945521</p> <p>Strike Hook 969300</p> <p>499F Strike - Double Door w/Mullion Fire Exit Hardware</p>	<p>1609 Strike - Double Door Rim/Vertical Rod Combination (Consult Factory)</p>
<p>Wear plate 960012</p> <p>Rivets 963074</p> <p>Screw Pkg 900254</p> <p>1410 Strike - Single Door Integral Stop Panic Exit Hardware</p>	<p>Adjusting Shim 961084</p> <p>Screw Pkg 900263</p> <p>1606 Strike - Single or Double Door Panic Exit Hardware</p>	<p>Adjusting block 971995</p> <p>Wear plate 971998</p> <p>Drive nuts 4299101022</p> <p>1439 Strike - Single door Panic Exit Hardware</p>	<p>Screw Pkg 900253</p> <p>1408 Strike - Double Door Used on 5754 Mullions Panic Exit Hardware</p>	

98/99 RIM PANIC DEVICE



98/99 RIM PANIC DEVICE

Item No.	Quantity	Part No.	Description	Finish
	1	900561	98/99 Series Mounting Pkg. (1-3/4 & 2-1/4)	
1	1	090085	227 Dog Key 5/32" Hex (Pkg of 10)	
1	1	090005	227 Dog Key 5/32" Hex (Pkg of 2)	
2	1	090040	Hex Dog Shaft (Pkg of 2)	
3	1	107813	Cylinder Mounting Pkg	X
3A	1	050525	Cylinder Collar	X
3B	1	050490	Cylinder Locating Washer - CD/SS	
3C	1	050526	Cylinder Locknut	
4	1	090046	CD Dogging Plug (Pkg of 2)	
5	1	090045	CD Actuator Arm (Pkg of 2)	
6	1	*PBKIT	98/99 Series Push Bar Retrofit Kit - 3' Door	X
6	1	*PBKIT	98/99 Series Push Bar Retrofit Kit - 4' Door	X
7	1	050014	98/99 Series End Cap Kit	X
7A	1	050524	Impact Resistant End Cap Bracket	
7B	1	090036	Cover Plate Anti-rattle Spring (Pkg of 10)	
8	1	900597	Device End Cap and C/Case Screw Pkg.	X
9	1	968144	99 Series Mechanism Case - 3' Door	X
9	1	968146	99 Series Mechanism Case - 4' Door	X
9	1	970191	98 Series Mechanism Case - 3' Door	X
9	1	970192	98 Series Mechanism Case - 4' Door	X
10	1	050529	98/99 Series Control Link Pin & Ret. Ring	
10A	1	090031	98/99 Series Control Link Pin (Pkg of 10)	
10B	1	090107	Retaining Ring (Pkg of 10)	
11	2	090037	#8-32 x 3/8" Baseplate Screw (Pkg of 10)	
12	2	090073	Mechanism Case Bracket Screw (Pkg of 10)	
13***	1	050020	98/99 Rim Center Case Less Cover	
14**	1	050071	98/99 Rim Center Case Cover Kit	X
15	1	050491	Shock Absorber & Holder Assembly	
16	2	090049	Push Bar Guide (Pkg of 10)	
17	4	900892	Center Case Cover Screws (Pkg of 4)	X
18	1	050564	Center Case Cover Bracket	

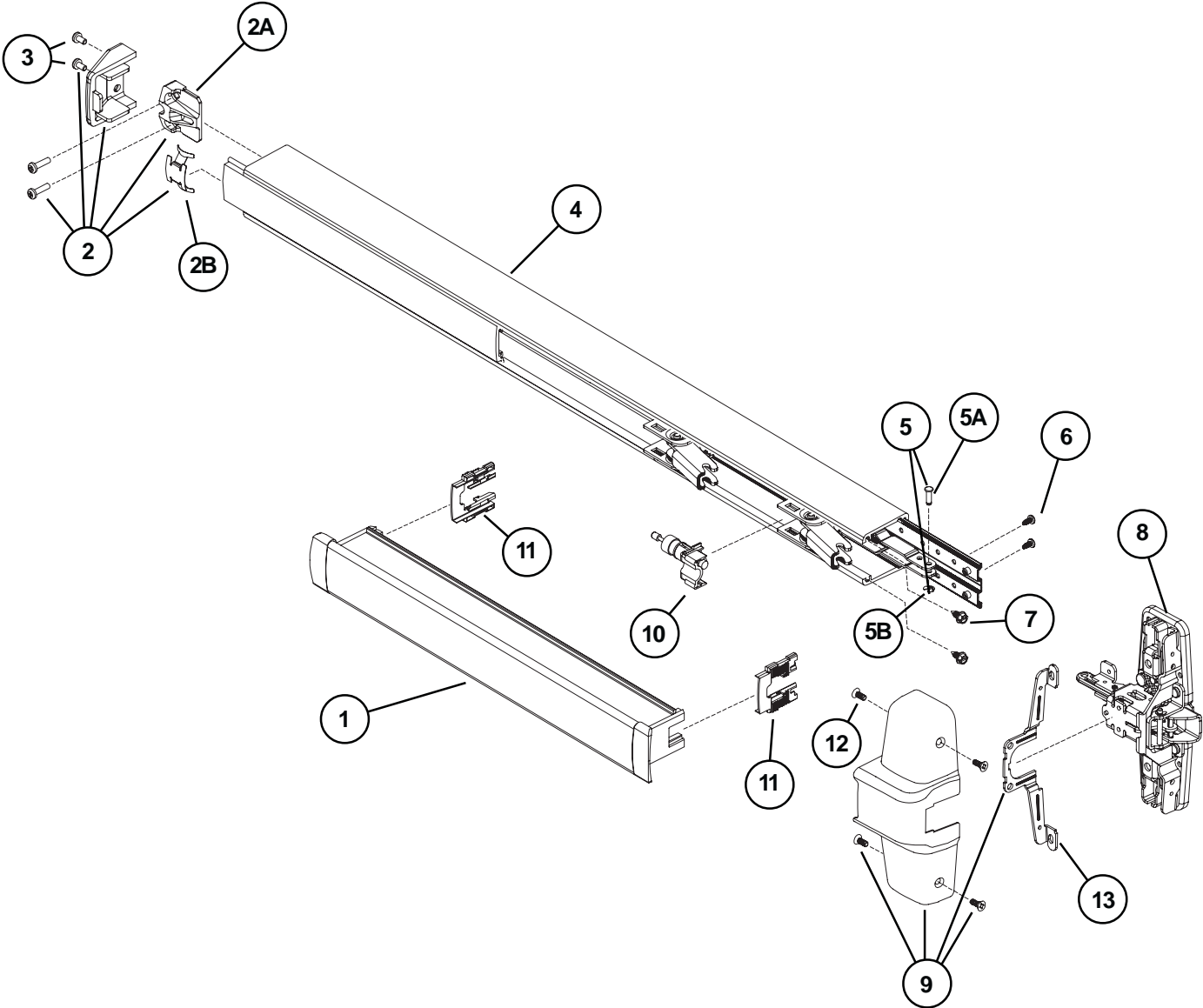
X in "Finish" column designates finished items; finish must be specified when ordering.

* To order, specify device type, size, and finish. Example: PBKIT 98 3' US28

**Includes parts for three piece cover conversion

***Center case assembly parts shown on page 9.

98/99-F FIRE DEVICE



2B

Fire Cover Plate Kit
 99 Series - 050589
 98 Series - 050588

98/99-F FIRE DEVICE

Item No.	Quantity	Part No.	Description	Finish
	1	900561	98/99 Series Mounting Pkg. (1-3/4 & 2-1/4)	
1	1	*PBKIT	98/99 Series Push Bar Retrofit Kit - 3' Door	X
1	1	*PBKIT	98/99 Series Push Bar Retrofit Kit - 4' Door	X
2	1	050014	98/99 Series End Cap Kit	X
2A	1	050524	Impact Resistant End Cap Bracket	
2B	1	090036	Cover Plate Anti-rattle Spring (Pkg of 10)	
3	1	900597	Device End Cap and C/Case Screw Pkg.	X
4	1	968144	99 Series Mechanism Case - 3' Door	X
4	1	968146	99 Series Mechanism Case - 4' Door	X
4	1	970191	98 Series Mechanism Case - 3' Door	X
4	1	970192	98 Series Mechanism Case - 4' Door	X
5	1	050529	98/99 Series Control Link Pin & Ret. Ring	
5A	1	090031	98/99 Series Control Link Pin (Pkg of 10)	
5B	1	090107	Retaining Ring (Pkg of 10)	
6	2	090037	#8-32 x 3/8" Baseplate Screw (Pkg of 10)	
7	2	090073	Mechanism Case Bracket Screw (Pkg of 10)	
8***	1	050026	98/99-F Rim Center Case Less Cover	
9**	1	050071	98/99 Rim Center Case Cover Kit	X
10	1	050491	Shock Absorber & Holder Assembly	
11	2	090049	Push Bar Guide (Pkg of 10)	
12	4	900892	Center Case Cover Screws (Pkg of 4)	X
13	1	050564	Center Case Cover Bracket	

X in "Finish" column designates finished items; finish must be specified when ordering.

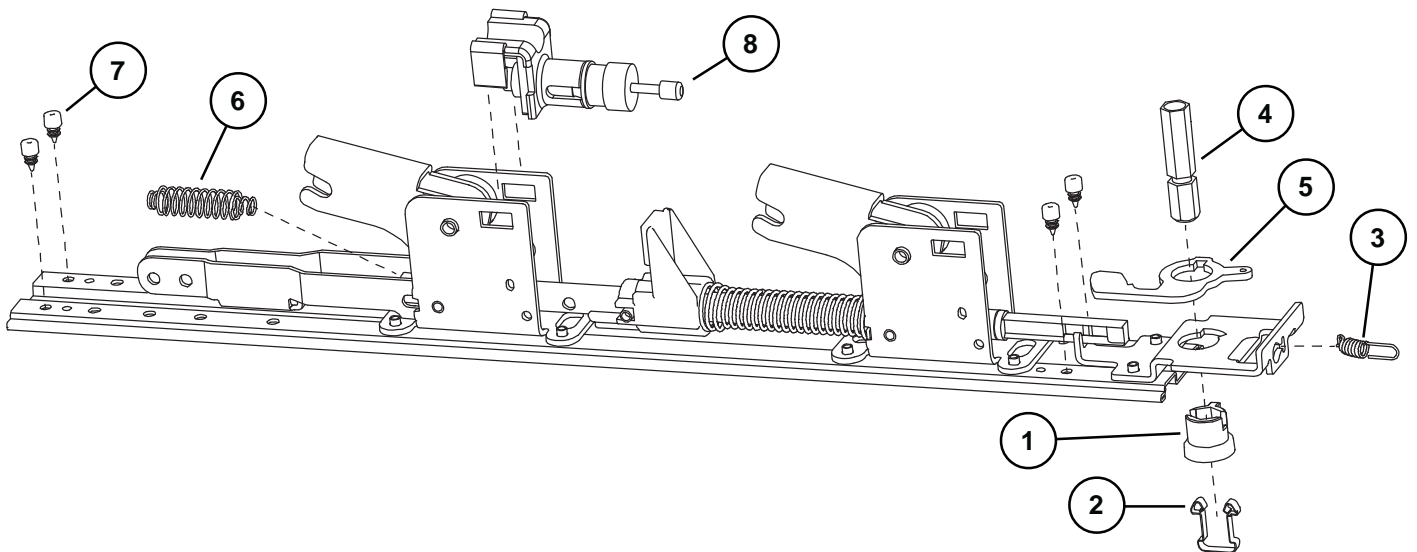
* To order, specify device type, size, and finish. Example: PBKIT 98 3' US28

**Includes parts for three piece cover conversion

***Center case assembly parts shown on page 9.

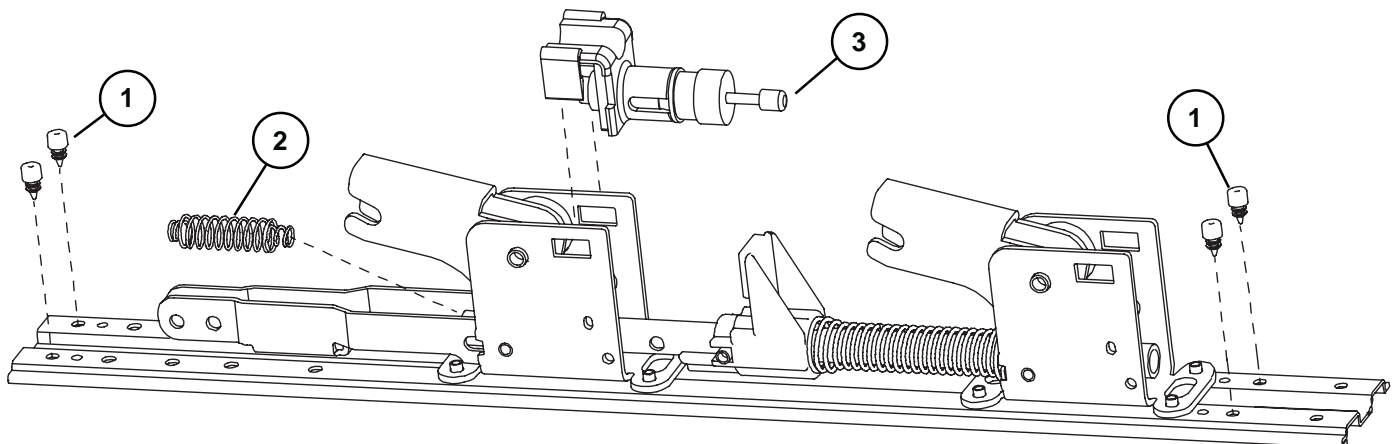
98/99 RIM PANIC DEVICE BASEPLATE ASSEMBLY

Item No.	Quantity	Part No.	Description	Finish
1	1	090043	Dogging adapter (Pkg of 2)	
2	1	090042	Dogging adapter spring (Pkg of 2)	
3	1	090041	Dogging spring (Pkg of 2)	
4	1	090040	Hex dogging shaft (Pkg of 2)	
5	1	090044	Dogging hook (Pkg of 2)	
6	1	090039	Latch return spring (Pkg of 10)	
7	4	090038	Rubber bumper (Pkg of 4)	
8	1	050491	Shock absorber	



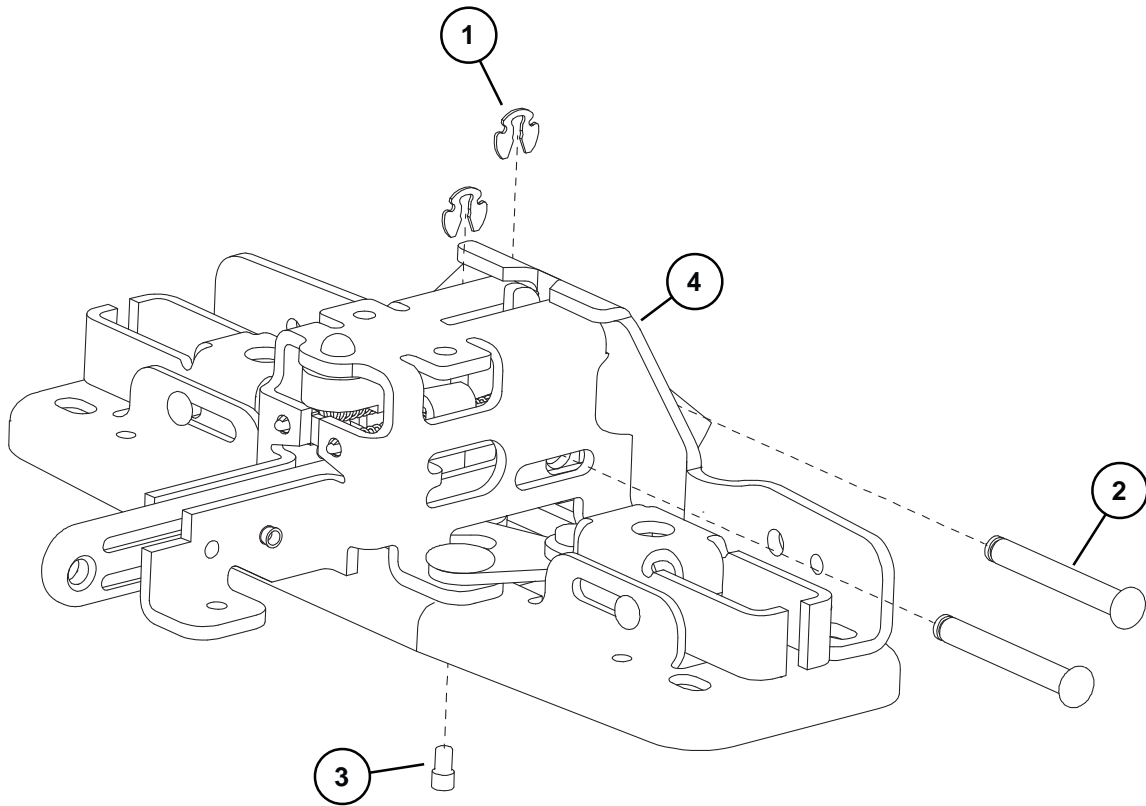
98/99-F FIRE DEVICE BASEPLATE ASSEMBLY

Item No.	Quantity	Part No.	Description	Finish
1	4	090038	Rubber bumper (Pkg of 4)	
2	1	090039	Latch return spring (Pkg of 10)	
3	1	050491	Shock absorber	



98/99 PANIC & 98/99-F FIRE DEVICE CENTER CASE ASSEMBLY

Item No.	Quantity	Part No.	Description	Finish
1	2	090107	Retaining Ring (Pkg of 10)	
2	2	090079	Latch Bolt Pin (Pkg of 10)	
3	1	090074	NL Drive Screw (Pkg of 10)	
4	1	050565	Center Case Reinforcing Bracket	



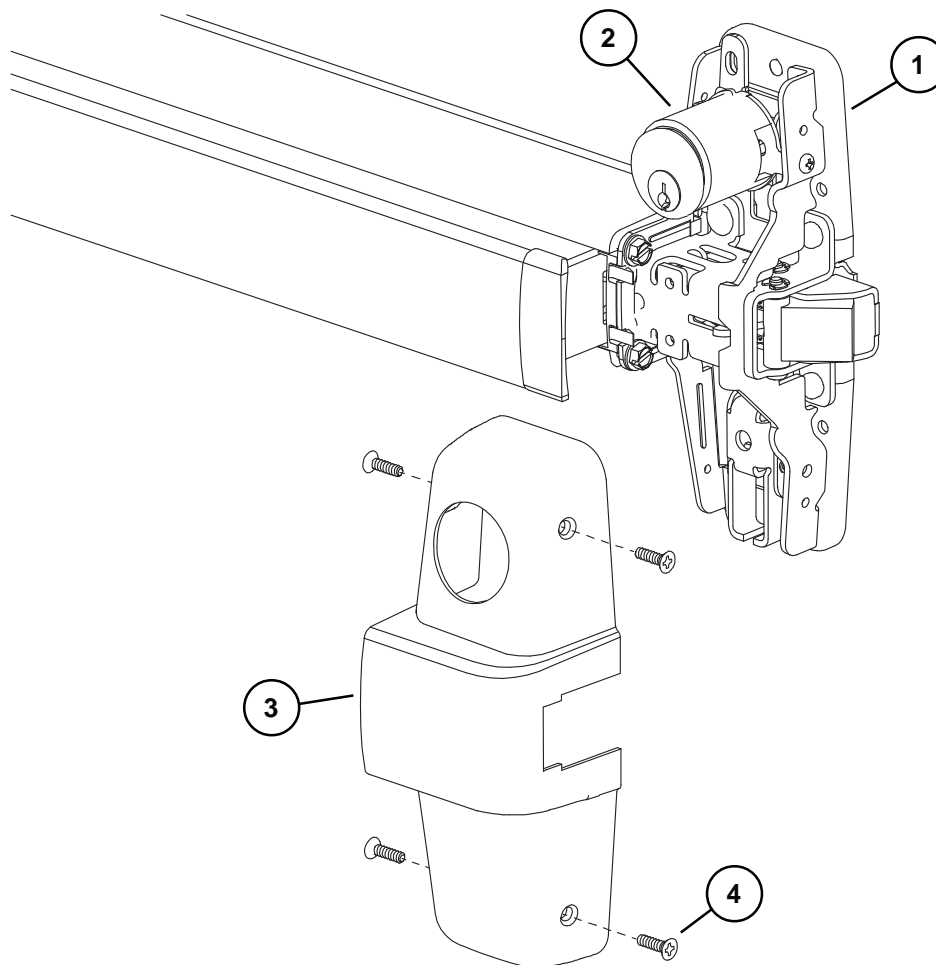
98/99-2 & 98/99-F-2 DOUBLE CYLINDER OPTION

Item No.	Quantity	Part No.	Description	Finish
1*	1	050024	98/99-2 RHR Center Case Less Cover	
1*	1	050025	98/99-2 LHR Center Case Less Cover	
1*	1	050027	98/99-F-2 RHR Center Case Less Cover	
1*	1	050028	98/99-F-2 LHR Center Case Less Cover	
2	1	113098	98/99 Rim Double Cyl. Adapter Assembly -LHR	
2	1	113099	98/99 Rim Double Cyl. Adapter Assembly -RHR	
3**	1	050555	98/99-2/SD RHR Center Case Cover Kit	X
3**	1	050556	98/99-2/SD LHR Center Case Cover Kit	X
4	4	900892	Center Case Cover Screws (Pkg of 4)	X
***	1	050388	98/99-2 Conversion Kit RHR	X
***	1	050389	98/99-2 Conversion Kit LHR	X

*Parts shown are for the double cylinder option. For other available center case parts refer to page 9.

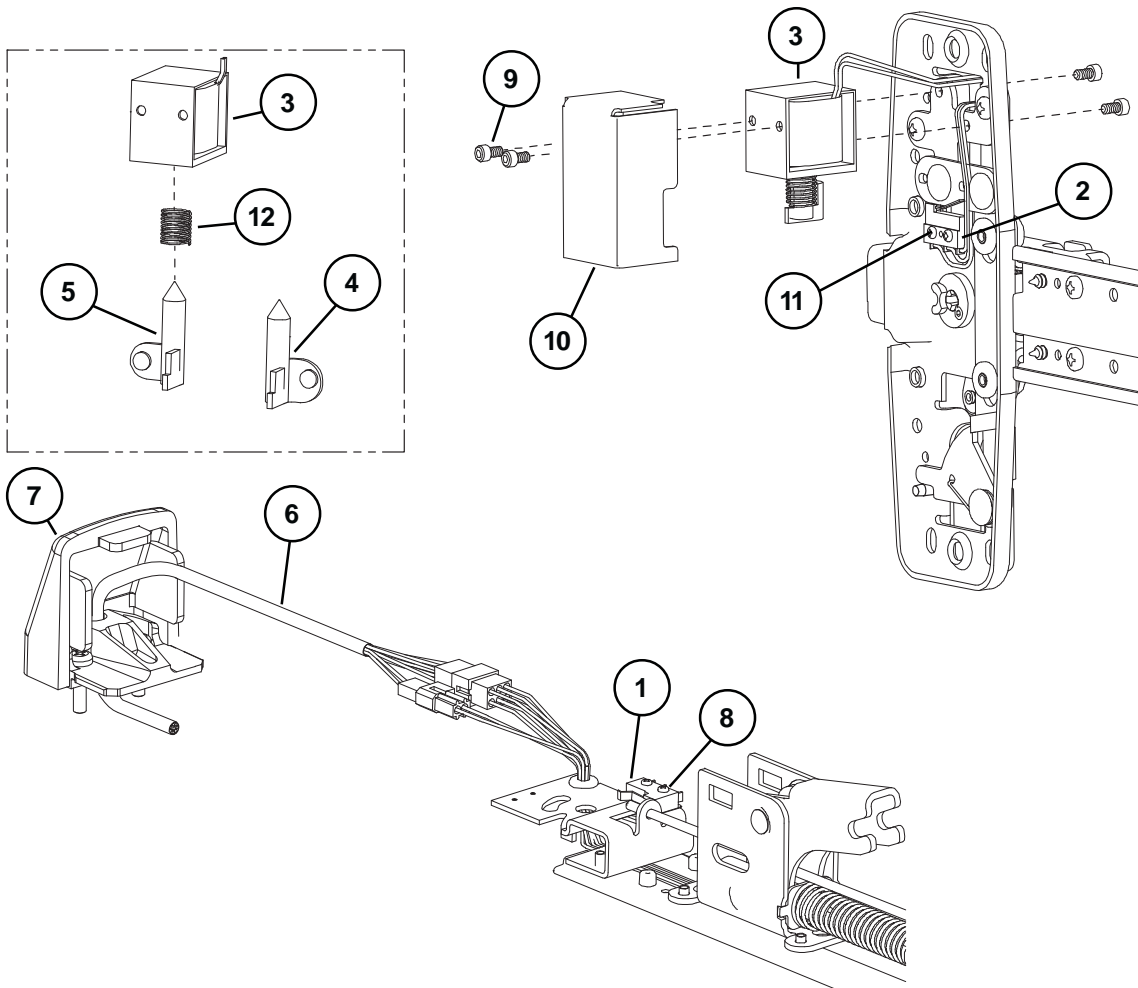
**Includes parts for three piece cover conversion.

***Kit includes items 1-4.



E98/99 & E98/99-F (ELECTRIC LOCKING) OPTION

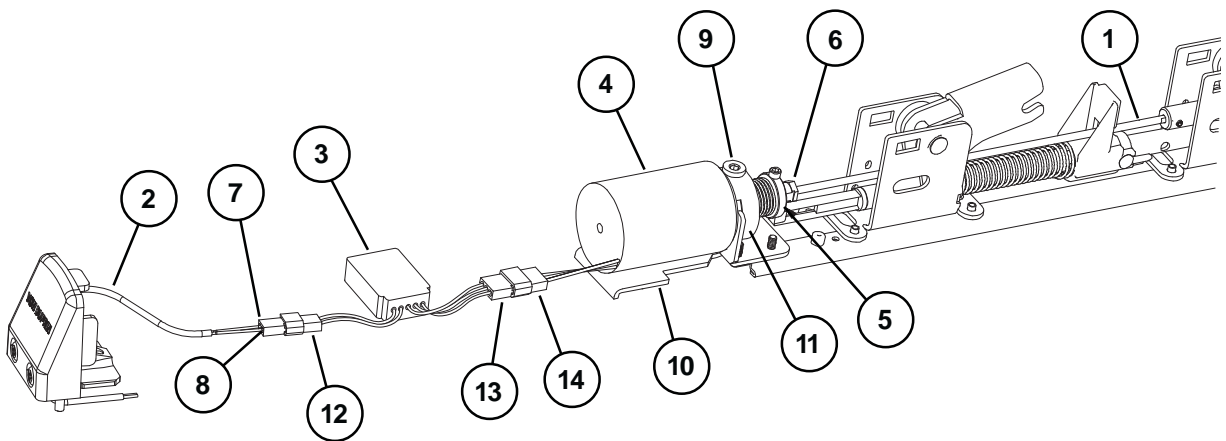
Item No.	Quantity	Part No.	Description	Finish
1	1	106224	E98/99 Rim Subminiature Switch Assembly (R,Y,B)	
2	1	968938	Subminiature Switch	
3	1	110389	E98/99 Rim Solenoid	
4	1	110392	E98/99 Solenoid Plunger - FSE RHR	
4	1	110390	E98/99 Solenoid Plunger - FSE LHR	
5	1	110393	E98/99 Solenoid Plunger - FS RHR	
5	1	110391	E98/99 Solenoid Plunger - FS LHR	
6	1	110867	E98/99 Rim Signal Cable	
7	1	050014	98/99 Series End Cap Kit	X
8	2	964269	2-56 x 3/8" PPHMS Subminiature Switch Screws	
9	4	963761	6-32 x 1/4" Socket Cap Solenoid Cover Screws	
10	1	969605	Solenoid Cover	
11	2	964000	2-56 x 3/4" PPHMS Subminiature Switch Screws	
12	1	969606	Solenoid Spring	



HD-EL98/HD-EL99 HEX DOGGING/ELECTRIC LATCH RETRACTION OPTION - PANIC DEVICE ONLY

Item No.	Quantity	Part No.	Description	Finish
1	1	050531	EL Dogging Rod Kit - 3' device	
1	1	050532	EL Dogging Rod Kit - 4' device	
2	1	110388	EL 6' Cable and Connector	
3	1	050534	EL Potted Module	
4	1	050536	HD-EL Solenoid	
5	1	050537	HD-EL Solenoid Plunger	
6	1	050538	EL Dogging Rod Retainer	
7	1	050539	EL Receptacle Connector - 2 Position	
8	2	050540	EL Female Terminal	
9	1	050541	HD-EL Dog Screw	
10	1	050542	HD-EL Solenoid Bracket	
11	1	050543	HD-EL Dogging Spring	
12	1	990599	EL Plug Connector - 2 Position	
13	1	990857	EL Receptacle Connector - 3 Position	
14	1	990858	EL Plug Connector - 3 Position	
*	1	050384	HD-EL Conversion Kit - 3'	
*	1	050385	HD-EL Conversion Kit - 4'	

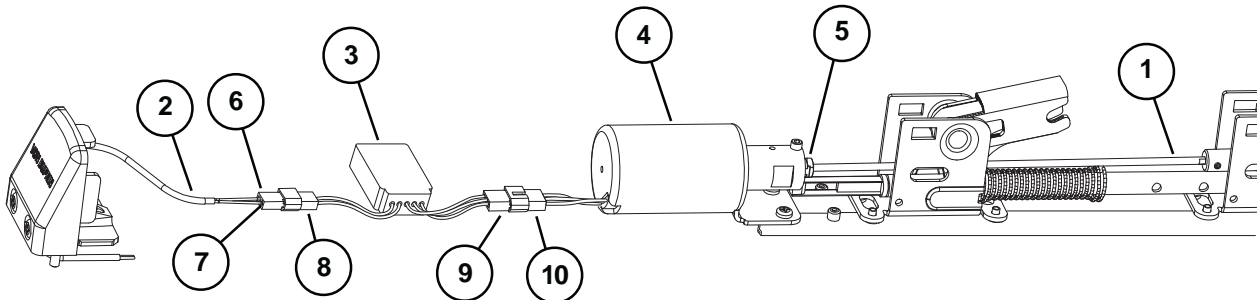
*Kit includes items 1-11 plus new control link, retaining ring, and baseplate screws.



EL98/EL99 SERIES ELECTRIC LATCH RETRACTION OPTION

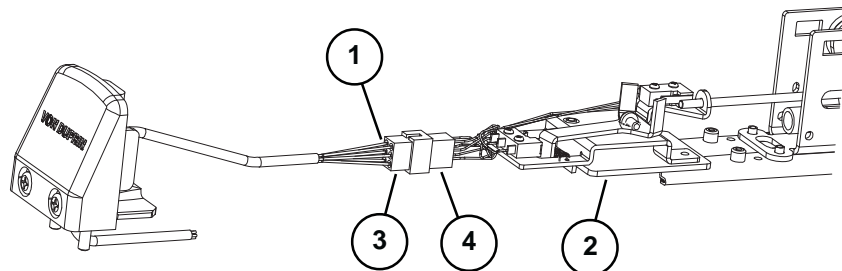
Item No.	Quantity	Part No.	Description	Finish
1	1	050531	EL Dogging Rod Kit - 3' device	
1	1	050532	EL Dogging Rod Kit - 4' device	
2	1	110388	EL 6' Cable and Connector	
3	1	050534	EL Potted Module	
4	1	050535	EL Solenoid Assembly	
5	1	050538	EL Dogging Rod Retainer	
6	1	050539	EL Receptacle Connector	
7	2	050540	EL Female Terminal	
8	1	990599	EL Plug Connector - 2 Position	
9	1	990857	EL Receptacle Connector - 3 Position	
10	1	990858	EL Plug Connector - 3 Position	
*	1	050070	EL Conversion Kit - 3'	
*	1	050078	EL Conversion Kit - 4'	

*Kit includes items 1-7 plus new control link pin, retaining ring, and baseplate screws.

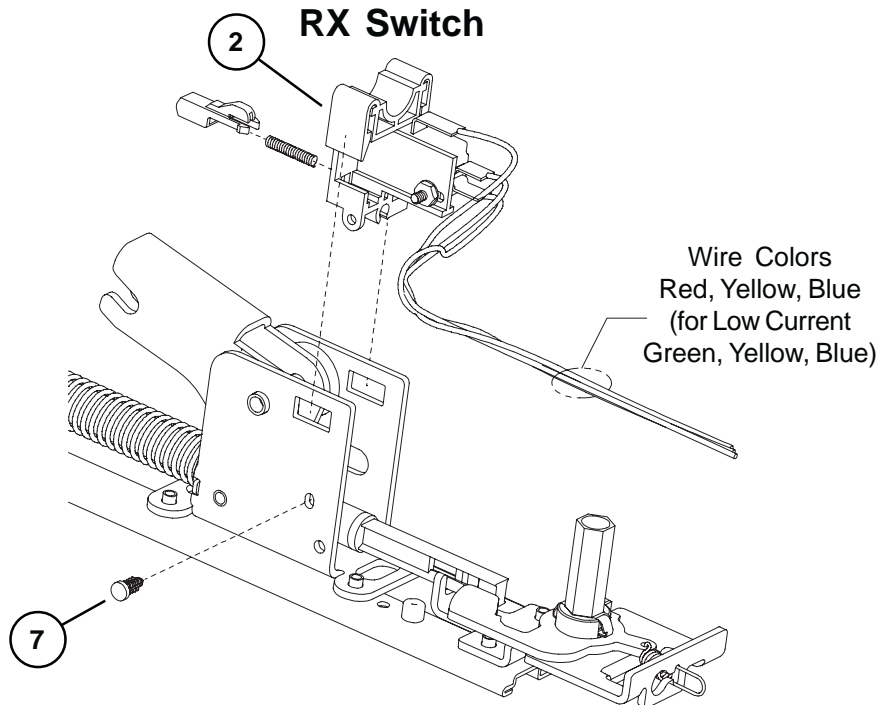
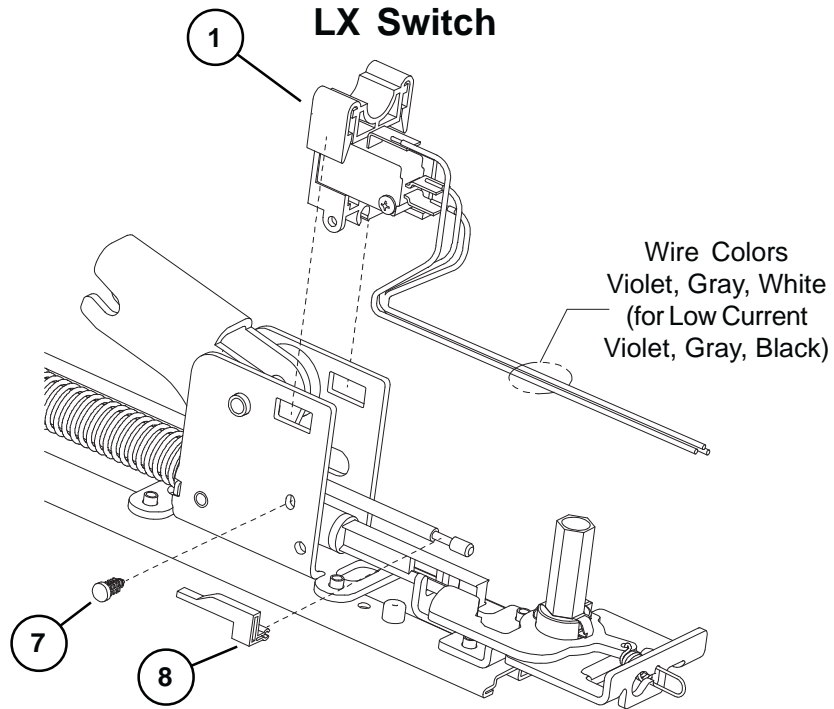


SS98/SS99 SERIES (SIGNAL SWITCH) OPTION

Item No.	Quantity	Part No.	Description	Finish
1	1	050544	SS Cable	
2	1	050545	SS Housing	
3	1	990601	SS Plug Connector - 6 Position	
4	1	990602	SS Receptacle Connector - 6 Position	

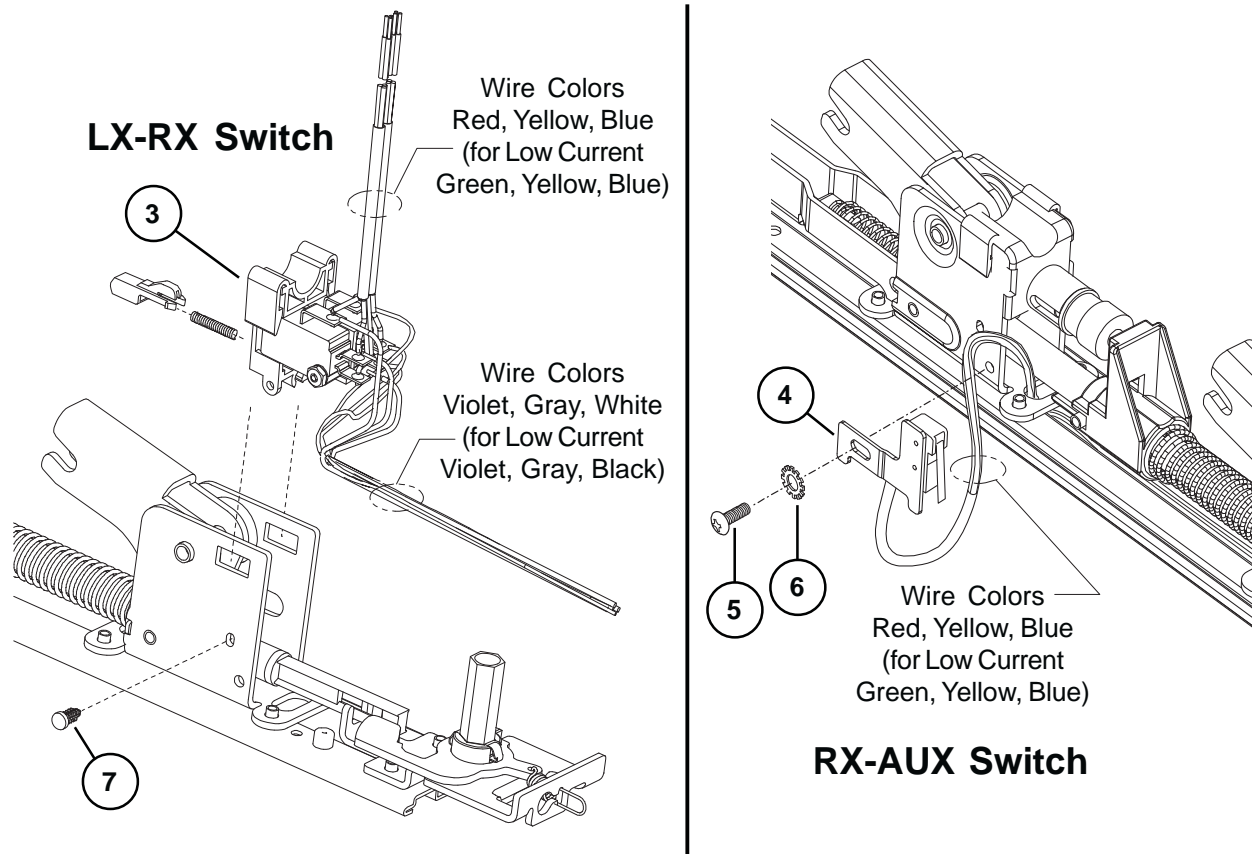


98/99 SERIES LX (LATCH BOLT MONITOR) & RX (REQUEST TO EXIT) OPTIONS



98/99 SERIES LX (LATCH BOLT MONITOR) & RX (REQUEST TO EXIT) OPTIONS

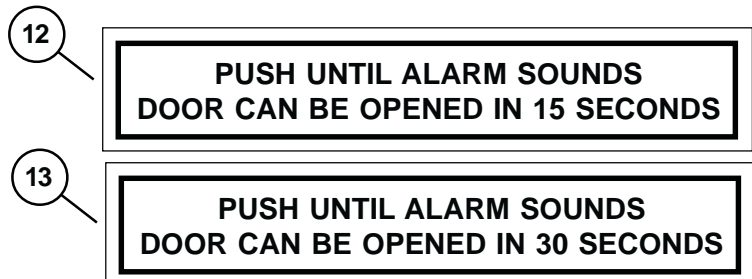
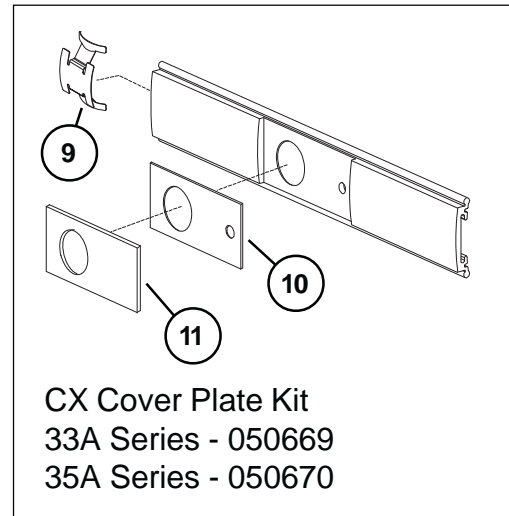
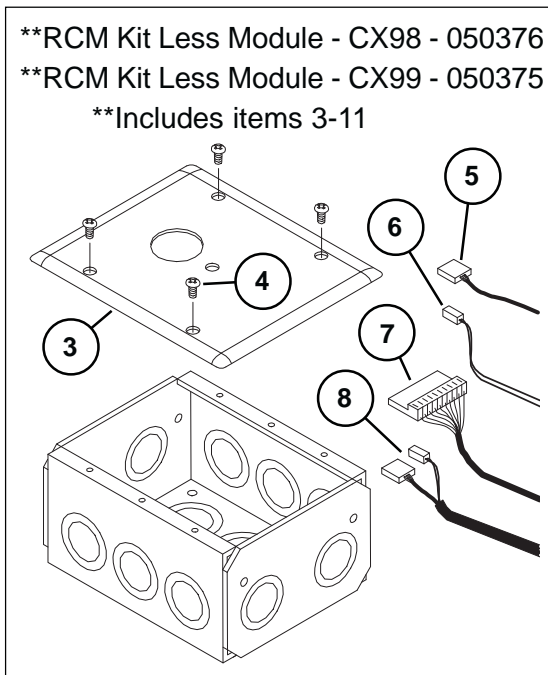
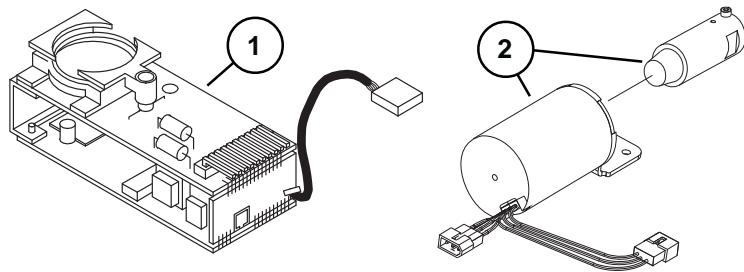
Item No.	Quantity	Part No.	Description	Finish
1	1	050254	LX Switch Kit 3' Device	
1	1	050255	LX Switch Kit 4' Device	
1	1	050247	LX-EL Switch Kit	
1	1	050283	LX-LC (Low Current) Switch Kit 3' Device	
1	1	050285	LX-LC (Low Current) Switch Kit 4' Device	
1	1	050287	LX-LC-EL (Low Current) Switch Kit	
2	1	050251	RX Switch Kit	
2	1	050281	RX-LC (Low Current) Switch Kit	
3	1	050256	LX-RX Switch Kit 3' Device	
3	1	050257	LX-RX Switch Kit 4' Device	
3	1	050259	LX-RX-EL Switch Kit	
3	1	050289	LX-RX-LC (Low Current) Sw. Kit 3' Device	
3	1	050291	LX-RX-LC (Low Current) Sw. Kit 4' Device	
3	1	050293	LX-RX-LC-EL (Low Current) Switch Kit	
2 & 4	1	050270	RX-2 Switch Kit	
4	1	050271	RX-AUX Switch Kit	
5	1	964558	8-32 x 5/16" PPHMS	
6	1	964019	#8 Washer	
7	1	090099	Pine Tree Clip (Pkg of 10)	
8	1	971091	LX Actuator	



CX98/99 SERIES CHEXIT AND CX-RCM OPTION

Item No.	Quantity	Part No.	Description	Finish
1	1	050228	Chexit PCB Kit - 15 Second Release	
1*	1	050700	Chexit PCB Kit - 30 Second Release	
1	1	050701	Chexit PCB Kit - 0 Second Release	
1	1	050702	Chexit PCB Kit - Boca 15 Second Release	
1*	1	050703	Chexit PCB Kit - Boca 30 Second Release	
2	1	050533	CX Solenoid and Plunger	
3	1	113111	Faceplate and Adapter	X
4	4	963898	6-32 x 3/8" OPHMS Faceplate Screws	X
5	1	991338	RCM 3 Wire RX Cable	
6	1	991339	RCM 2 Wire Solenoid Cable	
7	1	112018	Chexit Wiring Assembly	
8	1	991336	CX-RCM Cable Assy - 5 Wire	
9	1	090036	Cover Plate Anti-rattle Spring (Pkg of 10)	
10	1	970513	LED Cover Mask - Chexit	
11	1	970519	LED Cover - Chexit	
12	1	113781	Sign 15 Second - Chexit	
13	1	113782	Sign 30 Second - Chexit	

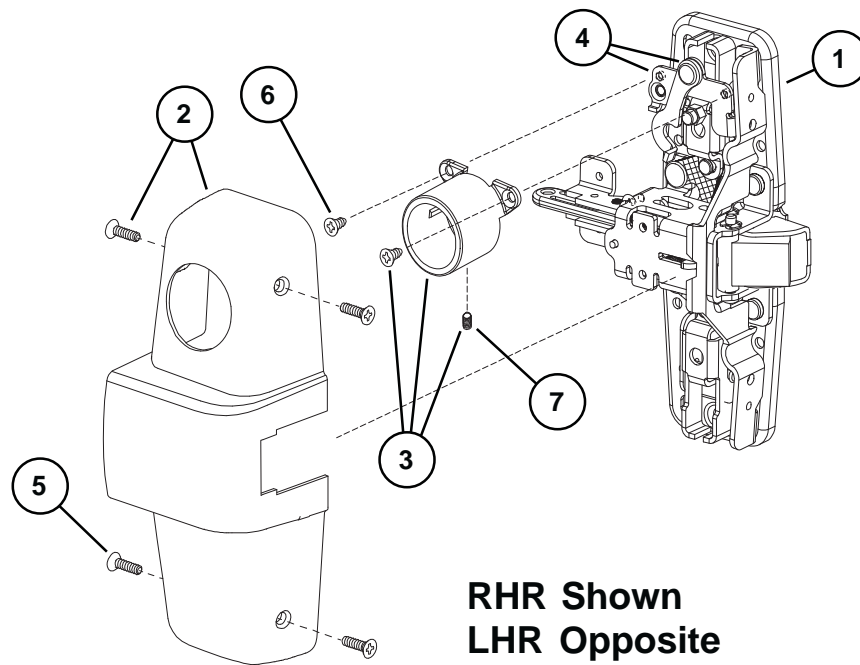
***Over 15 seconds delay requires a letter of approval from authority having local jurisdiction.
Fax letter in with sales order. The order cannot be processed without the letter.**



CX-CD/SD98/99 SERIES OPTION

Item No.	Quantity	Part No.	Description	Finish
1*	1	050548	SD98/99 RHR Center Case Kit Less Cover	
1*	1	050549	SD98/99 LHR Center Case Kit Less Cover	
2	1	050555	SD98/99 RHR Center Case Cover Kit	X
2	1	050556	SD98/99 LHR Center Case Cover Kit	X
3	1	112409	CD-CX/SD Cylinder Dog Housing	
4	1	112455	CX-CD/SD Cylinder Dog Bracket Kit RHR	
4	1	112456	CX-CD/SD Cylinder Dog Bracket Kit LHR	
5	4	900892	Center Case Cover Screws	X
6	2	PkgServ.1018	8-32 x 1/4" UFPHMS (Pkg of 20)	
7	1	964240	Bracket Set Screw	
*	1	050386	SD98/99 Rim Conversion Kit RHR	X
*	1	050387	SD98/99 Rim Conversion Kit LHR	X

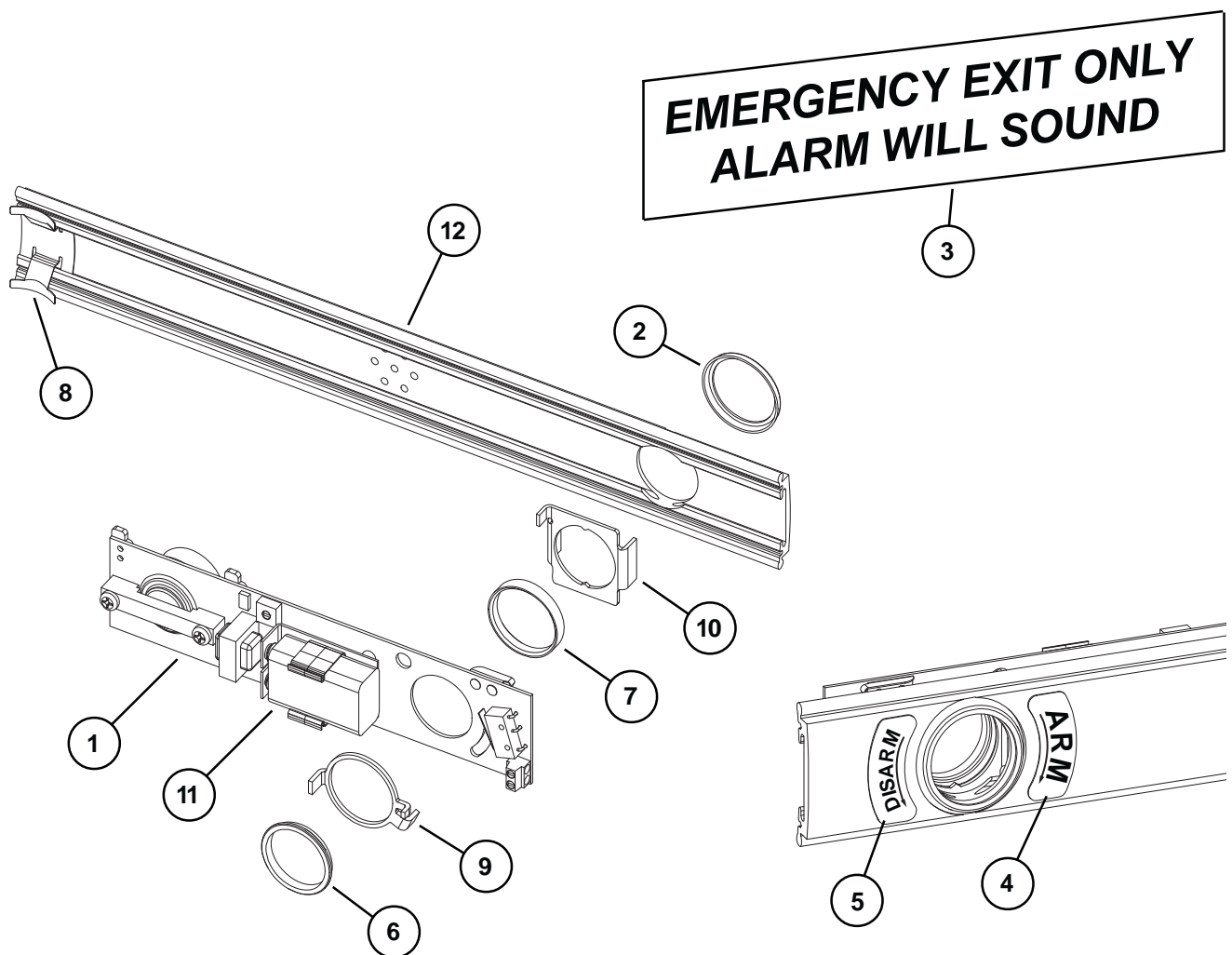
*Parts shown are for the CX-CD/SD option. For other available center case parts refer to page 9.



98/99 ALK EXIT ALARM KIT

Item No.	Quantity	Part No.	Description	Finish
1	1	111795	ALK PCB Assembly	
2	1	050525	Cylinder Collar	X
3	1	969122	ALK Alarm Device Sign	
4	1	969349	ALK Arming Label	
5	1	969350	ALK Disarming Label	
6	1	969354	Retainer Nut	
7	1	970594	ALK Cylinder Spacer	
8	1	090036	Cover Plate Anti-rattle spring (Pkg of 10)	
9	1	971556	ALK Switch Actuator	
10	1	971557	ALK Cylinder Bracket	
11	1	990637	ALK Battery	
12	1	050569	99 Series ALK Cover Plate Kit	X
12	1	050570	98 Series ALK Cover Plate Kit	X

X in "Finish" column designates finished items; finish must be specified when ordering.

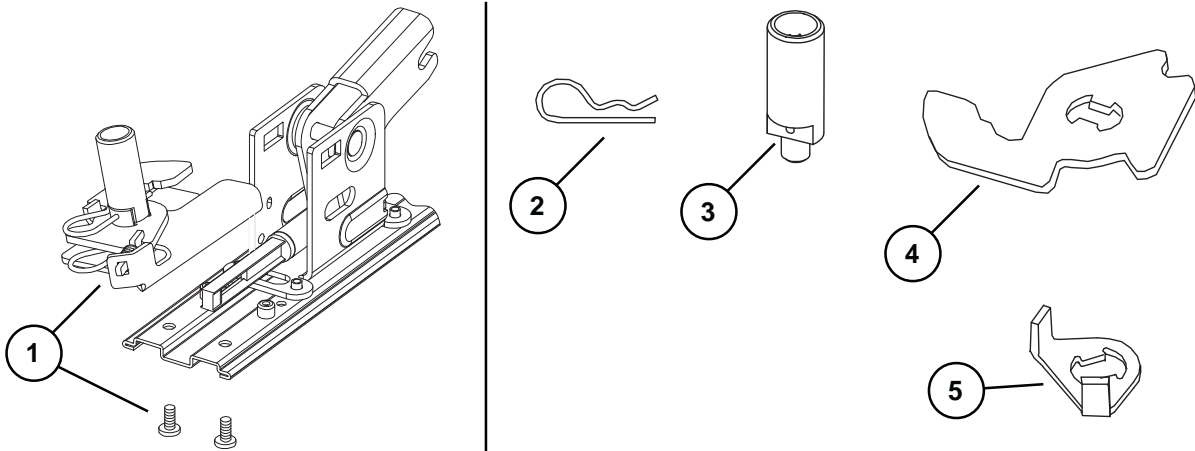


98/99 SERIES SERVICE REPLACEMENT ITEMS

Item No.	Quantity	Part No.	Description	Finish
1	1	050153	Old Style Hex Dogging Replacement Kit	
2	1	963909	#22 Hitch Pin - Hex/CD Dogging Old Style	
3	1	968112	Old Style Hex Dog Shaft	
4	1	969941	Old Style Dogging Hook	
5	1	968116	Old Style CD Actuator Arm	
6	1	900905	Old Style End Cap and Bracket Assembly	X
7	1	970548	Old Style Cover Plate Stop - End Cap	
8	1	900901	Old Style End Cap Screw Package	X
9	1	971082	Old Style 98/99 End Cap - Stainless Steel	X
9	1	971083	Old Style 98/99 End Cap - Brass	X
9	1	971084	Old Style 98/99 End Cap - Bronze	X
9	1	971085	Old Style 98/99 End Cap - Aluminum	X

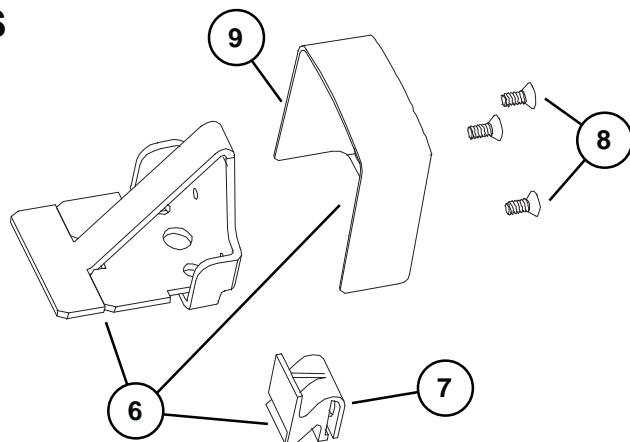
X in "Finish" column designates finished items; finish must be specified when ordering.

OLD STYLE DOGGING PARTS (FOR DEVICES SHIPPED BEFORE AUGUST 1997)



OLD STYLE END CAP PARTS (FOR DEVICES SHIPPED BEFORE JANUARY 2002)

Note: Newer style end cap kit shown on pages 4-5. Newer style end cap kit can be used on devices manufactured before January 2002, but mechanism case and cover plate on hinge stile must have a square cut and a clean edge.



98/99 SERIES SERVICE REPLACEMENT ITEMS

Item No.	Quantity	Part No.	Description	Finish
1	1	050218	EL Solenoid Replacement Kit	

X in "Finish" column designates finished items; finish must be specified when ordering.

EL SOLENOID REPLACEMENT KIT (FOR DEVICES SHIPPED BEFORE JANUARY 1987)

Note: This kit replaces the old style EL solenoid parts with the new style.

