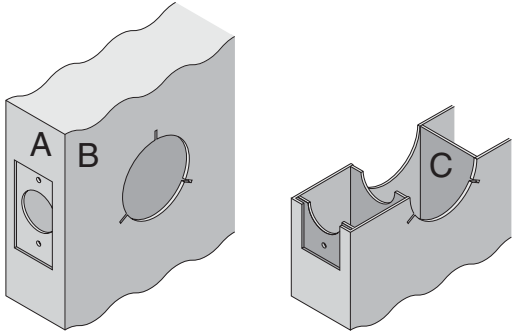


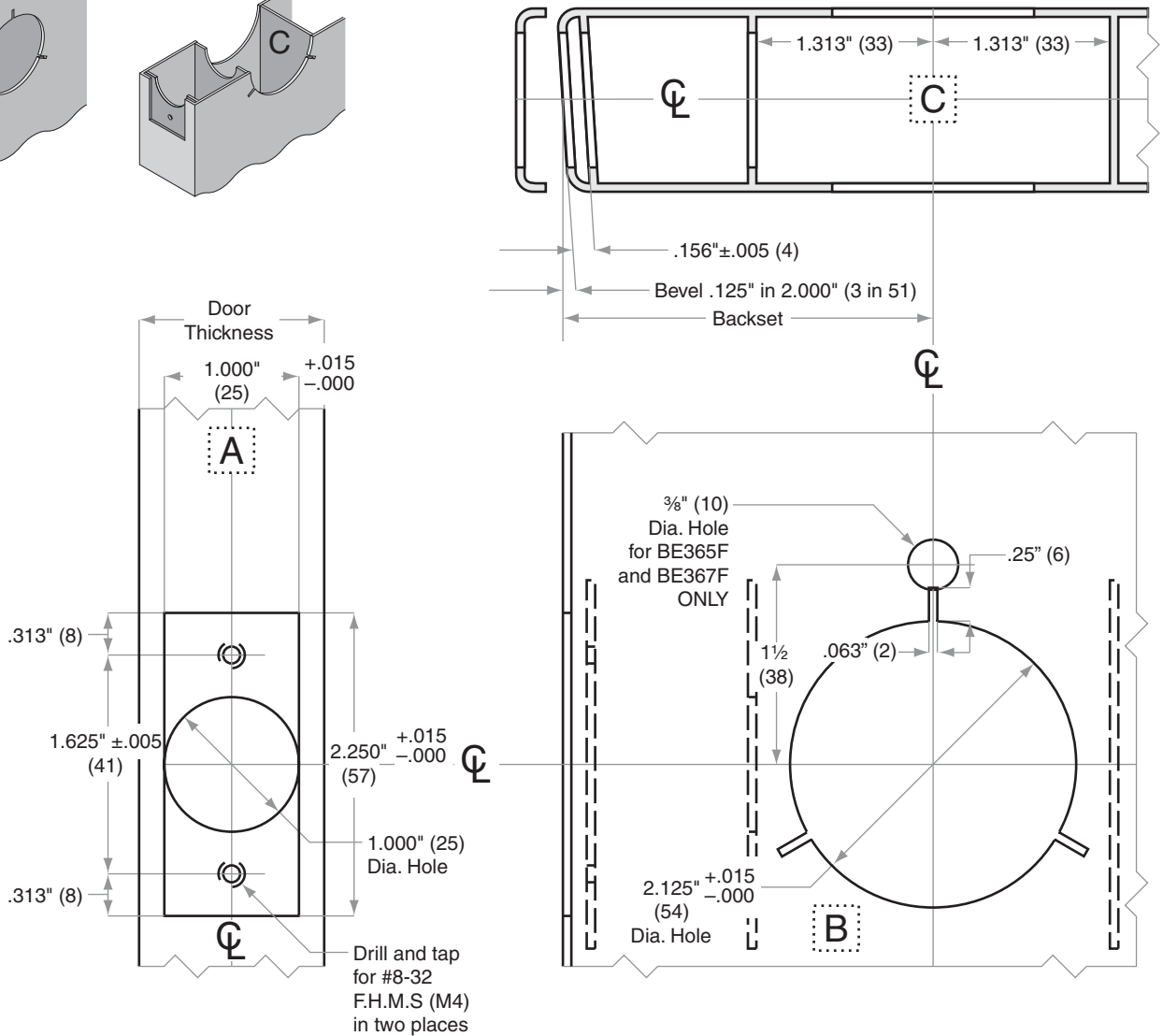
BE-Series

BE365, BE365F, BE367, BE367F

Door Type:	Metal, Flat or Beveled
Door Thickness:	1 $\frac{3}{8}$ " (35mm)–1 $\frac{3}{4}$ " (44mm)
Faceplate:	Square Corner, 1" (25mm) wide
Backsets:	B923-C, 2 $\frac{3}{8}$ " (60mm) B923-D, 2 $\frac{3}{4}$ " (70mm)



For metal door installations, suitable reinforcement is required to support latch in center of door and to prevent lateral movement



Dimensions shown in parentheses () are in millimeters

Job: _____

Date: _____

Door Thickness: _____

Remarks: _____

TEMPLATE
B923