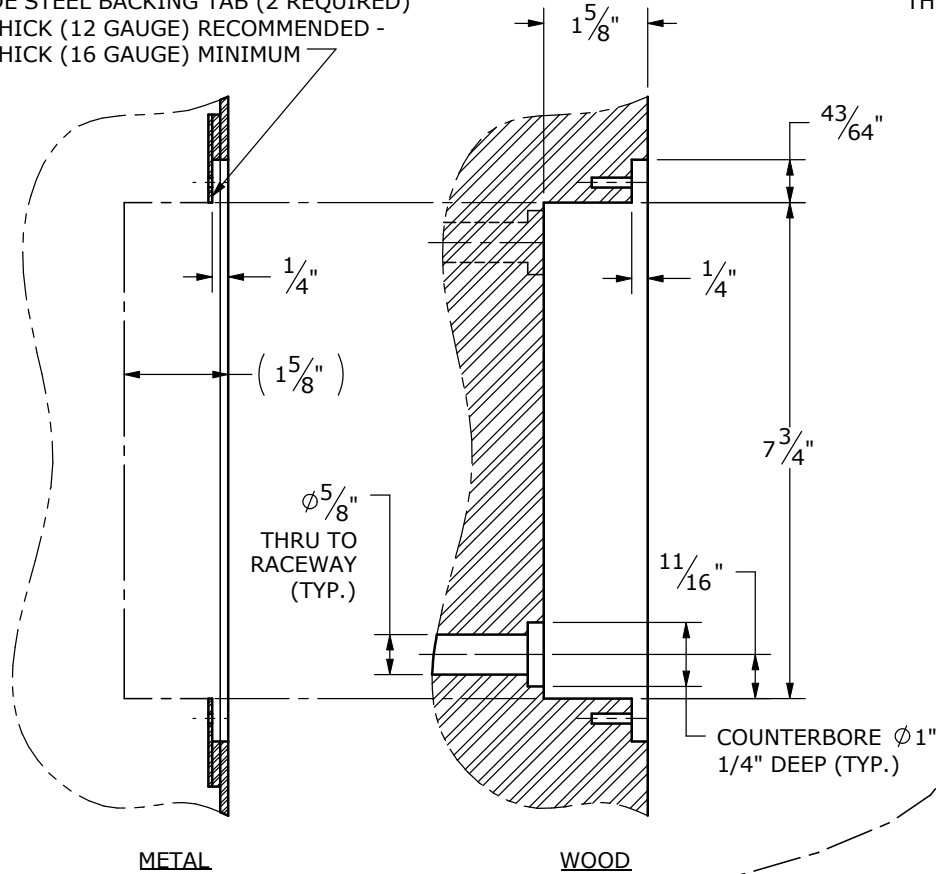
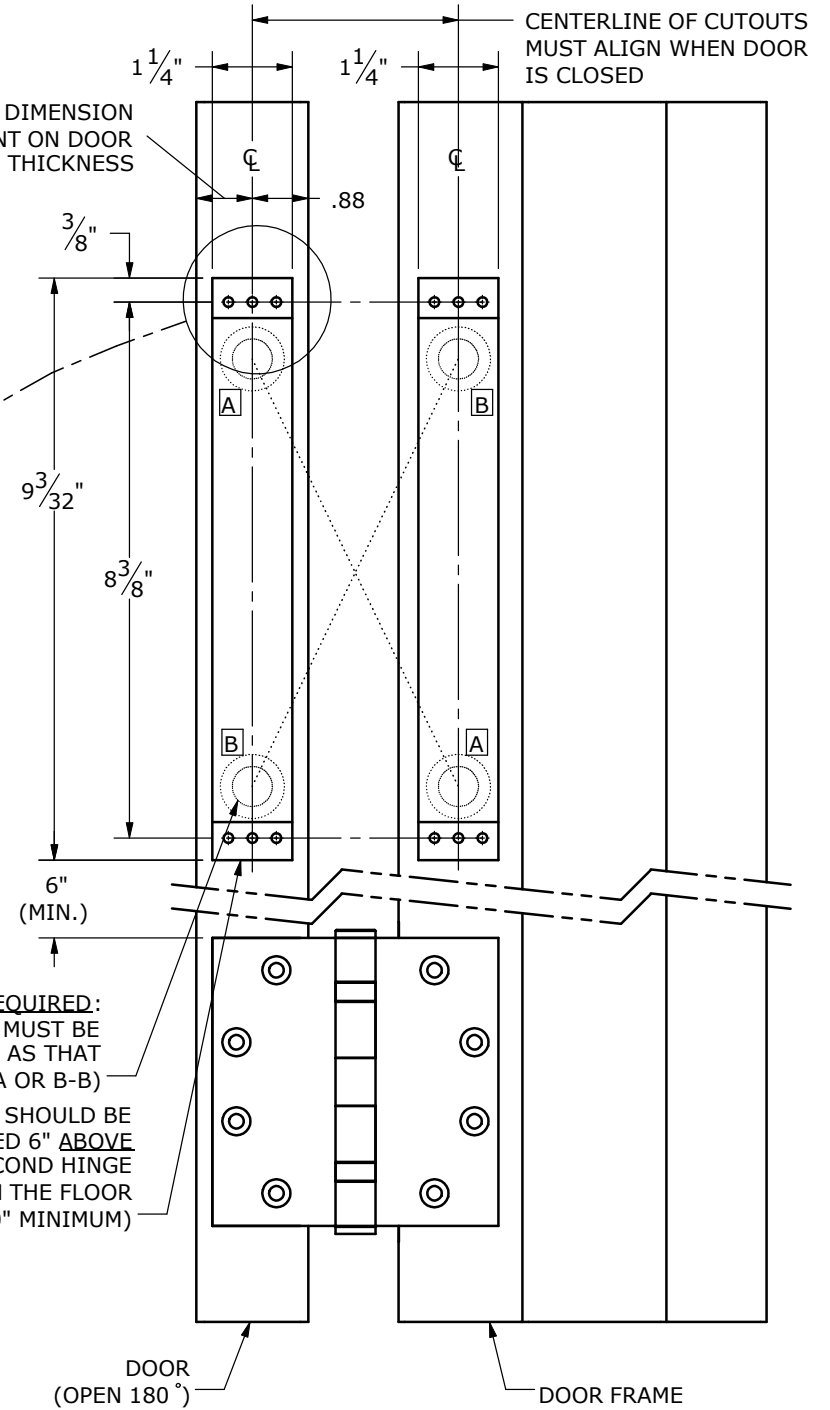


PROVIDE STEEL BACKING TAB (2 REQUIRED)
 .105" THICK (12 GAUGE) RECOMMENDED -
 .060" THICK (16 GAUGE) MINIMUM

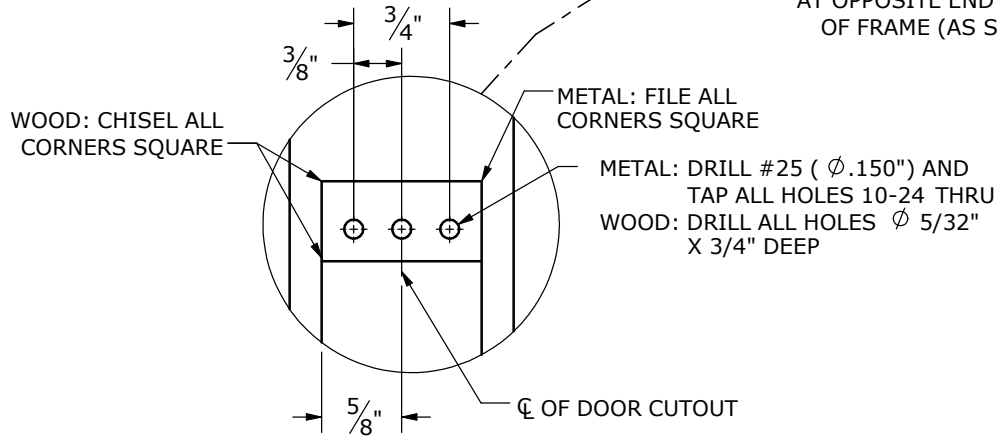


THIS VARIABLE DIMENSION
 IS DEPENDENT ON DOOR
 THICKNESS



IF HOLES ARE REQUIRED:
 HOLE DRILLED IN DOOR MUST BE
 AT OPPOSITE END OF CAVITY AS THAT
 OF FRAME (AS SHOWN; A-A OR B-B)

THE CEPT SHOULD BE
 MOUNTED 6" ABOVE
 THE SECOND HINGE
 FROM THE FLOOR
 (40" MINIMUM)



CEPT INSTALLATION DIAGRAM

NOTE: THIS DRAWING IS NOT TO SCALE!