

MOUNTING INFORMATION

Sex nuts or through bolts are required for wood and plastic covered composite doors, and any type of door without reinforcements and recommended for wood core and metal clad (Kalamein) type doors.

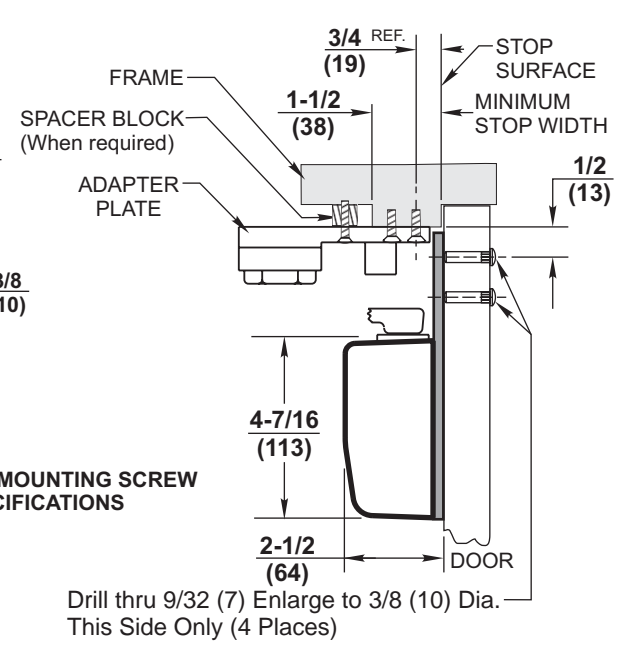
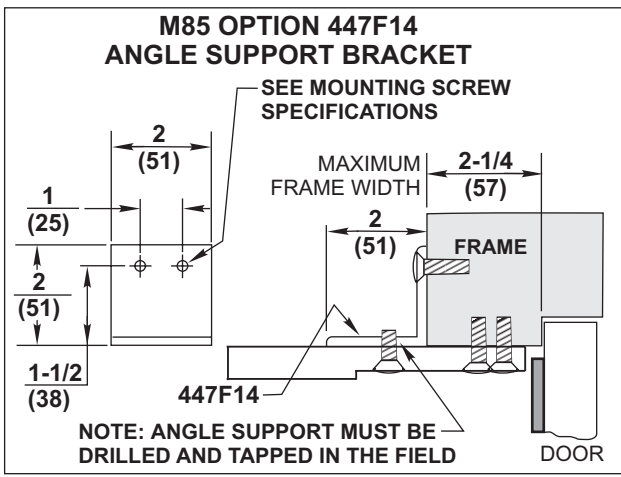
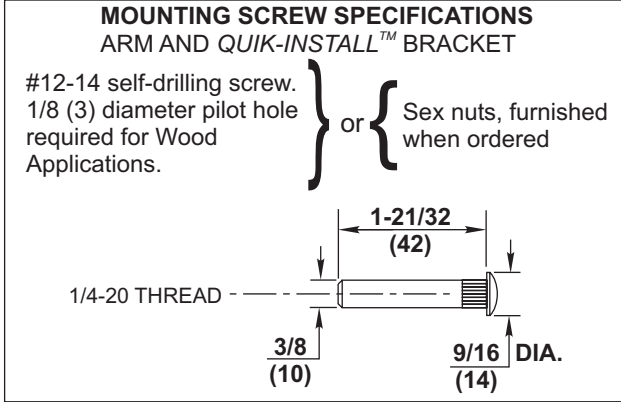
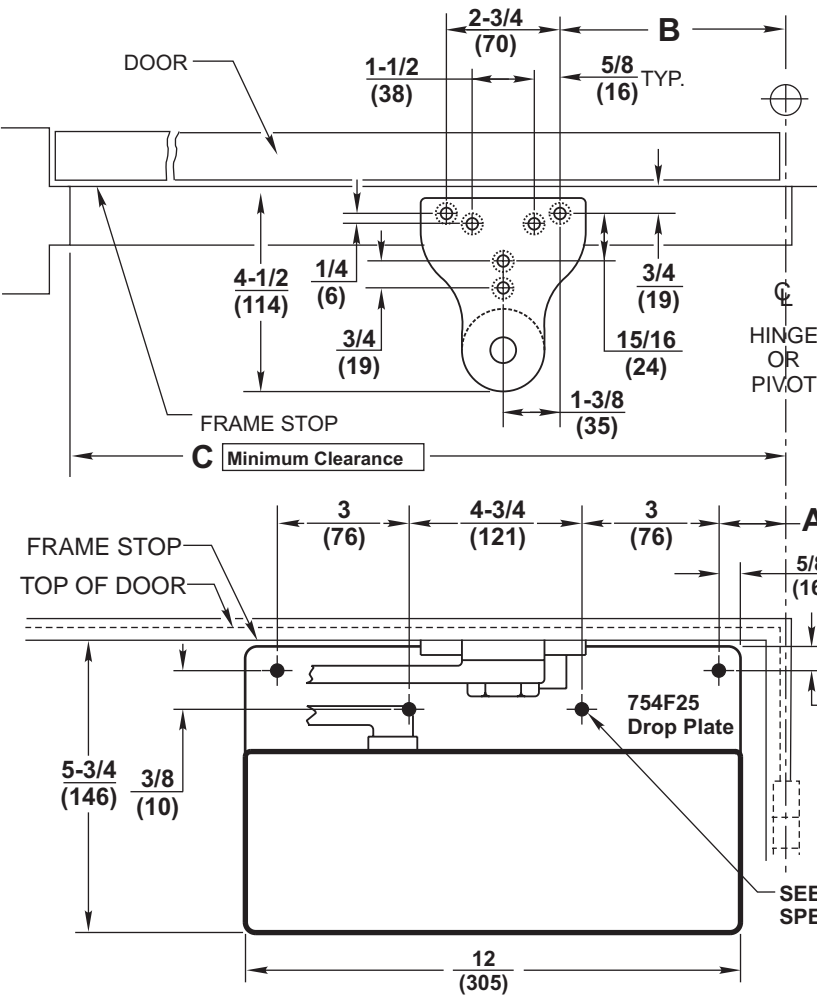
RH SHOWN
LH OPPOSITE

CAUTION: Closer To Be Installed In A True Horizontal Position To Ensure Proper Closer Performance.

NOTES:

1. Dimensions "A" & "B" apply to centerline of hinge/pivot for butt hinges or offset pivots.
2. Dimensions given in inches and (mm).
3. Minimum Top Rail: 2 (51)
4. For A2 Arms: Auxiliary door stop required by others.
5. A2 and A5 arms cannot be used on fire doors.

OPENING MAXIMUM	A 754F25 Drop Plate	B Soffit Bracket	C MINIMUM Clearance
85°	8-3/8 (213)	12-7/16(316)	28-7/8 (733)
90°	7-3/8 (187)	11-1/2 (292)	28 (711)
100°	5-7/8 (149)	10 (254)	26-3/8 (670)
110°	4-1/2 (114)	8-5/8 (219)	25-1/8 (638)



RESPONSIBILITY

Door and Frame Manufacturers are responsible for providing adequate construction or reinforcements for proper installation of hardware shown. All architectural builders hardware must be installed on properly reinforced doors and frames, regardless of the type, material, or method of construction.

DC8210 Series x A2/A4/A5 x 754F25

Parallel Arm Mounted
Surface Door Closer
with 754F25 Drop Plate
by Hold Open and / or
Backstop Arm



ASSA ABLOY
www.corbinrusswin.com

Do Not Scale Drawing		
Supersedes	Dr.	App.
Date 04-08	Template Number	T31053