

- NOTES:  
 1- USE DIMENSIONS FROM DIAGRAM A TABLE TO ADJUST BACK-SET POSITION ACCORDING TO LOW AND HIGH BEVEL DOOR EDGE.  
 2- DIMENSIONS ARE SYMETRICAL ABOUT  $\text{CL}$  UNLESS OTHERWISE NOTED.  
 3- THIS DRAWING HAS SPECIFIC TOLERANCES. REFER TO TABLE FOR DIMENSIONS MARKED WITH @  
 4- DEPTH MEASURED FROM THE FRONT OF DOOR, ON THE CENTER LINE  $\text{CL}$

SPECIFIC TOLERANCES:

DISTANCES:	$\pm .030$ ( $\pm .75\text{mm}$ )
HOLES $\text{Ø}$ :	$\pm .010$ ( $\pm .25\text{mm}$ )
DIMS MARKED @:	$+ .030$ ( $+ .75\text{mm}$ ) $- .000$ ( $- .00\text{mm}$ )

REVISIONS					
REV	ECN	DESCRIPTION	FAIT PAR MADE BY	VERIF PAR CHK'D BY	DATE
3	12255	71M AND 770 ADDED IN TITLE BLOCK	P.P.	A.T.	14DE 2006
4	12494	DIMS $\nabla .094$ WAS $.060$	P.P.	A.T.	15JN 2007
5	12610	790 ADDED IN TITLE BLOCK	F.D.	C.D.	24OC 2007

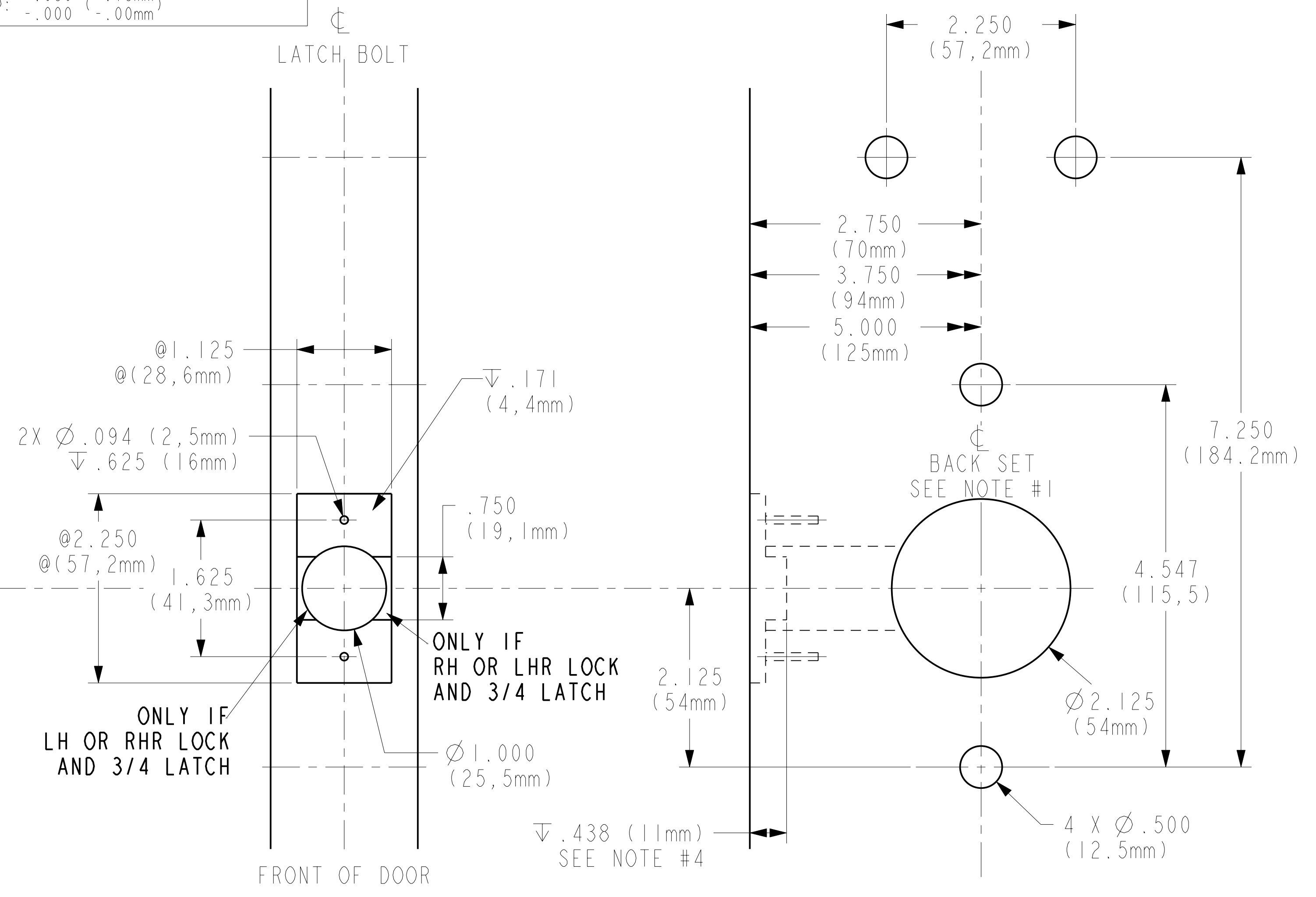
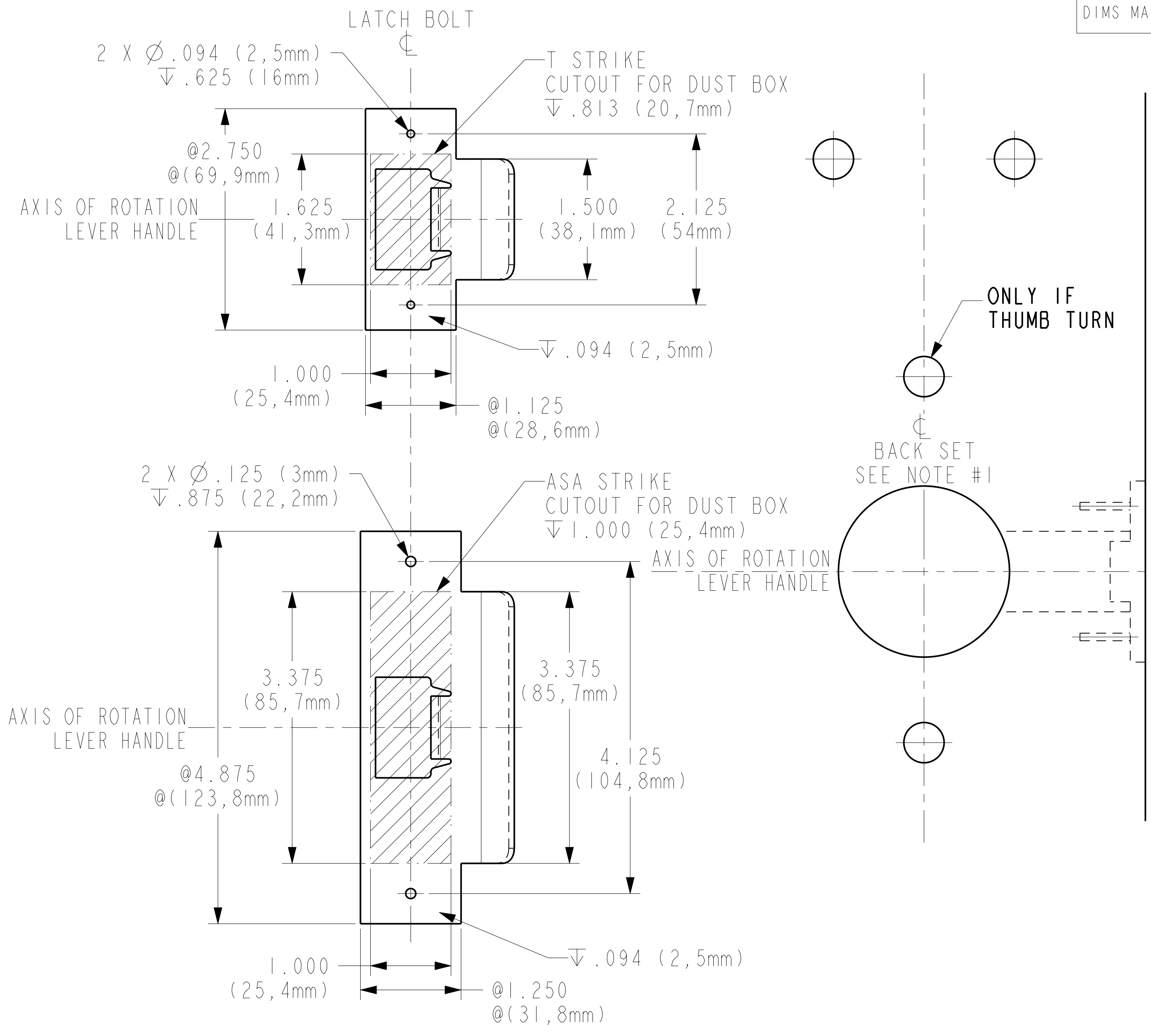
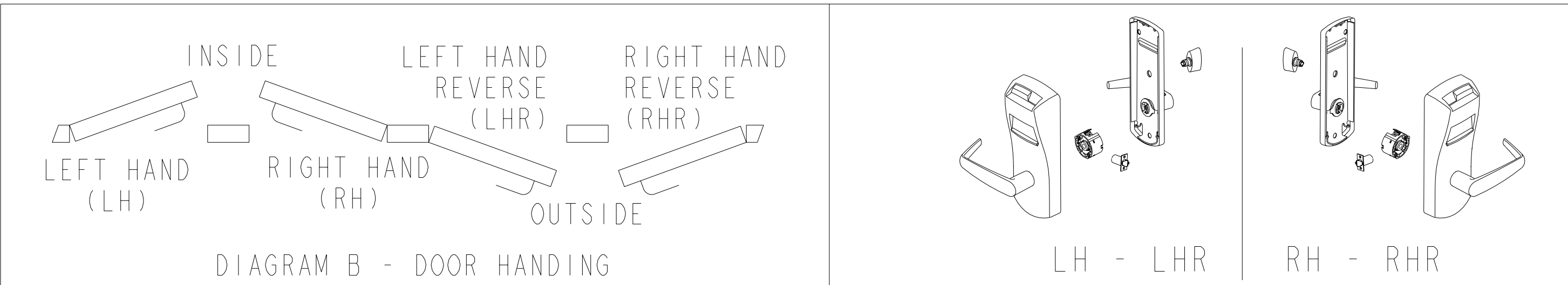


DIAGRAM A - BACK SET AJUSTEMENT FOR 3° BEVEL DOOR

DOOR THICKNESS DIMENSION X	BACK SET AJUSTEMENT DIMENSION Y
1.25 (31,8mm)	.032 (0,81mm)
1.50 (38,1mm)	.039 (1,00mm)
1.75 (44,5mm)	.046 (1,17mm)
2.00 (50,8mm)	.052 (1,32mm)
2.25 (57,2mm)	.059 (1,50mm)
2.50 (63,5mm)	.065 (1,65mm)
2.75 (69,9mm)	.072 (1,83mm)

Diagram A shows a cross-section of the door edge with dimensions for LOW BEVEL EDGE and HIGH BEVEL EDGE. A STANDARD BACK-SET of 2.750 (70mm) is indicated. The reference dimension is 1.125 (28,6mm).

- SYMBOLS
- $\nabla$  DEEP
  - $\text{CL}$  CENTER LINE
  - $\text{Ø}$  DIAMETER
  - $\text{---}$  NOT TO SCALE



LE MATERIAU ET LA FINITION DE CETTE PIECE DOIVENT RESPECTER LES DIRECTIVES ENVIRONNEMENTALES; REFERENCE AU STANDARD D'INGENIERIE DE KABA ES-073.  
 MATERIAL AND FINISH OF THIS PART TO COMPLY WITH ENVIRONMENTAL DIRECTIVES; REFERENCE TO KABA'S ENGINEERING STANDARD ES-073.

XXX	DIMENSIONS CRITIQUES CRITICAL DIMENSIONS	SANS AUTRES SPECIFICATIONS, LES DIMENSIONS SONT EN POUCES ET S'APPLIQUENT APRES FINITION.	DESSINE PAR: DRAWN BY: P. PRIEUR 01AU02		7301, Decarie Boul Montreal, QC Canada H4P 2G7 www.kaba-ilco.com
$\text{Ø}$	PROJECTION 3iem ANGLE THIRD ANGLE PROJECTION	UNLESS OTHERWISE SPECIFIED, DIMENSIONS ARE IN INCHES AND APPLY AFTER FINISH.	CONCU PAR: DESIGNED BY: C. DOUCET 01AU02		
NE PAS MESURER SUR LE DESSIN DO NOT SCALE DRAWING		TOLERANCES: SAUF SI SPECIFIEES AUTREMENT UNLESS OTHERWISE SPECIFIED	VERIFIE PAR: VERIFIED BY: -	DOOR PREPARATION CYLINDRICAL UNIT - 2-3/4" BACKSET LEFT HAND (LH) - LEFT HAND REVERSE (LHR) RIGHT HAND (RH) - RIGHT HAND REVERSE (RHR) 660, 760, 770, 790, E-2000 AND 76M LOCK SERIES	
DIMENSIONING AND TOLERANCING AS PER AMERICAN SOCIETY OF MECH ENGINEERS ASME Y14.5-1994		MATERIAU / MATERIAL	APPROUVE PAR: APPROVED BY: -	FORMAT NO PIECE / PART NO: NO DESSIN / DRAWING NO:	
CE DOCUMENT EST LA PROPRIETE STRICTE DE KABA. LES DONNEES QU'IL CONTIENT NE PEUVENT ETRE COPIEES OU DIVULQUEES A UNE TIERCE PARTIE SANS LE CONSENTEMENT ECRIT DE KABA. CE DOCUMENT DEVRA ETRE RETOURNE SUR DEMANDE A KABA.		SPECIFIC TOLERANCES SEE NOTES	NOT APPLICABLE	B ECH SCALE N/A NTS PG SHT I DE OF I	
THIS DOCUMENT IS PROPERTY OF KABA. THE DATA CONTAINED IS PROPRIETARY AND SHALL NOT BE COPIED OR DISCLOSED TO A THIRD PARTY WITHOUT WRITTEN CONSENT OF KABA. THIS DOCUMENT WILL BE RETURNED TO KABA UPON DEMAND.		TRAITEMENT THERMIQUE / HEAT TREATMENT	NOT APPLICABLE		
UNE VERSION FRANCAISE DE CE DOCUMENT EST DISPONIBLE SUR DEMANDE.					