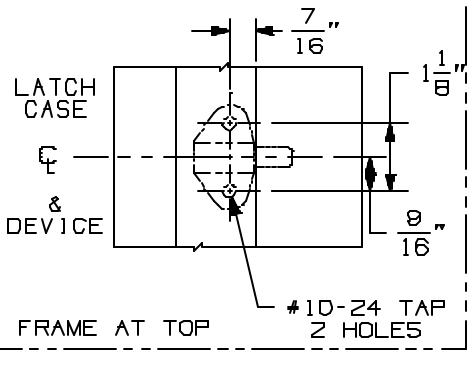
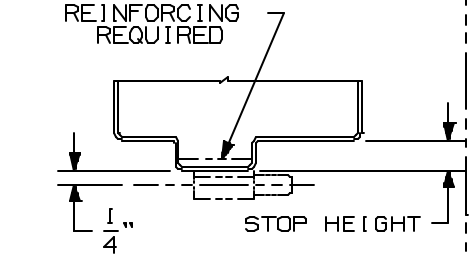
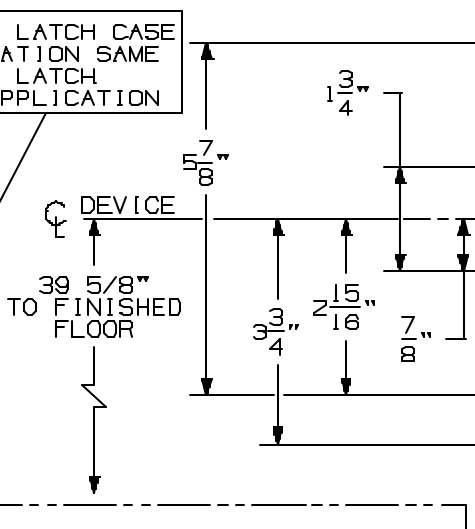
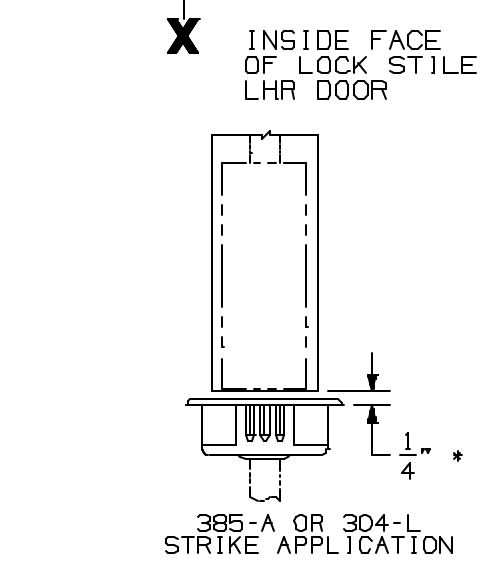
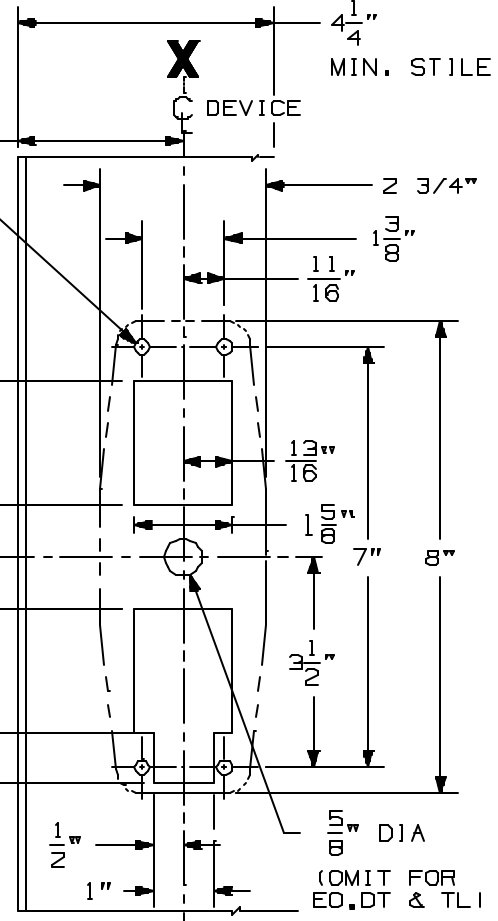


PREP AT BOTTOM SAME AS TOP  
GLASS BEAD KIT AVAILABLE WHEN REQUIRED  
\*1/4" UNDERCUT REQUIRED FOR THIS DEVICE  
NOTE: IT IS RECOMMENDED THE MOUNTING HOLES BE PREPARED IN THE FIELD  
FOR OUTSIDE TRIM PREPARATION, WHEN REQUIRED SEE ADDITIONAL TRIM TEMPLATE



APPLICATION	PREPARATION
SURFACE APPLICATION	#10-24 TAP - 4 PLACES
990 TRIM APPLICATION	1/4 DIA. THIS SIDE
SEX BOLT APPLICATION (SEE NOTE 1)	13/32 DIA. OPPOSITE SIDE - 4 PLACES

NOTE 1: THESE 4 HOLES TO BE PREPARED FOR SURFACE APPLICATION (#10-24 TAP) WHEN USING 696/697 TRIM. DO NOT PREPARE FOR SEX BOLTS



98/9947-F & 98/9948-F SERIES CONCEALED VERTICAL ROD DEVICE



NOTE: SEE MASTER SHEET NO. 10001 FOR SUGGESTED REINFORCING

TEMPLATE NUMBER: 10319\_15

DATE: 2/24/98