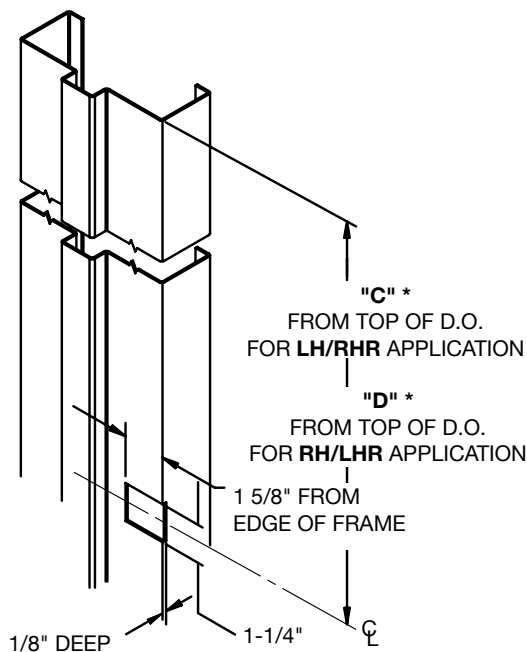
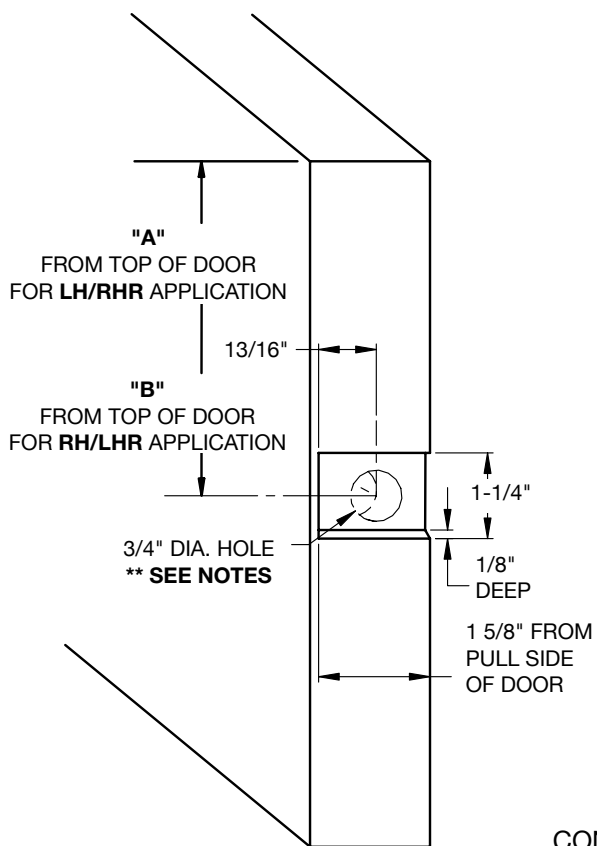


# FRAME & DOOR PREP LEFT HAND APPLICATION SHOWN

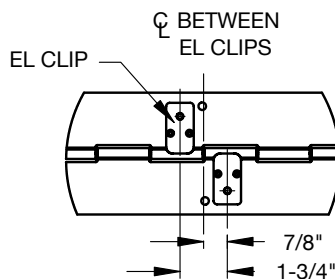
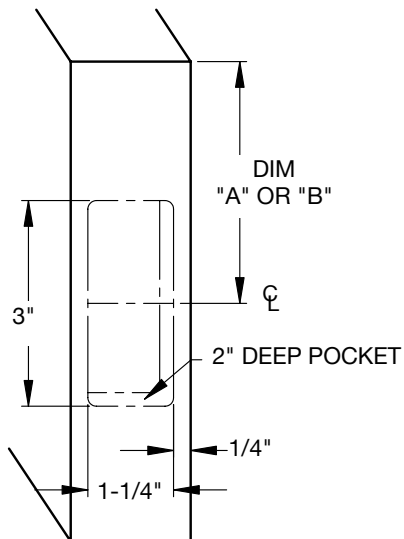
FOR ILLUSTRATION PURPOSES ONLY



\* DIMENSIONS SHOWN STAND TRUE WHEN TAKING INTO CONSIDERATION THE INDUSTRY STANDARD OF 1/8" CLEARANCE BETWEEN TOP OF DOOR OPENING AND TOP OF DOOR.

## \*\* NOTES

FOR WOOD DOORS,  
ADDITIONAL POCKET IS  
NEEDED. SEE BELOW



VISUAL REPRESENTATION  
SHOWING DOOR AND  
FRAME  
PREP LOCATION DIFFER. FOR  
ILLUSTRATION PURPOSE ONLY.



ASSA ABLOY, the global leader  
in door opening solutions

Markar Architectural Products  
Phone: 800-824-3018

Email: [information@markar.com](mailto:information@markar.com)  
Website: [www.markar.com](http://www.markar.com)

EL PREP LOCATIONS,  
ALUMINUM HINGE  
(FM100 & HG105 ONLY)

RELEASE DATE  
1/16/2013

TEMP. NO.  
M80-0180-0003TM

***DIMENSION SHOWN BELOW IS NEEDED*** AT THE TIME OF ORDERING		LH / RHR APPLICATION		RH / LHR APPLICATION	
		HINGE LENGTHS UP TO 83 1/8"			
LOCATION	TOP TO CENTER BETWEEN EL CLIPS	TOP TO CENTER DOOR PREP "A"	TOP TO CENTER FRAME PREP "C"	TOP TO CENTER DOOR PREP "B"	TOP TO CENTER FRAME PREP "D"
ABOVE HINGE CENTER	21 9/16	22 7/16	20 13/16	20 11/16	22 9/16
	25 9/16	26 7/16	24 13/16	24 11/16	26 9/16
	29 9/16	30 7/16	28 13/16	28 11/16	30 9/16
	33 9/16	34 7/16	32 13/16	32 11/16	34 9/16
	37 9/16	38 7/16	36 13/16	36 11/16	38 9/16
STANDARD LOCATION	<b>41 9/16</b>	42 7/16	40 13/16	40 11/16	42 9/16
BELOW HINGE CENTER	45 9/16	46 7/16	44 13/16	44 11/16	46 9/16
	49 9/16	50 7/16	48 13/16	48 11/16	50 9/16

***DIMENSION SHOWN BELOW IS NEEDED*** AT THE TIME OF ORDERING		LH / RHR APPLICATION		RH / LHR APPLICATION	
		HINGE LENGTHS 83 3/16" - 95"			
LOCATION	TOP TO CENTER BETWEEN EL CLIPS	TOP TO CENTER DOOR PREP "A"	TOP TO CENTER FRAME PREP "C"	TOP TO CENTER DOOR PREP "B"	TOP TO CENTER FRAME PREP "D"
ABOVE HINGE CENTER	27 1/2	26 5/8	28 1/2	28 3/8	26 3/4
	31 1/2	30 5/8	32 1/2	32 3/8	30 3/4
	35 1/2	34 5/8	36 1/2	36 3/8	34 3/4
	39 1/2	38 5/8	40 1/2	40 3/8	38 3/4
	43 1/2	42 5/8	44 1/2	44 3/8	42 3/4
STANDARD LOCATION	<b>47 1/2</b>	46 5/8	48 1/2	48 3/8	46 3/4
BELOW HINGE CENTER	51 1/2	50 5/8	52 1/2	52 3/8	50 3/4
	55 1/2	54 5/8	56 1/2	56 3/8	54 3/4
	59 1/2	58 5/8	60 1/2	60 3/8	58 3/4
	63 1/2	62 5/8	64 1/2	64 3/8	62 3/4

***DIMENSION SHOWN BELOW IS NEEDED*** AT THE TIME OF ORDERING		LH / RHR APPLICATION		RH / LHR APPLICATION	
		HINGE LENGTHS 95 1/16" - 118 3/4"			
LOCATION	TOP TO CENTER BETWEEN EL CLIPS	TOP TO CENTER DOOR PREP "A"	TOP TO CENTER FRAME PREP "C"	TOP TO CENTER DOOR PREP "B"	TOP TO CENTER FRAME PREP "D"
ABOVE HINGE CENTER	39 3/8	38 1/2	40 3/8	40 1/4	38 5/8
	43 3/8	42 1/2	44 3/8	44 1/4	42 5/8
	47 3/8	46 1/2	48 3/8	48 1/4	46 5/8
	51 3/8	50 1/2	52 3/8	52 1/4	50 5/8
	55 3/8	54 1/2	56 3/8	56 1/4	54 5/8
STANDARD LOCATION	<b>59 3/8</b>	58 1/2	60 3/8	60 1/4	58 5/8
BELOW HINGE CENTER	63 3/8	62 1/2	64 3/8	64 1/4	62 5/8
	67 3/8	66 1/2	68 3/8	68 1/4	66 5/8
	71 3/8	70 1/2	72 3/8	72 1/4	70 5/8
	75 3/8	74 1/2	76 3/8	76 1/4	74 5/8
	79 3/8	78 1/2	80 3/8	80 1/4	78 5/8



ASSA ABLOY, the global leader in door opening solutions

Markar Architectural Products Phone: 800-824-3018	Email: information@markar.com Website: www.markar.com
EL PREP LOCATIONS, ALUMINUM HINGE (FM100 & HG105 ONLY)	RELEASE DATE <b>1/16/2013</b>
	TEMP. NO. <b>M80-0180-0003TM</b>