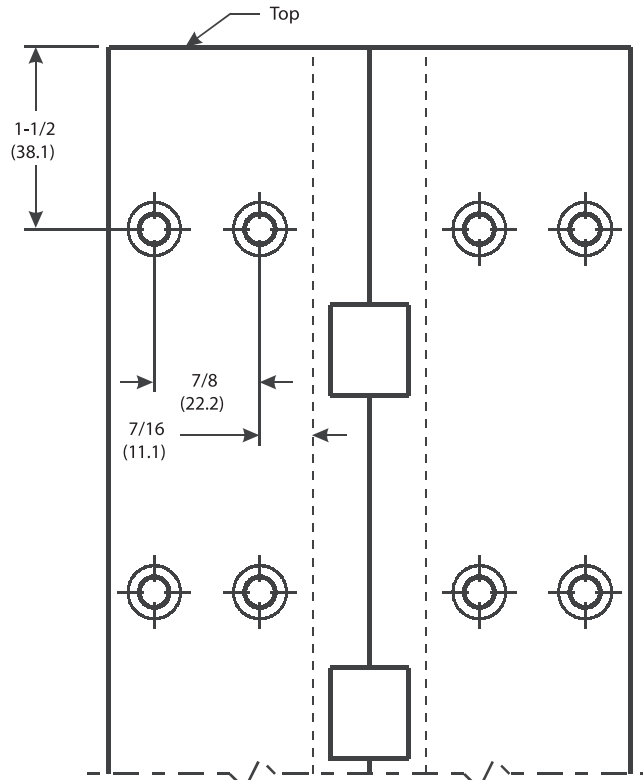
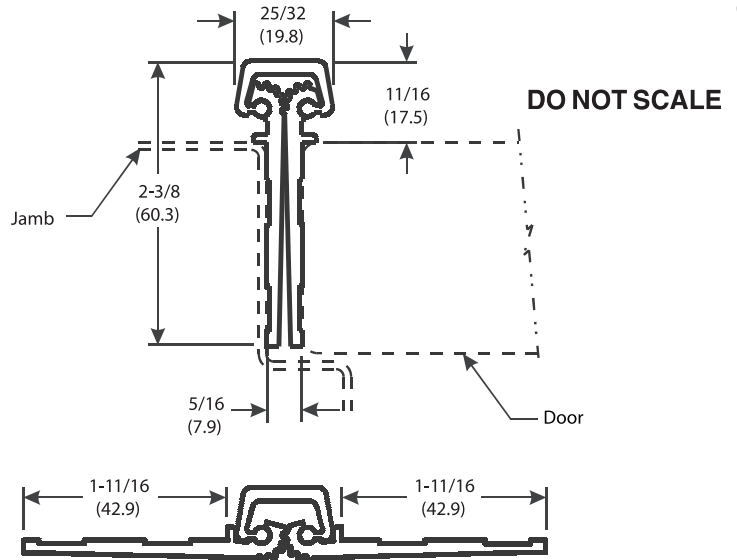
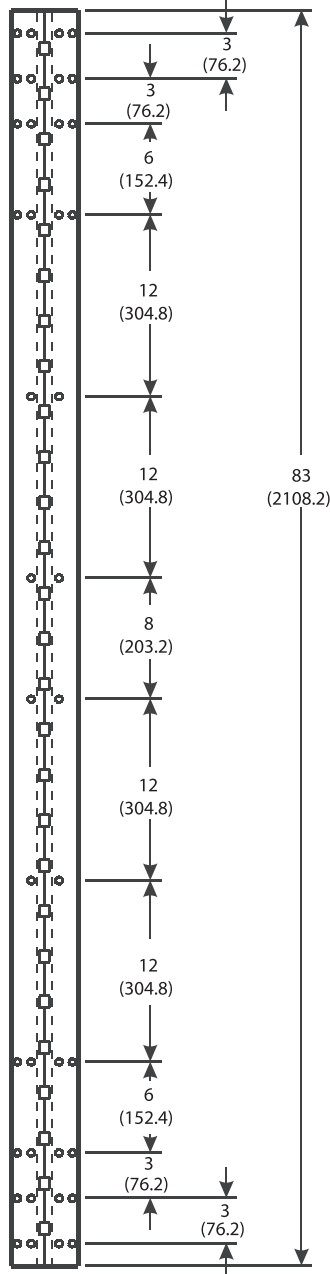


83" - MCK-12HD TEMPLATE EDGE MOUNTED CONTINUOUS ALUMINUM GEARED HINGE



McKINNEY Template Edge Mounted Continuous Aluminum Geared Hinge MCK-12HD is made to conform to this drawing and ANSI/BHMA 156.26
 McKINNEY MCK-12 hinge can be supplied with Electric Functions - See back.
 Machine Screw Size 12-24 x 3/4 F.H. Self-drilling TEK.
 Hinges are Listed for fire applications up to 90 minutes without special preparation; for 3 hour openings using hollow metal doors and hollow metal frames on Masonry/Drywall, Fire Pins (supplied separately) must be used. - See back for locations.

Continued...

These templates can be found on our website at www.mckinneyhinge.com

McKINNEY Products Company • 225 Episcopal Road • Berlin, CT 06037 • PHONE: 800-346-7707 • FAX: 800-541-1073

ASSA ABLOY, the global leader in door opening solutions

TEMPLATE 606-10 Continued.

Effective date: August 20, 2010
 Supercedes: All Previous

McKinney®

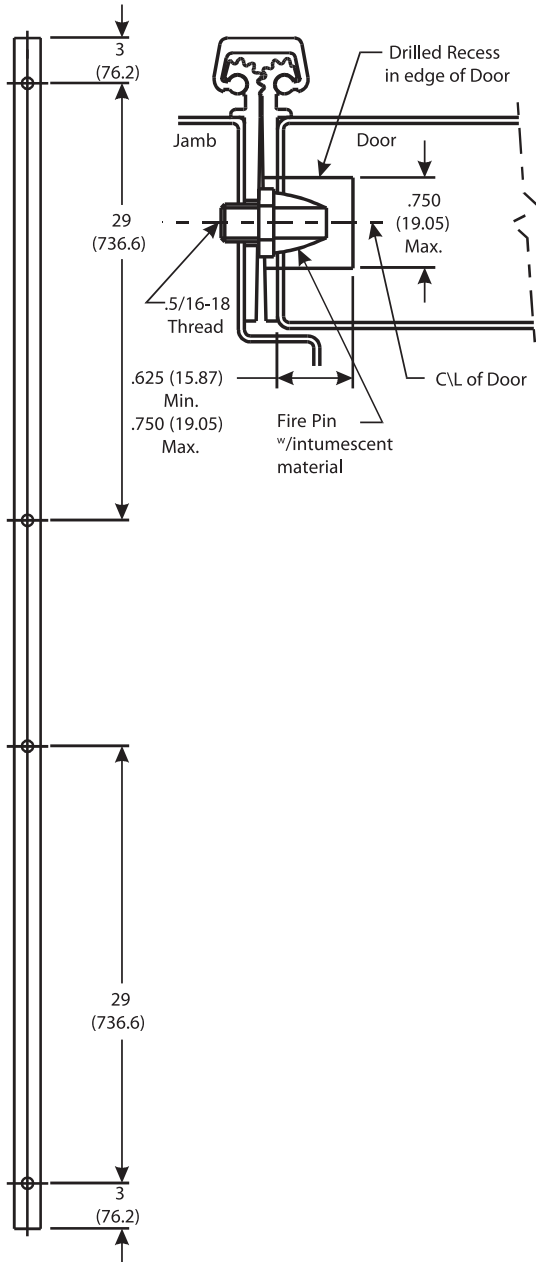
ASSA ABLOY

TEMPLATE 606-10

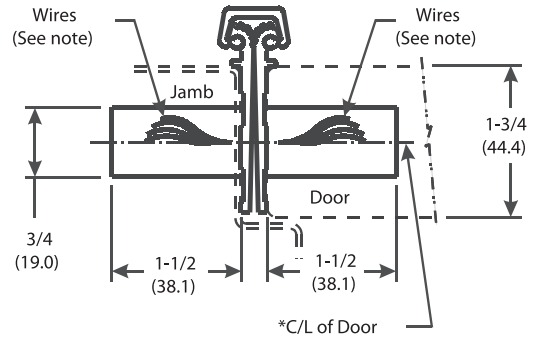
83" - MCK-12HD

TEMPLATE EDGE MOUNTED CONTINUOUS ALUMINUM GEARED HINGE

Fire Pin Application

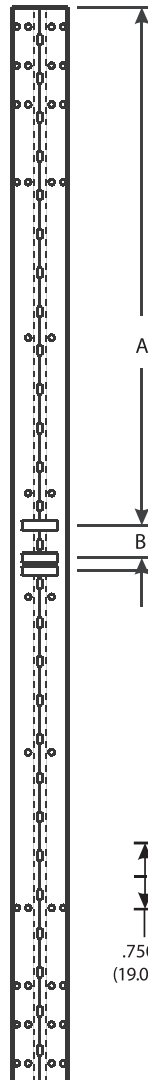


Concealed Circuit (CC) Application

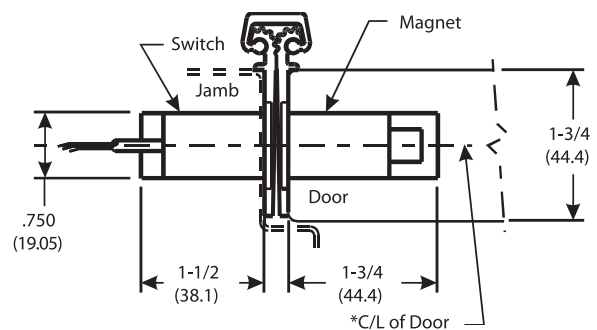


Location	(CC4) 4 Wires	(CC8) 8 Wires	(CC12) 12 Wires
A	43.0 (1092.2)	42.5 (1079.5)	40.0 (1016.0)
B	-	1.0 (25.4)	2.5 (63.5)
C	-	-	1.0 (25.4)

Note: Wires are provided in sets of 4 wires.
 One 3/4" Dia. hole is required in both the door and frame for each 4 wire set.



Magnetic Monitor (MM) Application



*Vertical location from top of hinge=34" (863.6)

These templates can be found on our website at www.mckinneyhinge.com

McKINNEY Products Company • 225 Episcopal Road • Berlin, CT 06037 • PHONE: 800-346-7707 • FAX: 800-541-1073

ASSA ABLOY, the global leader in door opening solutions