

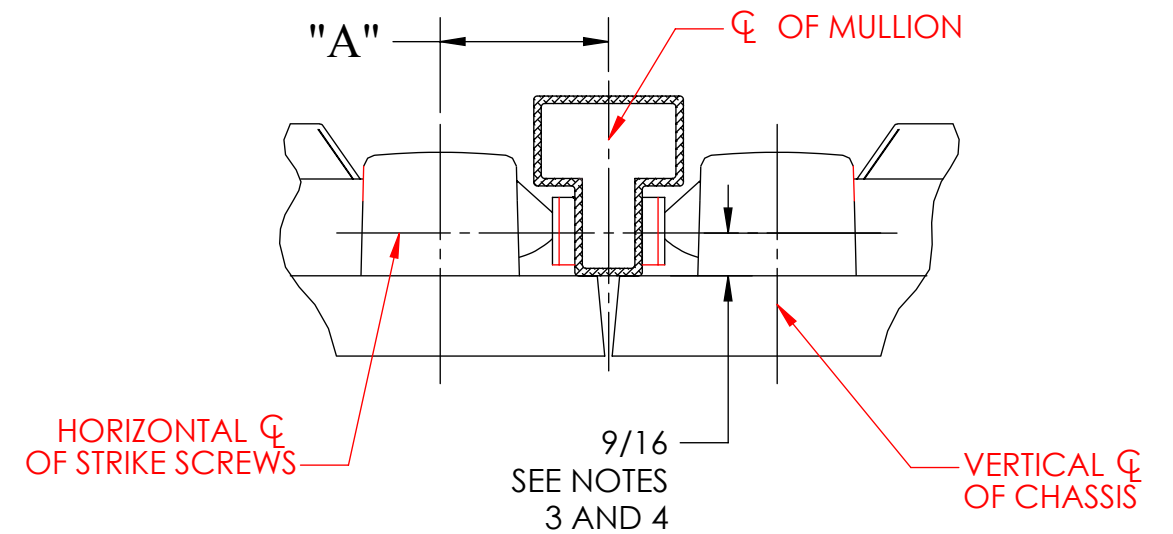
| ALUMINUM MULLION                               |             |
|--|-------------|
| REQUIRED BACKSET                               |             |
| EXIT DEVICE                                    | BACKSET "A" |
| 2800, 3800<br>5100, 5800<br>8800, 9800<br>P800 | 2 5/8       |
| 6500, 8500                                     | 1 7/8       |

| STEEL MULLION                                  |             |
|--|-------------|
| REQUIRED BACKSET                               |             |
| EXIT DEVICE                                    | BACKSET "B" |
| 2800, 3800<br>5100, 5800<br>8800, 9800<br>P800 | 3           |
| 6500, 8500                                     | 2 1/4       |

1. TOLERANCES: FRACTIONAL  $\pm 1/64"$ , DECIMAL  $\pm .015$ .
2. SEE APPROPRIATE DOOR MANUFACTURERS TEMPLATE TO MOUNT EXIT DEVICE.
3. IF DOOR SILENCERS ARE USED ON THE FRAME, DECREASE THIS DIMENSION BY SILENCER HEIGHT.
4. IF "GLASS BEAD" SHIMS ARE USED, INCREASE THIS DIMENSION BY SHIM HEIGHT (1/8" PER SHIM USED).

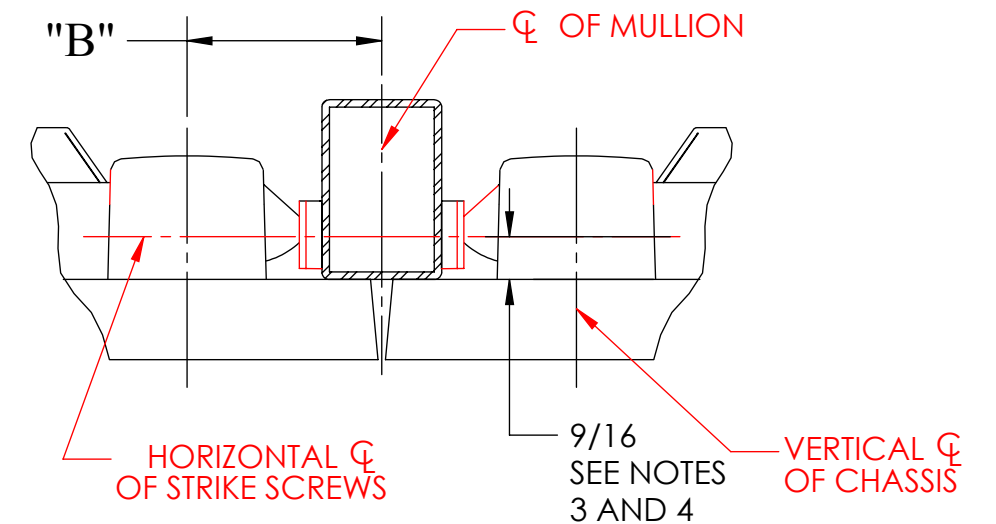
## ALUMINUM MULLION APPLICATIONS

980, L980, 980A, L980A



## STEEL MULLION APPLICATIONS

EL-980, 980S, L980S



**SARGENT** Manufacturing Company  
100 Sargent Drive New Haven, CT 06511

DOOR MANUFACTURERS TEMPLATE:  
656 STRIKE  
DOUBLE DOOR/MULLION APPLICATIONS

RELEASE DATE  
AUG 15 2013  
TEMPLATE NO.  
4715