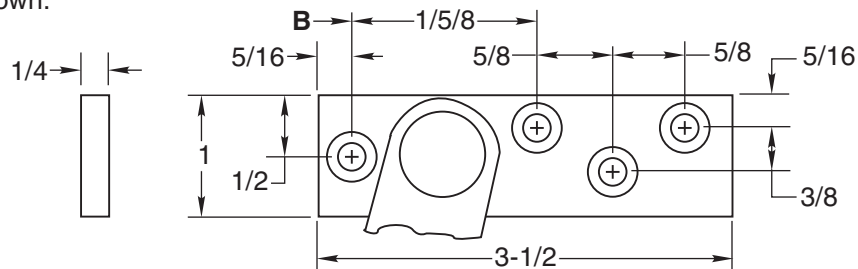


### INSTALLATION INSTRUCTIONS

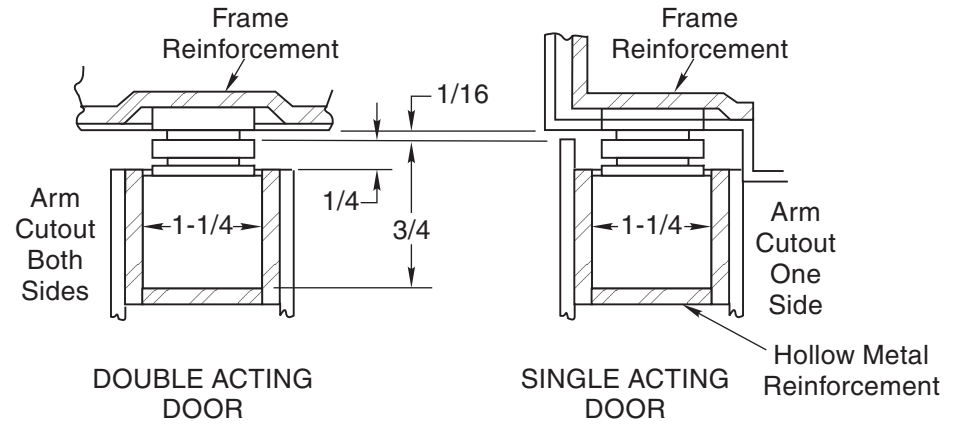
1. Determine degree of hold open or dead stop required. Then select proper dimensions from chart on OH80025B. Add 5/8" to "A" dimension for dead stop.

**NOTE: A, B and C dimensions are measured from hinge center, not edge of door.**

2. Locate "B" dimension on frame and mortise 1/4" deep for jamb bracket as shown.



3. Locate "A" and "F" dimensions on centerline of door and mortise 3/4" deep for channel. 1/16" head clearance shown. Coordinate the arm and rail cutout dimensions if head clearance varies.



4. Locate "C" and "E" dimensions on top of door and mortise 1/4" deep as shown for arm cutout.

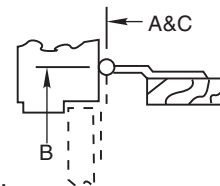
5. Install door stop or holder with screws provided.

#### NOTES:

- All hollow metal frames are to be provided with 3/16" min. thickness x 12" min. length reinforcement plates.
- All hollow metal doors are to be properly reinforced as shown.
- If dead stop is required add 5/8" to "A" dimension as noted on OH80025B.
- A, B and C dimensions are measured from centerline of pivot, not edge of door.
- Left hand shown, right hand opposite.
- All dimensions are given in inches. Metric = decimal (numerator divided by denominator) x 25.4.

#### CAUTION:

Note location of swing clear hinge centerline to determine "A", "B" and "C" dimensions.



Screw Details	
Jamb	Door
1/4-20 x 5/8" FHMS or #14 x 1-1/2" FHWS	5/16-18 x 3/4" FHMS or #18 x 2-1/4" FHWS

## No. 6 Series Concealed Door Stops & Holders

**RIXSON®**

**ASSA ABLOY**

www.rixson.com

TEMPLATE NUMBER

**OH80025A**

DATE

**11-09**

### No. 6 Series Concealed Door Stops Less Spring

\* Butt mounting only.  
Reversible, non-handed

1. See OH80025A for installation instructions.
2. Select proper dimensions noted below.
3. Add 5/8" to "A" dimension for dead stop.
4. All dimensions given in inches.  
Metric = decimal (numerator divided by denominator) x 25.4.

**When Using Center Hung Pivots, Check Pivot Manufacturer's Compatibility Prior to Specifying**

1-3/4" - 2-1/4" Butts & 3/4" Offset Pivot	Device Number			Degree	85°				90°				95°				100°				105°				110°																
	H.O.	Stop	Multi	Door Opening	A	B	C	E	A	B	C	E	A	B	C	E	A	B	C	E	A	B	C	E	A	B	C	E	F												
6-126	6-136	6-146	24 - 28	4	5-1/2	4-3/4	11-7/8	3-11/16	5-3/16	4-1/2	13-1/4	*	3-3/8	*	4-7/8	*	3	14-7/16	*	3-1/16	*	4-9/16	*	1-1/2	*	15-5/8	*	2-13/16	*	4-5/16	*	0	16-7/8	*	2-5/8	*	4-1/8	*	0	16-5/8	16-1/16
6-226	6-236	6-246	28-1/16 - 33	5-3/4	6-9/16	6	15-3/4	5-3/8	6-3/16	5-1/2	15-7/8	5	5-13/16	4-1/2	16-1/2	*	4-11/16	*	5-1/2	*	3-1/2	*	17-3/16	*	4-7/16	*	5-1/4	*	2-1/4	*	18-3/16	*	4-3/16	*	5	*	1	19-1/8	17-5/16		
6-326	6-336	6-346	33-1/16 - 38	9-5/16	7-7/8	7-3/4	19-1/16	8-7/8	7-7/16	7-1/4	19-1/8	8-7/16	7	6-3/4	19-1/8	8	6-9/16	6-1/4	19-1/4	7-11/16	6-1/4	5-1/2	19-5/8	7-7/16	6	4-1/4	20-5/8	18-13/16													
6-426	6-436	6-446	38-1/16 - 43	12-1/4	9-11/16	9-1/2	22-3/8	11-3/4	9-3/16	9	22-3/8	11-1/4	8-11/16	8-1/2	22-3/8	10-3/4	8-3/16	8	22-3/8	10-5/16	7-3/4	7-1/2	22-3/8	10	7-7/16	7-1/4	22-3/8	20-15/16													
6-526	6-536	6-546	43-1/16 - 48	15-7/8	11-1/16	10-3/4	26-1/4	15-1/4	10-7/16	10-1/4	26-1/4	14-5/8	9-13/16	9-1/2	26-1/4	14-1/8	9-5/16	9	26-1/4	13-11/16	8-7/8	8-3/4	26-1/4	13-5/16	8-1/2	8-1/4	26-1/4	22-7/16													

NOTE: A, B, and C dimensions measured from centerline of pivot, not edge of door.

1-3/4" - 2-1/4" Center Hung	Device Number			Degree	85°				90°				95°				100°				105°				110°															
	H.O.	Stop	Multi	Door Opening	A	B	C	E	A	B	C	E	A	B	C	E	A	B	C	E	A	B	C	E	A	B	C	E	F											
6-126	6-136	6-146	-	-	-	-	-	-	-	-	-	-	-	-	-	-	-	-	-	-	-	-	-	-	-	-	-	-	-	-	-	-	-	-	-	-	-	-	-	-
6-226	6-236	6-246	30 - 36	6-3/16	7	6-3/4	15-3/8	5-13/16	6-5/8	6-3/8	15-3/8	5-7/16	6-1/4	6	15-3/8	-	-	-	-	-	-	-	-	-	-	-	-	-	-	-	-	-	-	-	-	-	-	-	17-5/16	
6-326	6-336	6-346	36-1/16 - 41	9-15/16	8-1/2	8-1/4	19-1/8	9-7/16	8	7-3/4	19-1/8	9	7-9/16	7-3/8	19-1/8	8-5/8	7-3/16	7	19-1/8	8-1/4	6-13/16	6-1/2	19-1/8	7-15/16	6-1/2	6-1/4	19-1/8	18-13/16												
6-426	6-436	6-446	41-1/16 - 46	12-13/16	10-1/4	10	22-3/8	12-3/16	9-5/8	9-3/8	22-3/8	11-11/16	9-1/8	9	22-3/8	11-3/16	8-5/8	8-1/2	22-3/8	10-13/16	8-1/4	8	22-3/8	10-7/16	7-7/8	7-3/4	22-3/8	20-15/16												
6-526	6-536	6-546	46-1/16 - 50	16-9/16	11-3/4	11-1/2	26-1/8	15-13/16	11	10-3/4	26-1/8	15-1/8	10-5/16	10	26-1/8	14-5/8	9-13/16	9-1/2	26-1/8	14-3/16	9-3/8	9	26-1/8	13-3/4	8-15/16	8-3/4	26-1/8	22-7/16												

## No. 6 Series Concealed Door Stops & Holders

**RIXSON**  
**ASSA ABLOY**

www.rixson.com

TEMPLATE NUMBER

**OH80025B**

DATE

**11-09**